



DEPARTMENT OF REGULATORY AND ECONOMIC RESOURCES (RER)
BOARD AND CODE ADMINISTRATION DIVISION

MIAMI-DADE COUNTY
PRODUCT CONTROL SECTION
11805 SW 26 Street, Room 208
Miami, Florida 33175-2474
T (786) 315-2590 F (786) 315-2599

NOTICE OF ACCEPTANCE (NOA)

www.miamidadecounty.gov/economy

Rolling Shield Inc.
9875 N.W. 79th Avenue
Hialeah Gardens, FL 33016

SCOPE:

This NOA is being issued under the applicable rules and regulations governing the use of construction materials. The documentation submitted has been reviewed and accepted by Miami-Dade County RER-Product Control Section to be used in Miami-Dade County and other areas where allowed by the Authority Having Jurisdiction (AHJ).

This NOA shall not be valid after the expiration date stated below. The Miami-Dade County Product Control Division (In Miami-Dade County) and/or the AHJ (in areas other than Miami-Dade County) reserve the right to have this product or material tested for quality assurance purposes. If this product or material fails to perform in the accepted manner, the manufacturer will incur the expense of such testing and the AHJ may immediately revoke, modify, or suspend the use of such product or material within their jurisdiction. RER reserves the right to revoke this acceptance if it is determined by Miami-Dade County Product Control Section that this product or material fails to meet the requirements of the applicable building code.

This product is approved as described herein and has been designed to comply with the High Velocity Hurricane Zone of the Florida Building Code.

DESCRIPTION: Series Extruded Aluminum 50mm Slat Roll-Up Shutters – L.M.I.

APPROVAL DOCUMENT: Drawing No. **20-200**, titled "50mm Slat Roll-Up Shutter", prepared by Tilteco Inc., dated 07/14/20, sheets 1 through 16 of 16 including 1A, 3A, 5A, 5B, 14A last revision 1 dated 07/14/2020, signed and sealed by Walter A. Tillit Jr., P.E., bearing the Miami-Dade County Product Control Revision stamp with the Notice of Acceptance number and the expiration date by Miami-Dade County Product Control Section.

MISSILE IMPACT RATING: Large and Small Missile Impact Resistant

LIMITATIONS:

1. Roll-up Mechanism is NOT part of this approval and must be certified by independent testing agency.
2. Minimum separation from interior storm bar to existing glass shall be as shown on sheet 12 of 16.

LABELING: Each unit shall bear a permanent label with the manufacturer's name or logo, city, state, the following statement: "Miami-Dade County Product Control Approved", and NOA number, per TAS-201, TAS-202, and TAS-203, unless otherwise noted herein.

RENEWAL of this NOA shall be considered after a renewal application has been filed and there has been no change in the applicable building code negatively affecting the performance of this product.

TERMINATION of this NOA will occur after the expiration date or if there has been a revision or change in the materials, use, and/or manufacture of the product or process. Misuse of this NOA as an endorsement of any product, for sales, advertising or any other purposes shall automatically terminate this NOA. Failure to comply with any section of this NOA shall be cause for termination and removal of NOA.

ADVERTISEMENT: The NOA number preceded by the words Miami-Dade County, Florida, and followed by the expiration date may be displayed in advertising literature. If any portion of the NOA is displayed, then it shall be done in its entirety.

INSPECTION: A copy of this entire NOA shall be provided to the user by the manufacturer or its distributors and shall be available for inspection at the job site at the request of the Building Official.

This NOA revises NOA #19-0401.04 and consists of this page 1 and evidence submitted pages E-1, E-2, E-3, E-4 and E-5 as well as approval document mentioned above.

The submitted documentation was reviewed by **Helmy A. Makar, P.E., M.S.**



Helmy A. Makar
10/01/2020

NOA No. 20-0811.17
Expiration Date: 06/07/2024
Approval Date: 10/01/2020

Rolling Shield Inc.

NOTICE OF ACCEPTANCE: EVIDENCE SUBMITTED

A. DRAWINGS

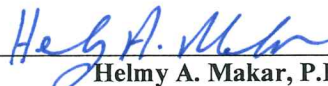
1. Manufacturer's die drawings and sections.
2. Drawing No **09-040**, titled "50mm Slat Roll-Up Shutter", prepared by Tilteco Inc., dated 06/01/09, sheets 1 through 16 of 16 including 1A, 3A, 5A, 5B & 14A, with revision "1" dated 04/03/09, signed and sealed by Walter A. Tillit Jr., P. E.

B. TESTS

1. Test report on: 1) Uniform Static Air Pressure Test per PA 202,
2) Large Missile Impact Test per PA 201
3) Cyclic Wind Pressure Test per PA 203
along with marked-up drawings and installation diagram of Series CD40, of Aluminum Roll-Up Shutters, prepared by Fenestration Testing Laboratory, Inc., Test Reports No.'s **FTL 2485** dated 01/12/2000 and **FTL3013** dated March 13, 2001, signed and sealed by A. P. Gonzalez, P. E.
(Submitted under previous Association NOA # 06-0144)
2. Test report on: 1) Large Missile Impact Test per PA 201,
along with marked-up drawings and installation diagram of Aluminum Storm Bar, prepared by Fenestration Testing Laboratory, Inc., Report No.'s **FTL 2637, 2639, 2640, 2641 and 2642**, all dated 07/25/2000, signed and sealed by A. P. Gonzalez, P. E.
(Submitted under previous Association NOA # 06-0144)
3. Test report on: 1) Simple Loading Test, per FBC
along with marked-up drawings and installation of Aluminum Storm Bar, prepared by Fenestration Testing Laboratory, Inc., Report No. **FTL 3013**, dated 03/13/2001, signed and sealed by A. Acevedo, P. E.
(Submitted under previous Association NOA # 06-0144)
4. Test report on: 1) Impact Test, per FBC, ASTM D 256,
2) Flexural Test, per FBC, ASTM D790
3) Tensile Property Tests, per FBC, ASTM D638
along with marked-up drawings and installation of plastic sample, prepared by Certified Testing Laboratories, Inc., Report No. **CTL 0410G**, dated 04/09/2001 signed and sealed by Ramesh Patel, P. E.
(Submitted under previous Association NOA # 06-0144)

C. CALCULATIONS

1. Comparative analysis for slats; storm bars, headers, tracks, mullions and anchors, using rational analysis dated 04/23/09, pages 1 through 201 of 201, prepared by Tilteco, Inc. signed and sealed by Walter A. Tillit Jr., P. E.
(Submitted under Association NOA # 09-0612)



Helmy A. Makar, P.E., M.S.
Product Control Section Supervisor
NOA No. 20-0811.17
Expiration Date: 06/07/2024
Approval Date: 10/01/2020

Rolling Shield Inc.

NOTICE OF ACCEPTANCE: EVIDENCE SUBMITTED

D. QUALITY ASSURANCE

1. Miami Dade Building Code Compliance Office (BCCO).

E. MATERIAL CERTIFICATIONS

1. None.

F. STATEMENTS

1. Statement Letter of product compliance to FBC and “No financial interest” dated April 09, 2007, signed and sealed by Walter A. Tillit Jr., P. E.
(Submitted under Association NOA # 09-0612)
2. Laboratory compliance letter for Test Report No. **FTL. 2637, 2639, 2640, 2641 and 2642**, issued by Fenestration Testing Laboratory, Inc., dated July 25, 2000, signed and sealed by A. P. Gonzalez, P. E.
(Submitted under previous Association NOA # 06-0144)
3. Laboratory compliance letter for Test Report No. **FTL 3013**, issued by Fenestration Testing Laboratory, Inc., dated 03/13/2001, signed and sealed by A. Acevedo, P.E.
(Submitted under previous Association NOA # 06-0144)
4. Laboratory compliance letter for Test Report No. **CTL 0410G**, issued by Certified Testing Laboratories, Inc., dated 04/09/2001, signed and sealed by Ramesh Patel, P. E.
(Submitted under previous Association NOA # 06-0144)


G. OTHERS

1. Notice of Acceptance No. **05-0929.02**, issued to Rolling Shield, Inc. for their Series “Extruded Aluminum 50mm Slat Roll-Up Shutters”, approved on 05/07/07 and expiring on 06/07/09.
2. This NOA is approved as a Member of the National Shutter Association, Inc.
(Submitted under Association NOA # 09-0612)
3. Release letter issued by National Shutter Association, Inc on 06/29/09 for “40mm Rolling Shield Shutters, signed by Sam Downs, Association President.
4. Acknowledgement letter issued by Rolling Shield, Inc. on 06/29/09, signed by Jose A. Delgado, President of Rolling Shield, Inc.
5. Acceptance letter issued to Rolling Shield, Inc. on 07/01/09, signed by Jose A. Delgado, President of Rolling Shield, Inc. and signed by Rolf – Christian Friedrich, Miami-Dade County BCCO – Product Control Engineer 1.

EVIDENCE SUBMITTED UNDER PREVIOUS APPROVAL # 14-0306.06

A. DRAWINGS

1. *Drawing No. 14-015, titled “50mm Slat Roll-Up Shutter”, prepared by Tilteco Inc., dated 03/03/14, sheets 1 through 16 of 16 including 1A, 3A, 5A, 5B & 14A, last revision 1 dated 03/03/14, signed and sealed by Walter A. Tillit Jr., P.E.*



Helmy A. Makar, P.E., M.S.
Product Control Section Supervisor
NOA No. 20-0811.17
Expiration Date: 06/07/2024
Approval Date: 10/01/2020

Rolling Shield Inc.

NOTICE OF ACCEPTANCE: EVIDENCE SUBMITTED

B. TESTS

1. *None.*

C. CALCULATIONS

1. *None.*

D. QUALITY ASSURANCE

1. *By Miami- Dade County Department of Regulatory and Economic Resources (RER).*

E. MATERIAL CERTIFICATIONS

1. *None.*

F. STATEMENTS

1. *Statement Letter of product compliance to FBC, 2010, prepared by Tilteco, Inc., dated February 28, 2014, signed and sealed by Walter A. Tillit Jr., P.E.*

G. OTHERS

1. *This Notice of Acceptance No. 14-0306.06, issued to Rolling Shield, Inc. for their Series "Extruded Aluminum 50mm Slat Roll-Up Shutters".*

EVIDENCE SUBMITTED UNDER PREVIOUS APPROVAL #15-0528.08

A. DRAWINGS

1. *Drawing No. 15-129, titled "50mm Slat Roll-Up Shutter", prepared by Tilteco Inc., dated 05/13/15, sheets 1 through 16 of 16 including 3A, 5A, 5B, last revision 1 dated 05/13/15, signed and sealed by Walter A. Tillit Jr., P.E.*

B. TESTS

1. *None.*

C. CALCULATIONS

1. *Anchors calculation, using rational analysis dated 05/12/15, pages 1 through 30 of 30, prepared by Tilteco, Inc. signed and sealed by Walter A. Tillit Jr., P.E.*

D. QUALITY ASSURANCE


1. *By Miami- Dade County Department of Regulatory and Economic Resources (RER).*

E. MATERIAL CERTIFICATIONS

1. *None.*

F. STATEMENTS

1. *Statement Letter of product compliance to FBC, 2014, prepared by Tilteco, Inc., dated May 13, 2015, signed and sealed by Walter A. Tillit Jr., P.E.*



Helmy A. Makar, P.E., M.S.
Product Control Section Supervisor
NOA No. 20-0811.17
Expiration Date: 06/07/2024
Approval Date: 10/01/2020

Rolling Shield Inc.

NOTICE OF ACCEPTANCE: EVIDENCE SUBMITTED

EVIDENCE SUBMITTED UNDER PREVIOUS APPROVAL #17-0919.14

A. DRAWINGS

1. *Drawing No. 17-232, titled "50mm Slat Roll-Up Shutter", prepared by Tilteco Inc., dated 08/21/17, sheets 1 through 16 of 16 including 1A, 3A, 5A, 5B, 14A last revision 1 dated 08/21/2017, signed and sealed by Walter A. Tillit Jr., P.E.*

B. TESTS

1. *None.*

C. CALCULATIONS

1. *Structural calculation, using rational analysis dated 08/21/17, pages 1 through 27 of 27, prepared by Tilteco, Inc. signed and sealed by Walter A. Tillit Jr., P.E.*

D. QUALITY ASSURANCE

1. *By Miami- Dade County Department of Regulatory and Economic Resources (RER).*

E. MATERIAL CERTIFICATIONS

1. *None.*

F. STATEMENTS

1. *Statement Letter of product compliance to FBC, 2017, prepared by Tilteco, Inc., dated August 21, 2017, signed and sealed by Walter A. Tillit Jr., P.E.*

EVIDENCE SUBMITTED UNDER PREVIOUS APPROVAL #19-0401.04

A. DRAWINGS

1. *None.*

B. TESTS

1. *None.*

C. CALCULATIONS

1. *None.*

D. QUALITY ASSURANCE

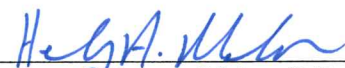
1. *By Miami- Dade County Department of Regulatory and Economic Resources (RER).*

E. MATERIAL CERTIFICATIONS

1. *None.*

F. STATEMENTS

1. *Statement Letter of product compliance to FBC, 2017, prepared by Tilteco, Inc., dated March 18, 2019, signed and sealed by Walter A. Tillit Jr., P.E.*



Helmy A. Makar, P.E., M.S.
Product Control Section Supervisor

NOA No. 20-0811.17

Expiration Date: 06/07/2024

Approval Date: 10/01/2020

Rolling Shield Inc.

NOTICE OF ACCEPTANCE: EVIDENCE SUBMITTED

NEW EVIDENCE SUBMITTED

A. DRAWINGS

1. *Drawing No. 20-200, titled "50mm Slat Roll-Up Shutter", prepared by Tilteco Inc., dated 07/14/20, sheets 1 through 16 of 16 including 1A, 3A, 5A, 5B, 14A last revision 1 dated 07/14/2020, signed and sealed by Walter A. Tillit Jr., P.E.*

B. TESTS

1. *None.*

C. CALCULATIONS

1. *None.*

D. QUALITY ASSURANCE

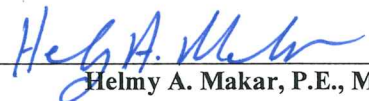
1. *By Miami- Dade County Department of Regulatory and Economic Resources (RER).*

E. MATERIAL CERTIFICATIONS

1. *None.*

F. STATEMENTS

1. *Statement Letter of product compliance to FBC, 2017, prepared by Tilteco, Inc., dated March 18, 2019, signed and sealed by Walter A. Tillit Jr., P.E.*
2. *Statement Letter of product compliance to FBC, 2020, prepared by Tilteco, Inc., dated August 18, 2020, signed and sealed by Walter A. Tillit Jr., P.E.*



Helmy A. Makar, P.E., M.S.
Product Control Section Supervisor
NOA No. 20-0811.17
Expiration Date: 06/07/2024
Approval Date: 10/01/2020

GENERAL NOTES:

1. ROLL-UP SHUTTER SHOWN ON THIS PRODUCT APPROVAL DOCUMENT (P.A.D.) HAS BEEN VERIFIED FOR CODE COMPLIANCE IN ACCORDANCE WITH THE **2020 (7th EDITION)** AND **2017 (6th EDITION)** OF THE FLORIDA BUILDING CODE. THIS ROLL-UP SHUTTER MAY BE INSTALLED AT HIGH VELOCITY HURRICANE ZONES (MIAMI-DADE/BROWARD COUNTIES).

DESIGN WIND LOADS SHALL BE DETERMINED AS PER SECTION **1620** OF THE ABOVE MENTIONED CODE, USING **ASCE 7-16 (FBC 2020)** & **ASCE 7-10 (FBC 2017)** AND SHALL NOT EXCEED THE MAXIMUM (A.S.D.) DESIGN PRESSURE RATINGS INDICATED ON SHEETS 4, 5, 5A, 5B, 6 & 10 THRU 16.

IN ORDER TO VERIFY THE ABOVE CONDITION, ULTIMATE DESIGN WIND LOADS DETERMINED PER **ASCE 7-16 AND ASCE 7-10** SHALL BE FIRST REDUCED TO A.S.D. DESIGN WIND LOADS BY MULTIPLYING THEM BY 0.6 IN ORDER TO COMPARE THESE W/ MAX. (A.S.D.) DESIGN PRESSURE RATINGS INDICATED ON SHEETS 4, 5, 5A, 5B, 6 & 10 THRU 16.

IN ORDER TO VERIFY THAT COMPONENTS AND ANCHORS ON THIS P.A.D. AS TESTED WERE NOT OVER STRESSED, A 33% INCREASE IN ALLOWABLE STRESS FOR WIND LOADS WAS **NOT** USED IN THEIR ANALYSIS. FASTENERS SPACING INTO WOOD HAS BEEN DETERMINED IN ACCORDANCE WITH **N.D.S. 2018**.

ROLL-UP SHUTTER'S ADEQUACY FOR IMPACT AND FATIGUE RESISTANCE HAS BEEN VERIFIED IN ACCORDANCE WITH SECTION **1626** OF THE ABOVE MENTIONED CODE AS PER TAS-201, 202 & 203 PROTOCOLS, AS PER FENESTRATION TESTING LAB. REPORTS # 2512, 2514, 2605, 2671, 2637, 2640, 2641, 2642, 2736, 2737 & 3013.

2. ALL ALUMINUM EXTRUSIONS SHALL BE ALUMINUM ASSOCIATION 6063-T6 ALLOY & TEMPER (UNLESS OTHERWISE NOTED). ALL ALUMINUM EXTRUSIONS IN CONTACT WITH DISSIMILAR MATERIALS SHALL COMPLY WITH SECTION III-6 OF THE 2015 ALUMINUM DESIGN MANUAL.

3. ALL SCREWS TO BE STAINLESS STEEL 304 OR 316 AISI SERIES OR CORROSION RESISTANT COATED CARBON STEEL AS PER DIN 50018 W/ 50 ksi YIELD STRENGTH AND 90 ksi TENSILE STRENGTH. ALL TEK SCREWS SHALL BE AS MANUFACTURED BY ITW BUILDEX, INC. AND SHALL COMPLY W/ FLORIDA BUILDING CODE SECTION 2411.3.3.4.

4. BOLTS TO BE ASTM A-307 GALVANIZED STEEL OR AISI 304 SERIES STAINLESS STEEL, WITH 35 ksi MINIMUM YIELD STRENGTH.

5. STORM BARS AT FLOOR AND CEILING MOUNTING INSTALLATIONS MAY BE REMOVABLE AT NON HURRICANE CONDITIONS. HOWEVER, EACH STORM BAR SHALL BEAR A PERMANENT LABEL IN A VISIBLE PLACE WITH A WARNING NOTE INSTRUCTING THE TENANT OR OWNER THAT STORM BARS MUST BE INSTALLED WITH CORRESPONDING HARDWARE DURING PERIODS OF HURRICANE WARNING AND THAT ROLL UP SHUTTERS WILL NOT OFFER HURRICANE PROTECTION UNLESS ALL STORM BAR ARE INSTALLED AS DIRECTED.

6. REMOVABLE STORM BARS SHALL BE STORED IN A CONSPICUOUS PLACE WITH EASY AND IMMEDIATE ACCESS SO THAT THEY CAN BE REACHED AND INSTALLED ANY TIME (HURRICANE CONDITIONS OR NOT) SLATS ARE ROLLED DOWN. THE EFFECT OF THE SLATS ROLLED DOWN WITHOUT STORM BARS IS; THOSE SLATS WILL SLIP OUT OF TRACK DUE TO THE DEFLECTION CAUSED BY WIND FORCES. WHEN REMOVING STORM BARS, ONE STORM BAR SHALL ALWAYS BE LEFT INSTALLED (SHALL NOT BE REMOVED). THIS CONDITION IS ONLY REQUIRED FOR HEADER SPANS EQUAL OR GREATER THAN 12'-0".

7. ANCHORS TO WALL FOR SIDE RAILS & BOX CONNECTION SHALL BE AS FOLLOWS (UNLESS OTHERWISE NOTED):

(A) TO EXISTING POURED CONCRETE (Min. f'c=3192 psi):
- 1/4" TAPCON ANCHORS, AS MANUFACTURED BY ITW BUILDEX, INC. USE 3" MIN. EDGE DISTANCE.

NOTES:

- A.1) MINIMUM EMBEDMENT OF TAPCON ANCHORS INTO POURED CONCRETE IS 1 3/4". NO EMBEDMENT INTO STUCCO SHALL BE CONSIDERED AS PART OF THE REQUIRED EMBEDMENT.
- A.2) IN CASE THAT PRECAST STONE, PRECAST CONCRETE PANELS, OR PAVERS BE FOUND ON THE EXISTING WALL OR FLOOR, ANCHORS SHALL BE LONG ENOUGH TO REACH THE MAIN STRUCTURE BEHIND SUCH PANELS. ANCHORAGE SHALL BE AS INDICATED ON NOTE A.1 ABOVE.

(B) TO EXISTING CONCRETE BLOCK WALL (ASTM C-90):
- 1/4" TAPCON ANCHORS AS MANUFACTURED BY ITW BUILDEX, INC. USE 3" MIN. EDGE DISTANCE.

NOTES:

- B.1) MINIMUM EMBEDMENT OF TAPCON ANCHORS INTO CONCRETE BLOCK UNIT SHALL BE 1 1/4".
- B.2) IN CASE THAT PRECAST STONE OR PRECAST CONCRETE PANELS BE FOUND ON THE EXISTING WALL, ANCHORS SHALL BE LONG ENOUGH TO REACH THE MAIN STRUCTURE BEHIND SUCH PANELS. ANCHORAGE SHALL BE AS INDICATED ON NOTE B.1 ABOVE.

(C) TO EXISTING WOOD FRAME BUILDING: SOUTHERN PINE #2 W/ G=0.55 MIN.
- 1/4" LAG SCREWS PER N.D.S.

NOTES:

- C.1) MINIMUM THREADED PENETRATION OF LAG SCREWS INTO THE WOOD FRAME UNIT SHALL BE 1 1/2" NO THREADED PENETRATION INTO STUCCO SHALL BE CONSIDERED AS PART OF THE REQUIRED THREADED PENETRATION.
- C.2) MINIMUM EDGE DISTANCE OF LAG SCREWS INTO WOOD SHALL BE AS INDICATED ON SHEET 11.
- C.3) IN CASE THAT PRECAST STONE, PRECAST CONCRETE OR BRICK PANELS, VENEER OR PAVERS BE FOUND ON THE EXISTING WALL, ANCHORS SHALL BE LONG ENOUGH TO REACH THE MAIN SUBSTRATE BEHIND SUCH PANELS. MINIMUM THREADED PENETRATION SHALL BE AS INDICATED ON NOTE C.1 ABOVE.

- 8. ANCHORS SHALL BE INSTALLED FOLLOWING ALL OF THE RECOMMENDATIONS AND SPECIFICATIONS OF THE ANCHOR'S MANUFACTURER.
- 9. ANCHORS REQUIRED FOR STORM BARS, HEADER & MULLIONS CONNECTIONS TO CONCRETE (MIN. f'c=3000 PSI) SHALL BE AS SPECIFIED ON APPLICABLE SECTIONS SHOWN ON SHEETS 5, 5A, 5B, 6, 7, 8 & 10 OF 16 RESPECTIVELY.

- CALK-IN ANCHORS TO BE AS MANUFACTURED BY DEWALT, INC.
- TAPCON ANCHORS AS MANUFACTURED BY ITW BUILDEX, INC.
- KWIK BOLT TZ EXPANSION ANCHORS AS MANUFACTURED BY HILTI, INC.

MINIMUM EDGE DISTANCE AND SPACING FOR ABOVE MENTIONED ANCHORS SHALL BE AS INDICATED BELOW OR AT ABOVE MENTIONED SHEET. EDGE DISTANCE AND EMBEDMENTS ARE BEYOND ANY FINISH MATERIAL.

ANCHOR	SPACING	EDGE DISTANCE	MINIMUM EMBEDMENT	
			POURED CONCRETE	CONCRETE BLOCK
-1/4" TAPCON	3" (TO CONC.)	3" (TO CONC.)	1 3/4" (Min. f'c=3192 psi)	-
-1/4" TAPCON	4" (TO BLOCK)	2" (TO BLOCK)	-	1/4" (ASTM C-90)
-1/4" CALK-IN	2 1/2"	3"	7/8" (Min. f'c=3000 psi)	-
-3/8" CALK-IN	3 3/4"	4 1/2"	1 1/4" (Min. f'c=3000 psi)	-
-1/2" CALK-IN	5"	6"	1 1/2" (Min. f'c=3000 psi)	-
-5/16" TAPCON XL	3 3/4"	4 1/2"	1 3/4" (Min. f'c=3000 psi)	2 1/4" (ASTM C-90, GROUT FILLED)
-3/8" KWIK BOLT TZ	6"	4 3/8"	2" (Min. f'c=3000 psi)	-
-1/2" KWIK BOLT TZ	9 3/4"	6"	3 1/4" (Min. f'c=3000 psi)	-

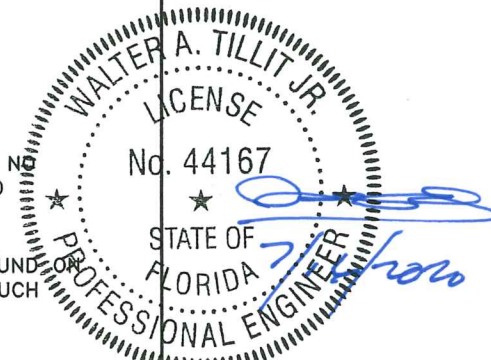
10. POLYETHYLENE BLOCKS USED AT SPRING LOADED SYSTEM FOR REMOVABLE STORM BARS SHALL COMPLY WITH THE FOLLOWING SPECIFICATIONS:

ASTM DESIGNATION	PROPERTIES	VALUE
D256	IMPACT RESISTANCE	7.95 FT-Lb/in (AVERAGE)
D638	TENSILE CAPACITY	4243 psi (AVERAGE)
D790	FLEXURAL CAPACITY	1012 psi (AVERAGE)

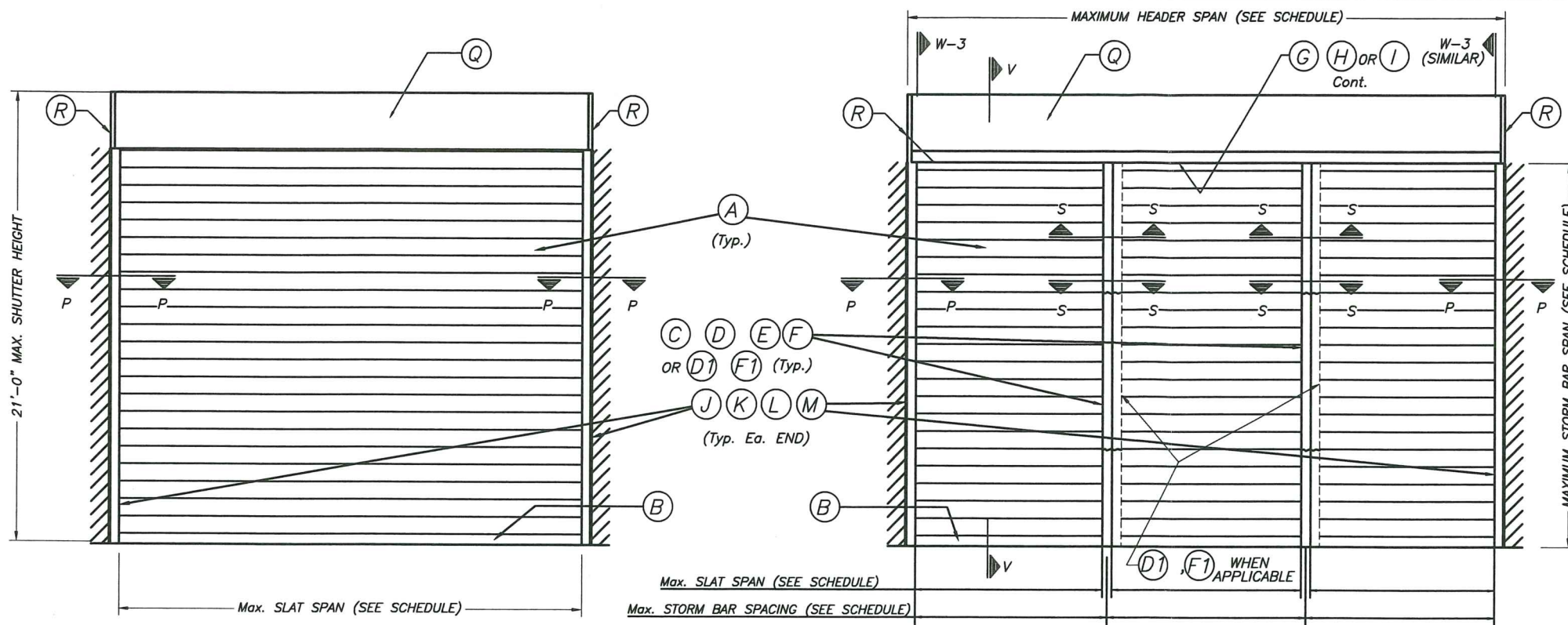
- 11. IT SHALL BE THE RESPONSIBILITY OF THE CONTRACTOR TO VERIFY THE SOUNDNESS OF THE STRUCTURE WHERE SHUTTER IS TO BE ATTACHED TO INSURE PROPER ANCHORAGE. THIS SHUTTER SHALL ONLY BE ATTACHED TO CONCRETE, BLOCK OR WOOD FRAME BUILDINGS.
- 12. THE INSTALLATION CONTRACTOR IS TO SEAL/CAULK ALL SHUTTER COMPONENT EDGES WHICH REMAIN IN CONTINUOUS CONTACT WITH THE BUILDING TO PREVENT WIND/RAIN INTRUSION. CAULK AND SEAL SHUTTER TRACKS ALL AROUND FULL LENGTH.
- 13. SHUTTER MANUFACTURER'S LABEL SHALL BE PLACED ON THE EXPOSED SURFACE OF THE SIDE RAIL APPROXIMATELY 4" ABOVE THE BOTTOM OF SUCH RAIL. LABEL SHALL READ AS FOLLOWS:
ROLLINGSHIELD, INC.
HIALEAH GARDENS, FL
MIAMI-DADE COUNTY PRODUCT CONTROL APPROVED.
- 14. ROLL-UP MECHANISM NOT PART OF THIS APPROVAL.
- 15. ROLL-UP SHUTTER INSTALLATION SHALL COMPLY WITH SPECS INDICATED IN THIS DRAWING PLUS ANY BUILDING AND ZONING REGULATIONS PROVIDED BY THE JURISDICTION WHERE PERMIT IS APPLIED TO.
- 16. (a) THIS P.A.D. PREPARED BY THIS ENGINEER IS GENERIC AND DOES NOT PROVIDE INFORMATION FOR A SITE SPECIFIC PROJECT; i.e. WHERE THE SITE CONDITIONS DEVIATE FROM THE P.A.D.
(b) CONTRACTOR TO BE RESPONSIBLE FOR THE SELECTION, PURCHASE AND INSTALLATION INCLUDING LIFE SAFETY OF THIS PRODUCT, BASED ON THIS P.A.D. PROVIDED HE/SHE DOES NOT DEVIATE FROM THE CONDITIONS DETAILED ON THIS DOCUMENT. CONSTRUCTION SAFETY AT SITE IS THE CONTRACTOR'S RESPONSIBILITY.
(c) THIS P.A.D. WILL BE CONSIDERED INVALID IF ALTERED BY ANY MEANS.
(d) SITE SPECIFIC PROJECTS SHALL BE PREPARED BY A FLORIDA REGISTERED ENGINEER OR ARCHITECT WHICH WILL BECOME THE ENGINEER OF RECORD (E.O.R.) FOR THE PROJECT AND WHO WILL BE RESPONSIBLE FOR THE PROPER USE OF THE P.A.D. ENGINEER OF RECORD, ACTING AS A DELEGATED ENGINEER TO THE P.A.D. ENGINEER, SHALL SUBMIT TO THIS LATTER THE SITE SPECIFIC DRAWINGS FOR REVIEW.
(e) ORIGINAL P.A.D. SHALL BEAR THE DATE AND ORIGINAL SEAL AND SIGNATURE OF THE PROFESSIONAL ENGINEER OF RECORD THAT PREPARED IT.

PRODUCT REVISED
as complying with the Florida
Building Code
Acceptance No 20-0811-17
Expiration Date 06/07/2024
By *[Signature]*
Miami Dade Product Control

THIS DRAWING SHALL ONLY BE USED TO OBTAIN PERMITS IN THE STATE OF FLORIDA



© 2020 TILTECO INC.		50mm SLAT ROLL-UP SHUTTER		DRAWN BY: M.P
TILTECO INC.		ROLLINGSHIELD, INC.		7/14/2020 DATE
TILLIT TESTING & ENGINEERING COMPANY 6355 N.W. 36th St., Ste. 305, VIRGINIA GARDENS, FL 33166 Phone : (305)871-1530 · Fax : (305)871-1531 e-mail: tilteco@aol.com		9875 N.W. 79th AVE. HIALEAH GARDENS, FL 33016 Phone : (305)436-6661 Fax : (305)436-5523		20-200 DRAWING No
CA-0006719 WALTER A. TILLIT Jr. P.E. FLORIDA Lic. # 44167	REV. No	DESCRIPTION	DATE	REV. No
	1	OLD 17-232	7/14/2020	
	2			
				SHEET 1 OF 16

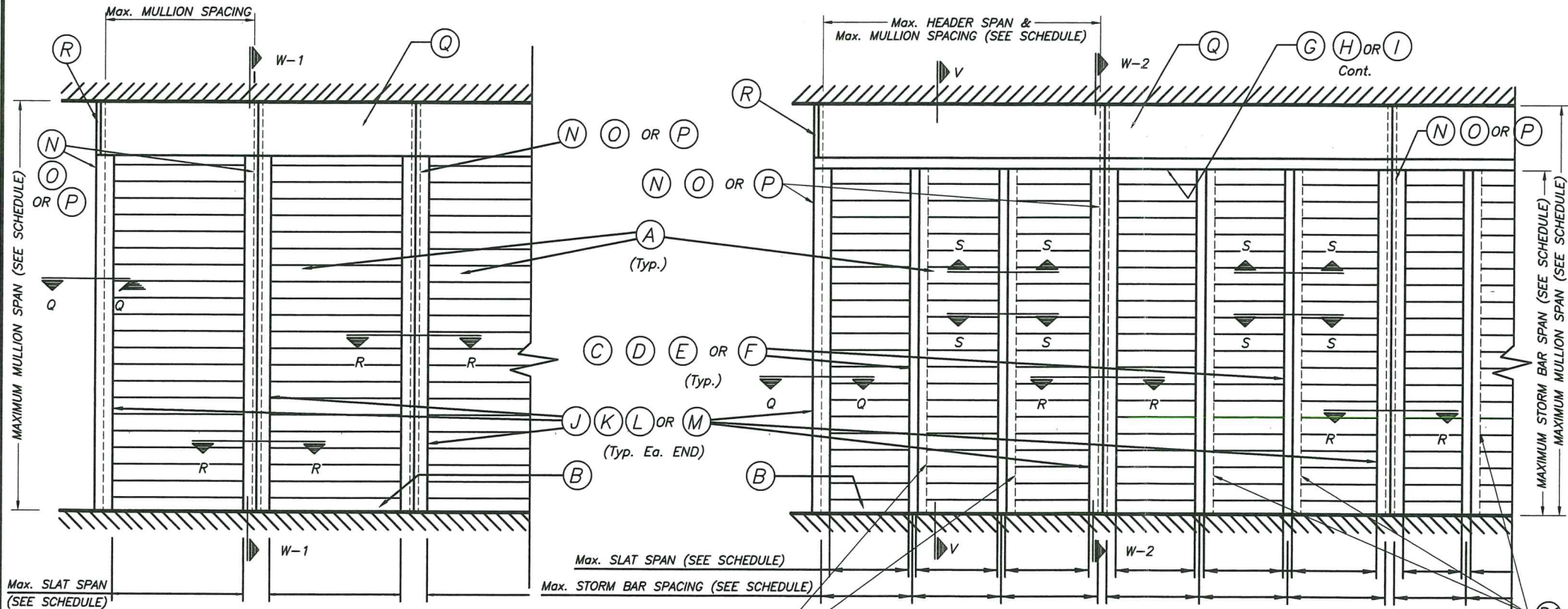


TYPICAL SINGLE UNIT ELEVATION (NO STORM BARS REQUIRED)

NOTE: SEE SHEET 2, 3, 3A & 9 OF 16 FOR COMPONENTS NOMENCLATURE.

TYPICAL MULTIPLE UNIT ELEVATION (STORM BARS REQUIRED)

NOTE: SEE SHEET 2, 3, 3A & 9 OF 16 FOR COMPONENTS NOMENCLATURE.



TYPICAL CONSECUTIVE SINGLE UNIT ELEVATION (NO STORM BARS REQUIRED)

NOTE: SEE SHEET 2, 3, 3A & 9 OF 16 FOR COMPONENTS NOMENCLATURE.

TYPICAL CONSECUTIVE MULTIPLE UNIT ELEVATION (STORM BARS REQUIRED)

NOTE: SEE SHEET 2, 3, 3A & 9 OF 16 FOR COMPONENTS NOMENCLATURE.

WARNING:
 THE EXTRUSIONS, PARTS AND COMPONENTS ILLUSTRATED ON THIS PRODUCT APPROVAL DRAWING ARE GENUINE ROLLINGSHIELD PRODUCTS. TO PRESERVE THE INTEGRITY OF DESIGN AND PERFORMANCE STANDARDS, ROLLINGSHIELD EXTRUSIONS, PARTS AND COMPONENTS CANNOT BE SUBSTITUTED. THE MANUFACTURING OF THESE SYSTEM USING PARTS AND COMPONENTS OTHER THAN THOSE SPECIFIED HEREIN OR BY ROLLINGSHIELD IS STRICTLY PROHIBITED AND MAY INVALIDATE THE PRODUCT APPROVAL.

NOTE:
 SEE SECTIONS ON SHEETS 4 THRU 11.

PRODUCT REVISED
 as complying with the Florida
 Building Code
 Acceptance No 20-0811.17
 Expiration Date 06/07/2024
 By *[Signature]*
 Miami Door Product Control



Florida Building Code (High Velocity Hurricane Zone)

© 2020 TILTECO INC.

TILTECO Inc.

TILLIT TESTING & ENGINEERING COMPANY
 6355 N.W. 36th St., Ste. 305, VIRGINIA GARDENS, FL 33166
 Phone : (305)871-1530 • Fax : (305)871-1531
 e-mail: tilteco@aol.com
 CA-0006719
 WALTER A. TILLIT JR. P.E.
 FLORIDA Lic. # 44167

50mm SLAT ROLL-UP SHUTTER

ROLLINGSHIELD, INC.
 9875 N.W. 79th AVE.
 HIALEAH GARDENS, FL 33016
 Phone : (305)436-6661
 Fax : (305)436-5523

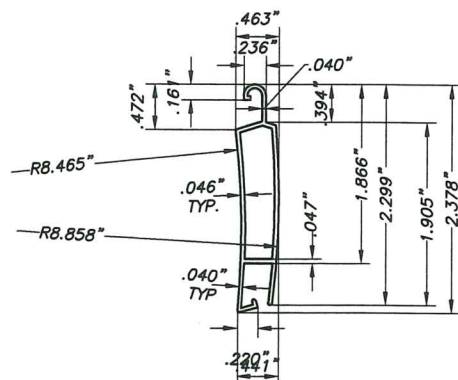
REV. No	DESCRIPTION	DATE	REV. No	DESCRIPTION	DATE
1	OLD 17-232	7/14/2020			
2					

DRAWN BY:
 M.P.

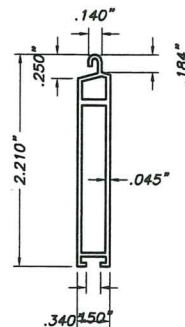
7/14/2020
 DATE

20-200
 DRAWING No

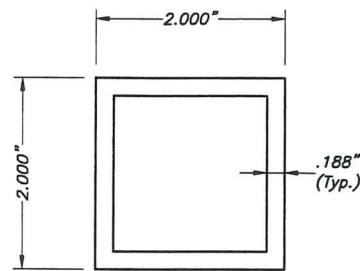
SHEET 1A OF 16



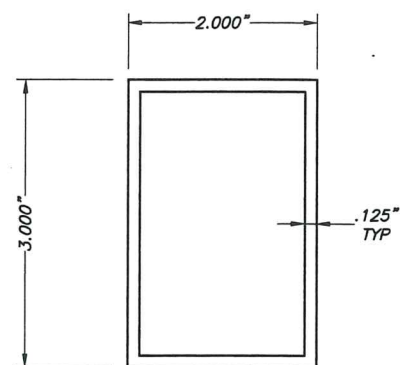
(A) TYPE 1 SLAT:
EXTRUDED ALUMINUM SLAT
6063-T6 ALUMINUM ALLOY
SCALE: 1/2" = 1"



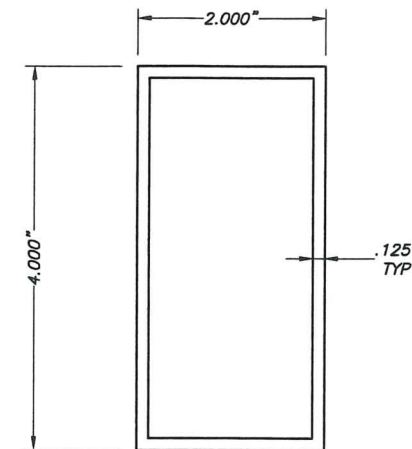
(B) TYPE 2 SLAT:
EXTRUDED ALUMINUM BOTTOM SLAT
6063-T6 ALUMINUM ALLOY
SCALE: 1/2" = 1"



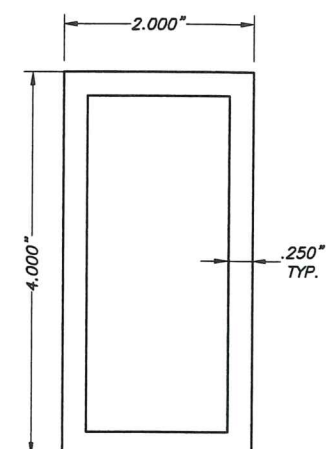
(C) TYPE 1 STORM BAR:
2" EXTRUDED STORM BAR
6063-T6 ALUMINUM ALLOY
SCALE: 1/2" = 1"



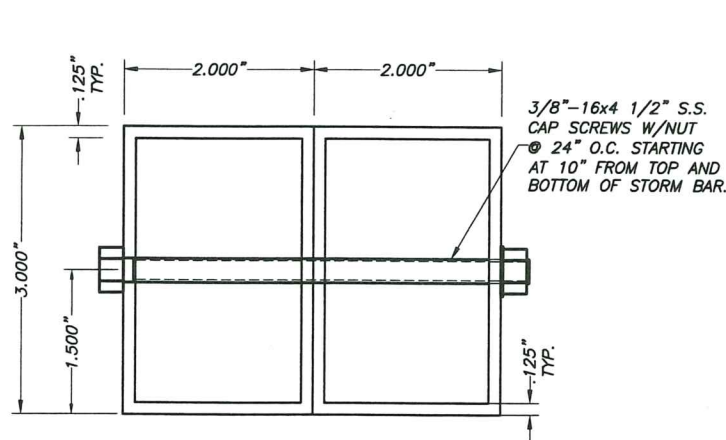
(D) TYPE 2 STORM BAR:
3" EXTRUDED STORM BAR
6063-T6 ALUMINUM ALLOY
SCALE: 1/2" = 1"



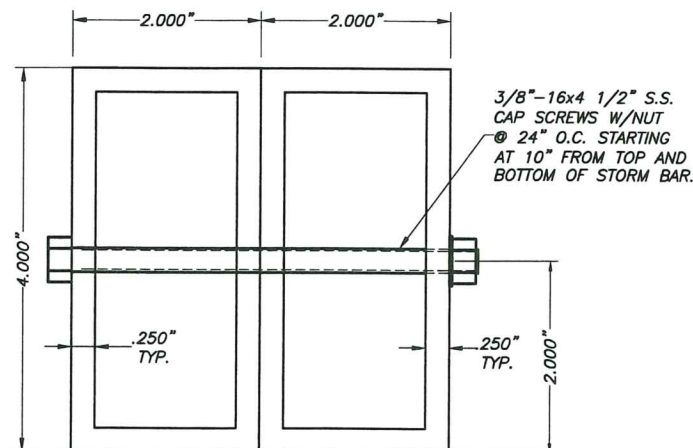
(E) TYPE 3 STORM BAR:
4" EXTRUDED STORM BAR
6063-T6 ALUMINUM ALLOY
SCALE: 1/2" = 1"



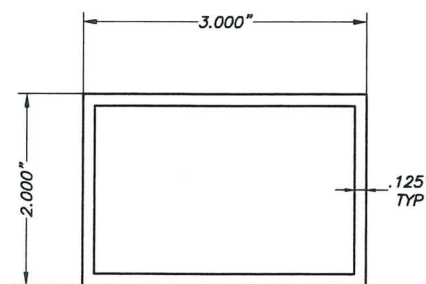
(F) TYPE 4 STORM BAR:
4" HEAVY EXTRUDED STORM BAR
6063-T6 ALUMINUM ALLOY
SCALE: 1/2" = 1"



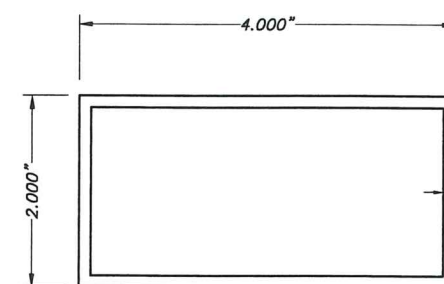
(D1) TYPE 5 STORM BAR:
3" EXTRUDED STORM BAR
6063-T6 ALUMINUM ALLOY
SCALE: 1/2" = 1"



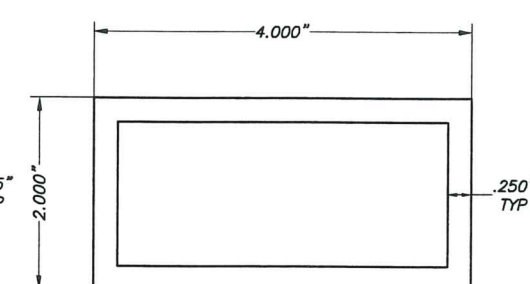
(F1) TYPE 6 STORM BAR:
4" HEAVY EXTRUDED STORM BAR
6063-T6 ALUMINUM ALLOY
SCALE: 1/2" = 1"



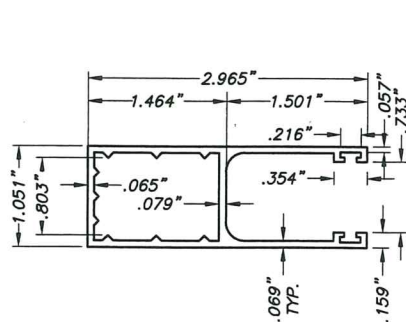
(G) HEADER TYPE 1:
6063-T6 ALUMINUM ALLOY
SCALE: 1/2" = 1"



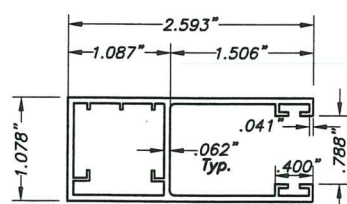
(H) HEADER TYPE 2:
6063-T6 ALUMINUM ALLOY
SCALE: 1/2" = 1"



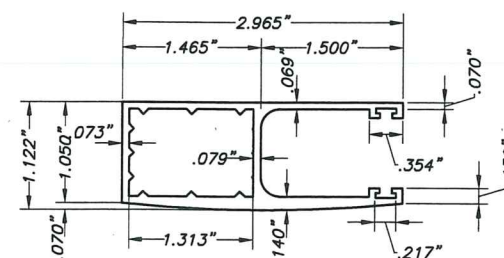
(I) HEADER TYPE 3:
6063-T6 ALUMINUM ALLOY
SCALE: 1/2" = 1"



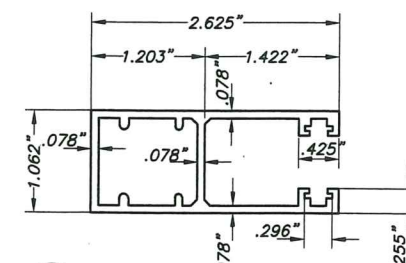
(J) TYPE 1 SIDE RAIL:
6063-T6 Alum. ALLOY
SCALE: 1/2" = 1"



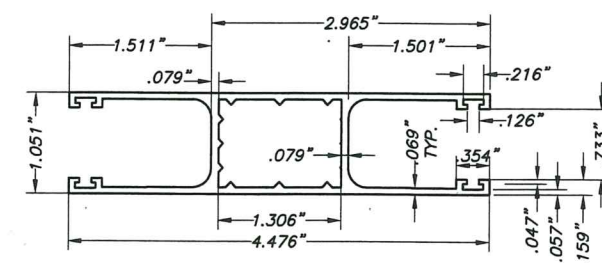
(K) TYPE 2 SIDE RAIL:
6063-T6 Alum. ALLOY
SCALE: 1/2" = 1"



(L) TYPE 3 SIDE RAIL:
6063-T6 Alum. ALLOY
SCALE: 1/2" = 1"

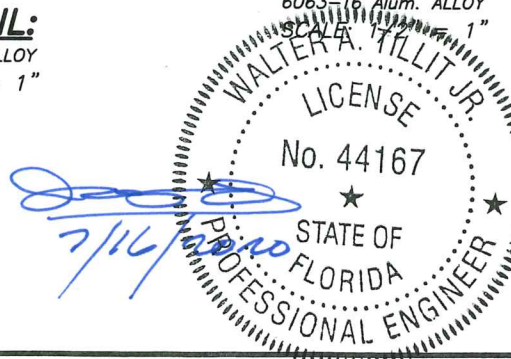


(M) TYPE 4 SIDE RAIL:
6063-T6 Alum. ALLOY
SCALE: 1/2" = 1"



(J1) TYPE 5 SIDE RAILS:
6063-T6 Alum. ALLOY
SCALE: 1/2" = 1"

PRODUCT REVISED as complying with the Florida Building Code
Acceptance No 20-0811.17
Expiration Date 06/07/2024
By *Heidi Miller*
Miami Dept Product Control



© 2020 TILTECO INC.

TILTECO INC.

TILLIT TESTING & ENGINEERING COMPANY
6355 N.W. 36th St., Ste. 305, VIRGINIA GARDENS, FL 33166
Phone : (305)871-1530 . Fax : (305)871-1531
e-mail: tilteco@aol.com
CA-0006719
WALTER A. TILLIT Jr., P.E.
FLORIDA Lic. # 44167

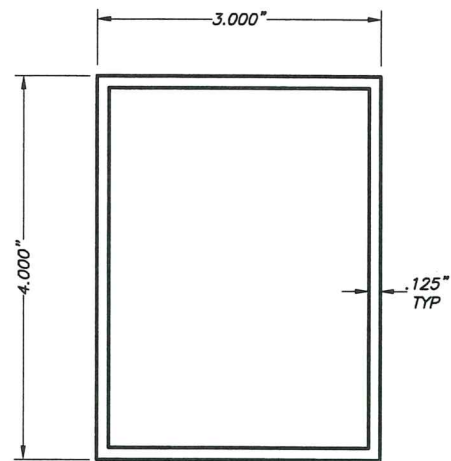
Florida Building Code (High Velocity Hurricane Zone)

50mm SLAT ROLL-UP SHUTTER

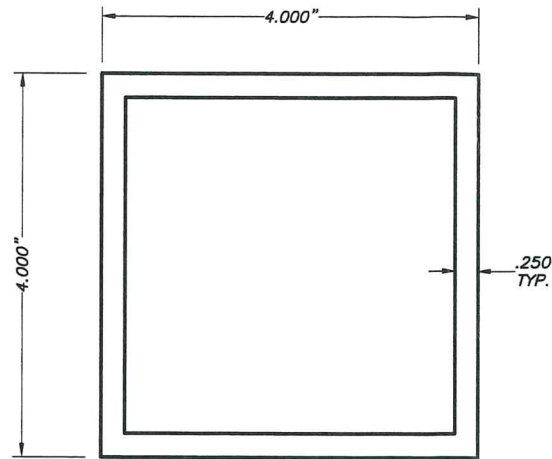
ROLLINGSHIELD, INC.
9875 N.W. 79th AVE.
HIALEAH GARDENS, FL 33016
Phone : (305)436-6661
Fax : (305)436-5523

REV. No	DESCRIPTION	DATE	REV. No	DESCRIPTION	DATE
1	OLD 17-232	7/14/2020			
2					

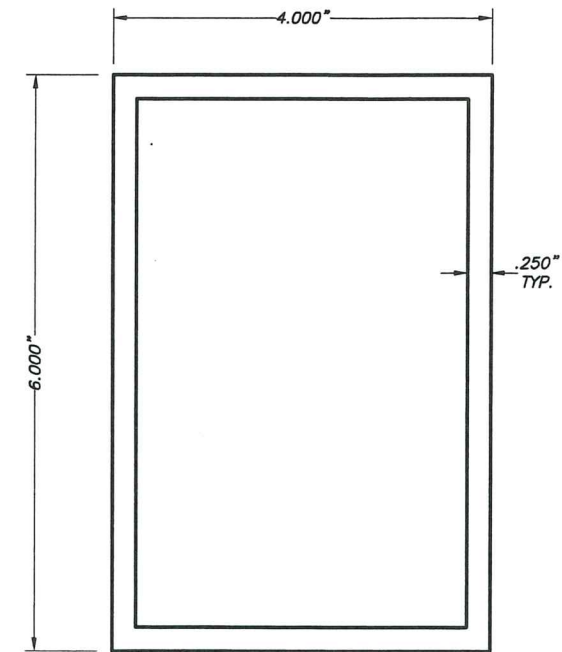
DRAWN BY: M.P.
DATE: 7/14/2020
DRAWING No: 20-200
SHEET 2 OF 16



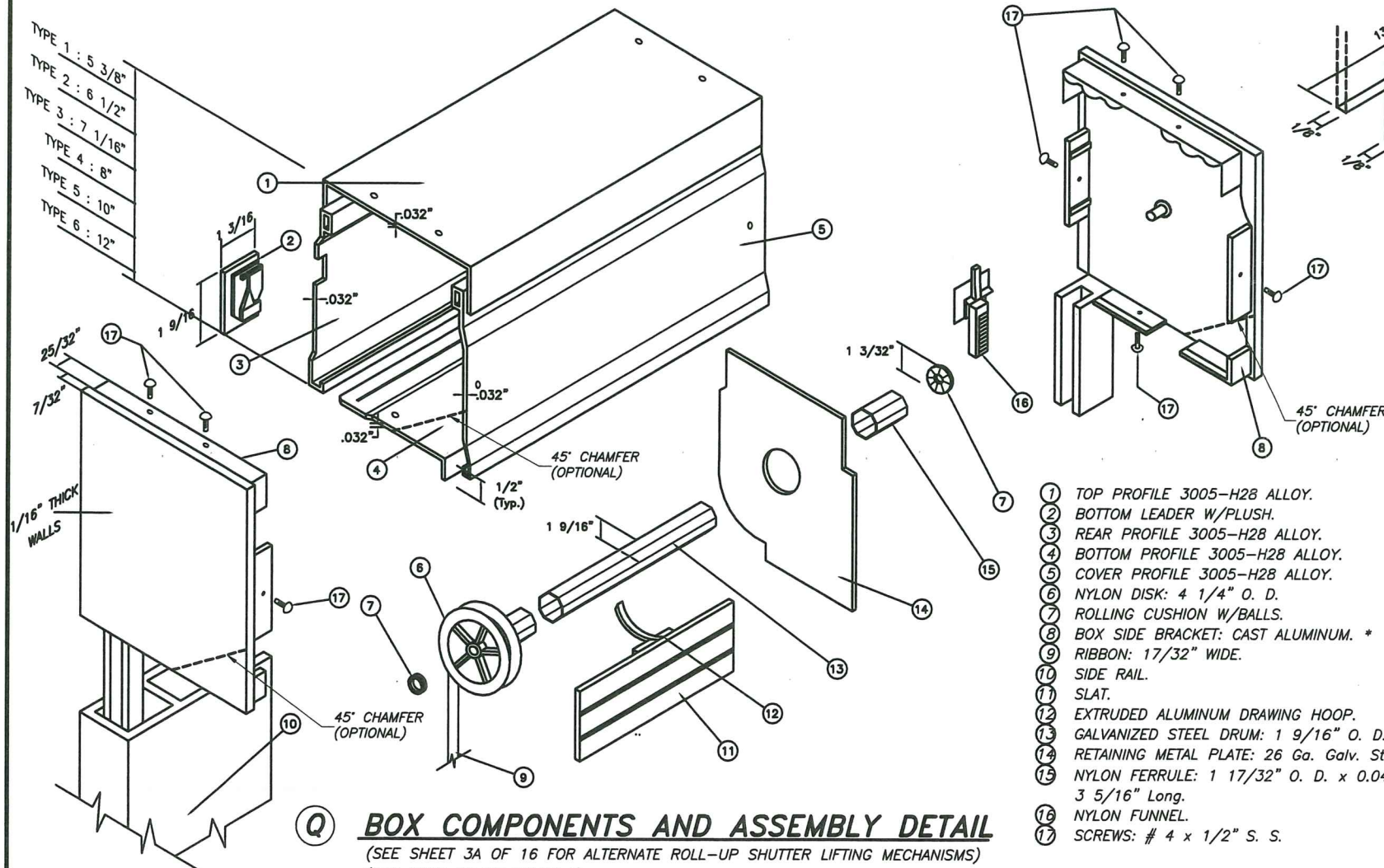
(N) TYPE 1 MULLION:
 4" EXTRUDED MULLION
 6063-T6 ALUMINUM ALLOY
 SCALE: 1/2" = 1"



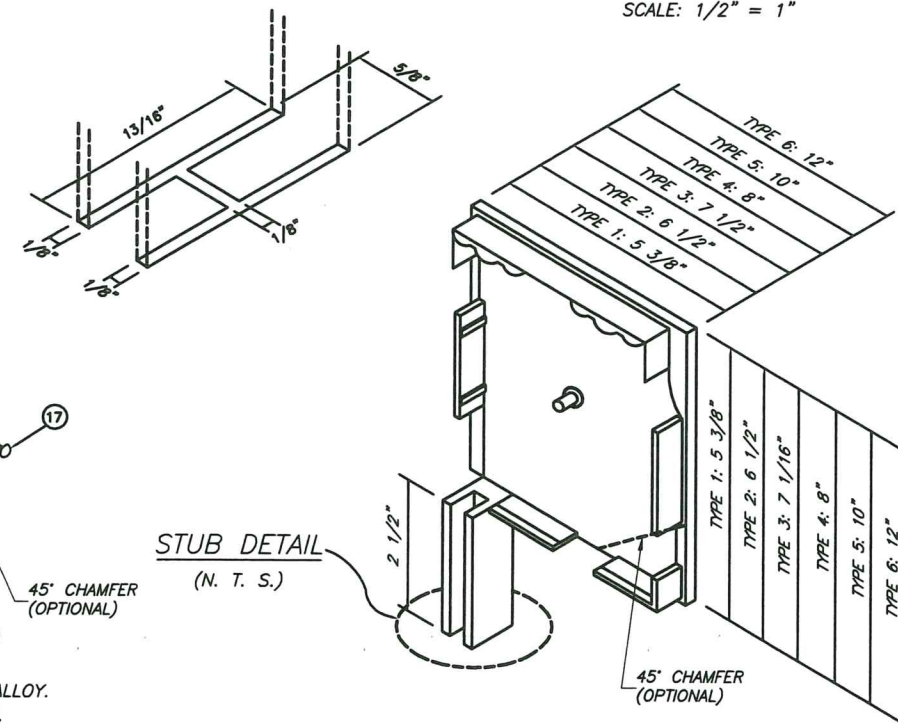
(O) TYPE 2 MULLION:
 4" HEAVY EXTRUDED MULLION
 6063-T6 ALUMINUM ALLOY
 SCALE: 1/2" = 1"



(P) TYPE 3 MULLION:
 6" EXTRUDED MULLION
 6063-T6 ALUMINUM ALLOY
 SCALE: 1/2" = 1"



(Q) BOX COMPONENTS AND ASSEMBLY DETAIL
 (SEE SHEET 3A OF 16 FOR ALTERNATE ROLL-UP SHUTTER LIFTING MECHANISMS)
 (SEE NOTE 13 ON SHEET 1)

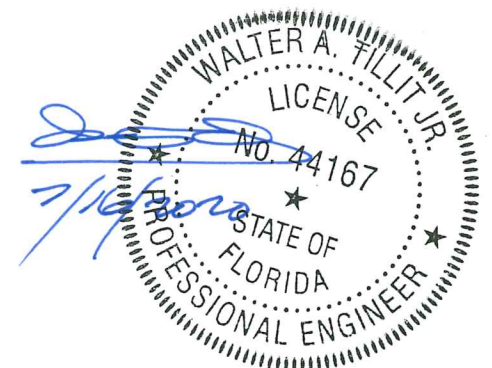


(R) BOX SIDE BRACKET TYPES

* SHALL BE CAPABLE TO SUSTAIN SLAT'S WEIGHT AND ASSURE LIFTING MECHANISM (SEE NOTE 13/1).

- 1 TOP PROFILE 3005-H28 ALLOY.
- 2 BOTTOM LEADER W/PLUSH.
- 3 REAR PROFILE 3005-H28 ALLOY.
- 4 BOTTOM PROFILE 3005-H28 ALLOY.
- 5 COVER PROFILE 3005-H28 ALLOY.
- 6 NYLON DISK: 4 1/4" O. D.
- 7 ROLLING CUSHION W/BALLS.
- 8 BOX SIDE BRACKET: CAST ALUMINUM. *
- 9 RIBBON: 17/32" WIDE.
- 10 SIDE RAIL.
- 11 SLAT.
- 12 EXTRUDED ALUMINUM DRAWING HOOP.
- 13 GALVANIZED STEEL DRUM: 1 9/16" O. D. x 0.032" Thk. *
- 14 RETAINING METAL PLATE: 26 Ga. Galv. Stl. AT EACH END.
- 15 NYLON FERRULE: 1 17/32" O. D. x 0.045" Thk. x 3 5/16" Long.
- 16 NYLON FUNNEL.
- 17 SCREWS: # 4 x 1/2" S. S.

PRODUCT REVISED
 as complying with the Florida
 Building Code
 Acceptance No 20-0811-17
 Expiration Date 06/07/2024
 By *H. G. Tillit Jr.*
 Miami Date Product Control



© 2020 TILTECO INC.

TILTECO INC.

TILLIT TESTING & ENGINEERING COMPANY
 6355 N.W. 36th St., Ste. 305, VIRGINIA GARDENS, FL 33166
 Phone : (305)871-1530 • Fax : (305)871-1531
 e-mail: tilteco@aol.com

CA-0006719
 WALTER A. TILLIT JR. P.E.
 FLORIDA Lic. # 44167

Florida Building Code (High Velocity Hurricane Zone)

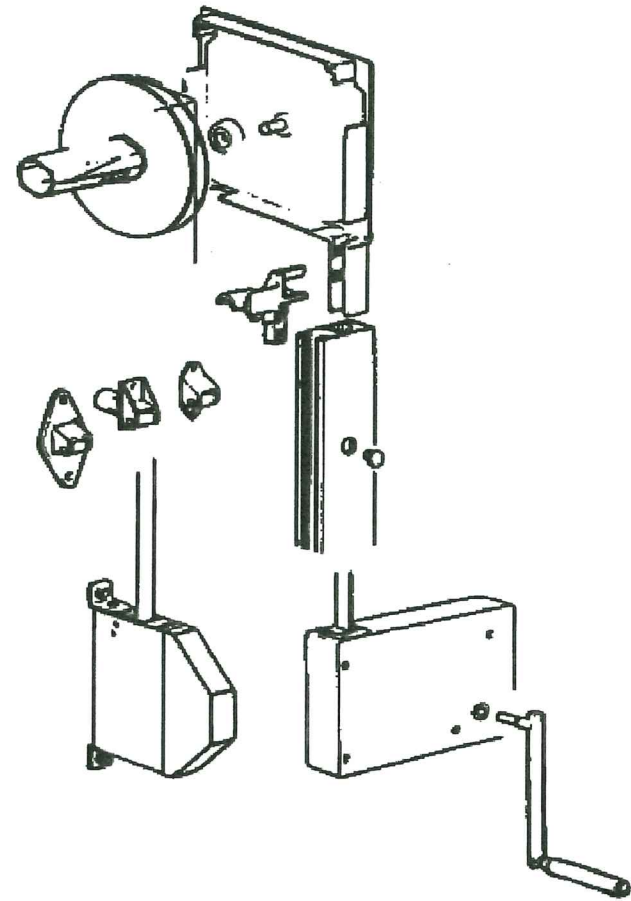
50mm SLAT ROLL-UP SHUTTER

ROLLINGSHIELD, INC.
 9875 N.W. 79th AVE.
 HIALEAH GARDENS, FL 33016
 Phone : (305)436-6661
 Fax : (305)436-5523

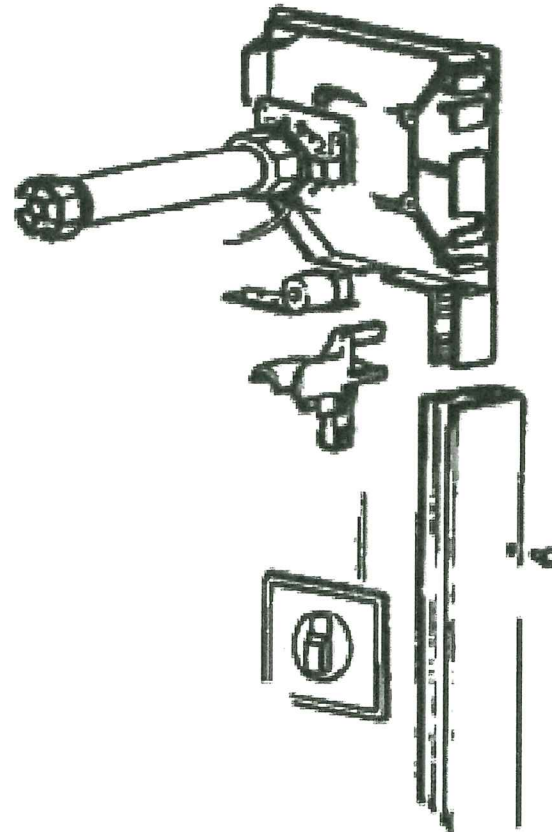
REV. No	DESCRIPTION	DATE	REV. No	DESCRIPTION	DATE
1	OLD 17-252	7/14/2020			
2					

DRAWN BY: M.P.
 7/14/2020 DATE
20-200
 DRAWING No
 SHEET 3 OF 16

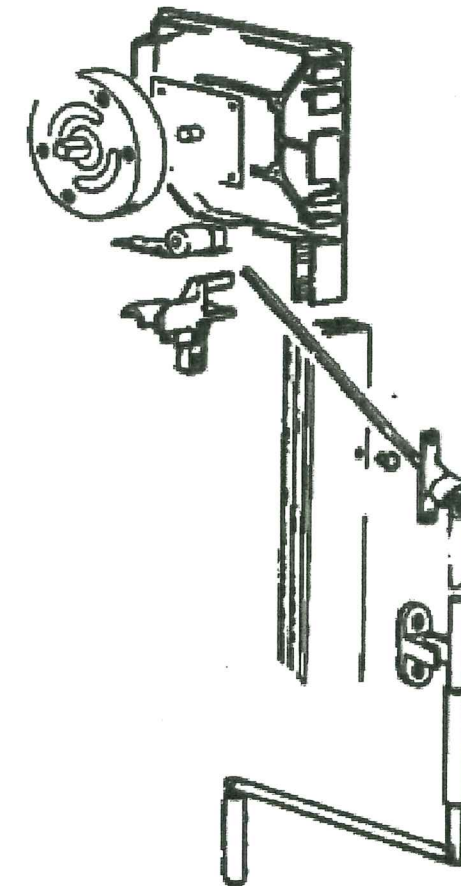
TYPE DRIVE ROLL-UP SHUTTER SYSTEM



MOTORIZED ROLL-UP SHUTTER SYSTEM



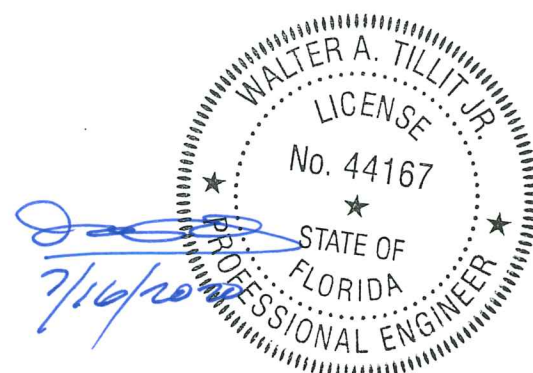
HAND CRANK ROLL-UP SHUTTER SYSTEM



ALTERNATE ROLL-UP SHUTTER LIFTING MECHANISMS

(SEE NOTE 13 ON SHEET 1)

PRODUCT REVISED
 as complying with the Florida
 Building Code
 Acceptance No 20-0811-17
 Expiration Date 06/07/2024
 By *Heidi Miller*
 Miami Dade Product Control



© 2020 TILTECO INC.

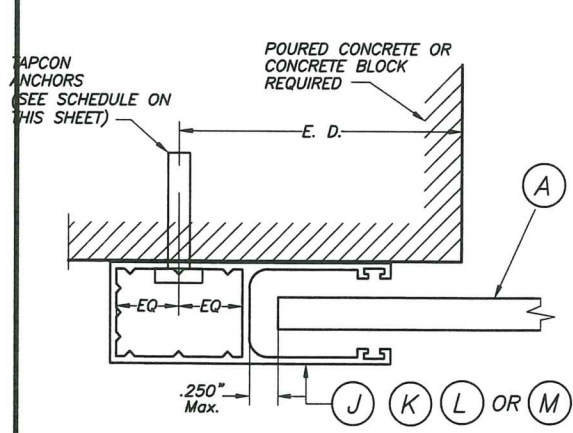
TILTECO INC.

TILLIT TESTING & ENGINEERING COMPANY
 6355 N.W. 36th. St., Ste. 305, VIRGINIA GARDENS, FL. 33166
 Phone : (305)871-1530 . Fax : (305)871-1531
 e-mail: tilteco@aol.com
 CA-0006719
 WALTER A. TILLIT Jr. P.E.
 FLORIDA Lic. # 44167

Florida Building Code (High Velocity Hurricane Zone)

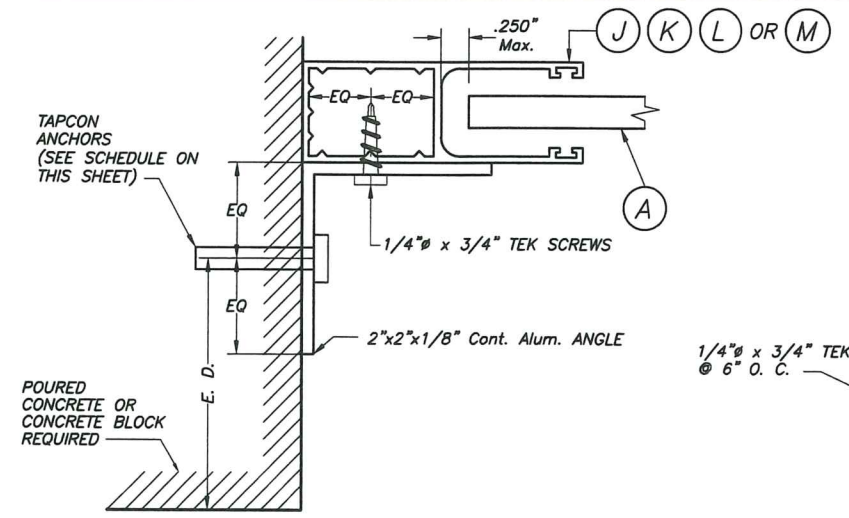
50mm SLAT ROLL-UP SHUTTER		DRAWN BY: M.P.
ROLLINGSHIELD, INC.		7/14/2020 DATE
9875 N.W. 79th AVE. HIALEAH GARDENS, FL. 33016 Phone : (305)436-6661 Fax : (305)436-5523		20-200 DRAWING No
REV. No	DESCRIPTION	DATE
1	OLD 17-232	7/14/2020
2		

SHEET 3A OF 16



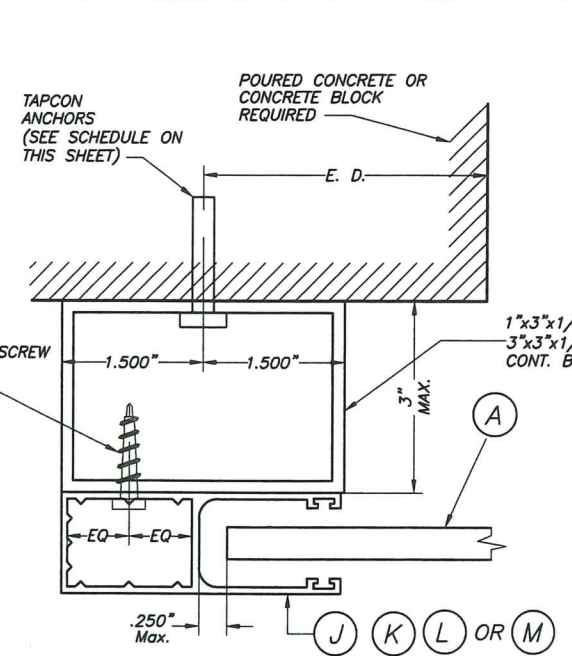
SECTION P - P (1) : WALL MOUNT

SCALE: 1/2" = 1"



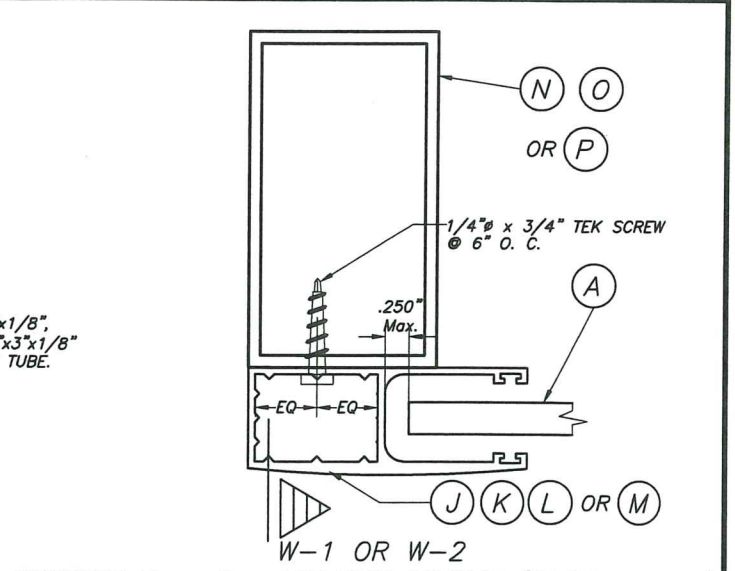
SECTION P - P (2) : SIDE WALL MOUNT

SCALE: 1/2" = 1"



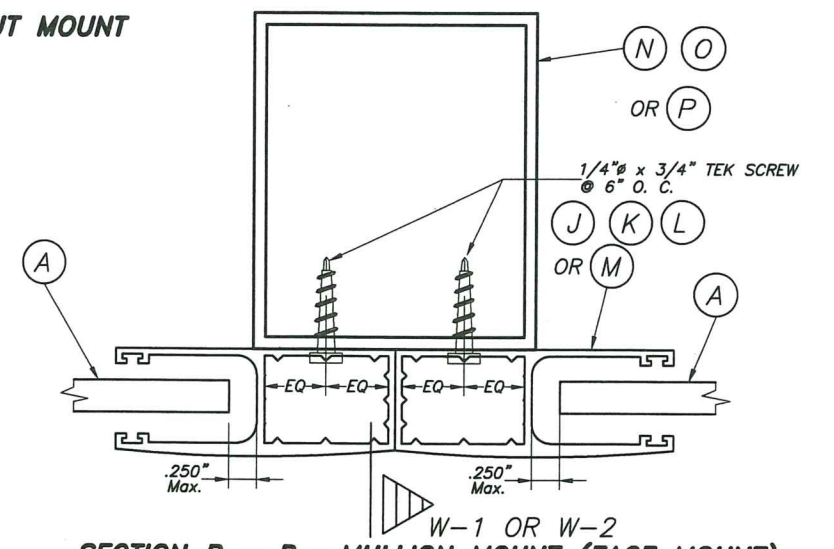
SECTION P - P (3) : BUILD-OUT MOUNT

SCALE: 1/2" = 1"



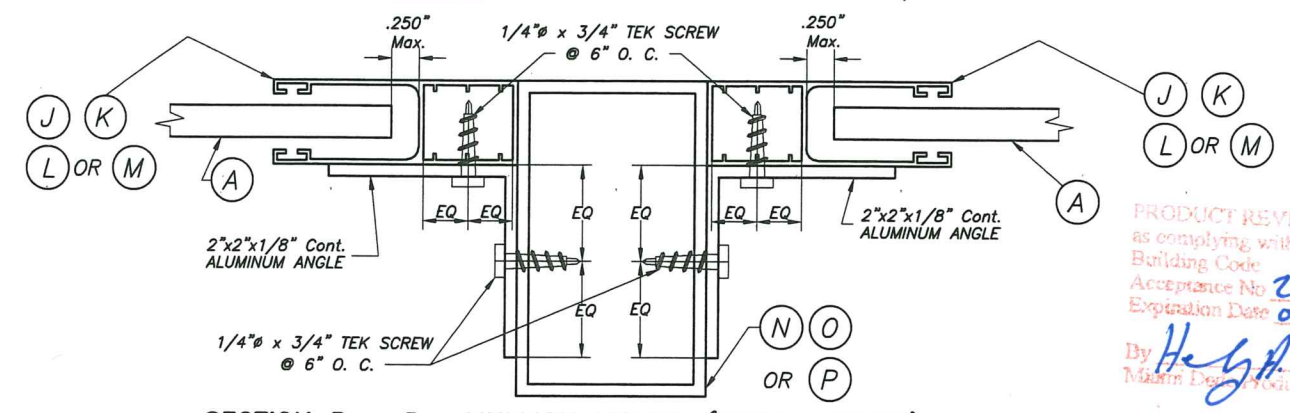
SECTION Q - Q : MULLION MOUNT (FACE MOUNT)

SCALE: 1/2" = 1"



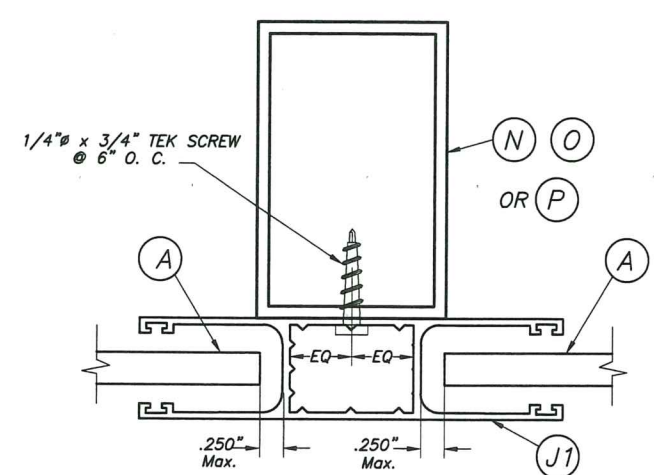
SECTION R - R : MULLION MOUNT (FACE MOUNT)

SCALE: 1/2" = 1"



SECTION R - R : MULLION MOUNT (INSIDE MOUNT)

SCALE: 1/2" = 1"

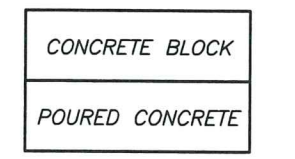


SECTION R - R (2) : MULLION MOUNT (FACE MOUNT)

SCALE: 1/2" = 1"

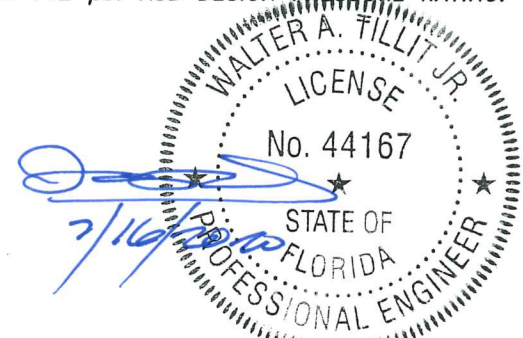
SIDE RAIL ANCHOR SCHEDULE
MAXIMUM A.S.D. DESIGN PRESSURE RATING (p. s. f.) AND
CORRESPONDING MAXIMUM ANCHOR SPACING (in) *
FOR SIDE RAILS J, K, L & M
CONNECTION TO POURED CONCRETE OR MASONRY WALL
 (USE MAXIMUM VALUES BETWEEN POSITIVE AND NEGATIVE A.S.D. LOAD)

MAXIMUM A.S.D. DESIGN PRESSURE RATING (p.s.f.)	SIDE RAIL (J)			SIDE RAIL (K)			SIDE RAIL (L)			SIDE RAIL (M)		
	WALL MOUNT	INSIDE MOUNT	BUILD-OUT MOUNT	WALL MOUNT	INSIDE MOUNT	BUILD-OUT MOUNT	WALL MOUNT	INSIDE MOUNT	BUILD-OUT MOUNT	WALL MOUNT	INSIDE MOUNT	BUILD-OUT MOUNT
65.0 OR LESS	6"	4" ■	6"	6"	4"	6"	6"	4" ■	6"	6"	4"	6"
>65.0 TO 110.0	6"	6"	6"	6"	6"	6"	6"	6"	6"	6"	6"	6"
	4"*	N/A	4"	4"**	N/A	5"	4"*	N/A	4"	5"	N/A	5"
>110.0 TO 150.0	6"	6"	6"	6"	6"	6"	6"	6"	6"	6"	6"	6"
	N/A	N/A	4" □	N/A	N/A	4 1/2"	N/A	N/A	4" □	4***	N/A	4 1/2"
	6"	6"	6"	6"	6"	6"	6"	6"	6"	6"	6"	6"



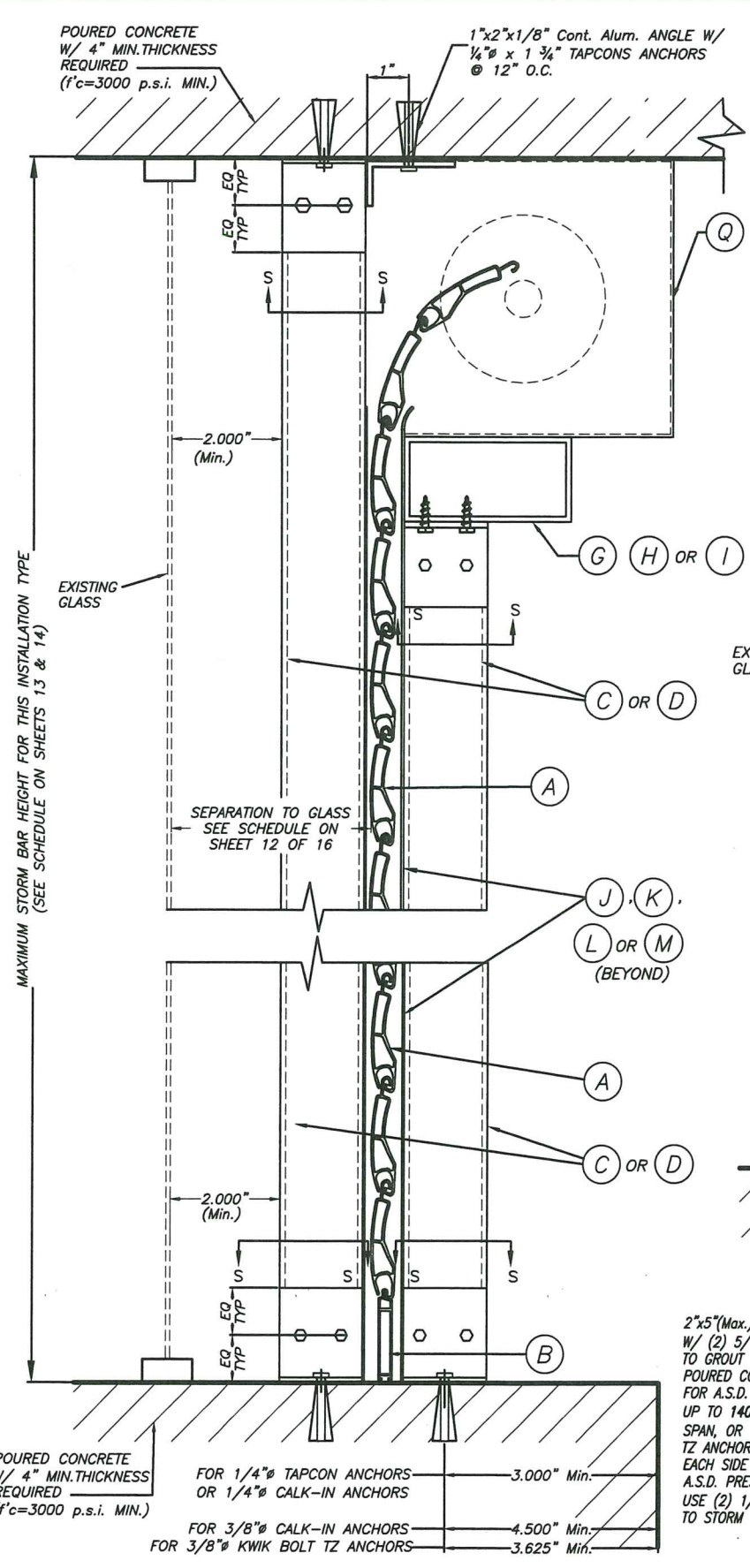
SUBSTRATE LEGEND

- * LIMITED TO 98 psf ASD DESIGN PRESSURE RATING.
- ** LIMITED TO 107 psf ASD DESIGN PRESSURE RATING.
- *** LIMITED TO 140 psf ASD DESIGN PRESSURE RATING.
- LIMITED TO 4'-0" SLAT SPAN.
- LIMITED TO 142 psf ASD DESIGN PRESSURE RATING.



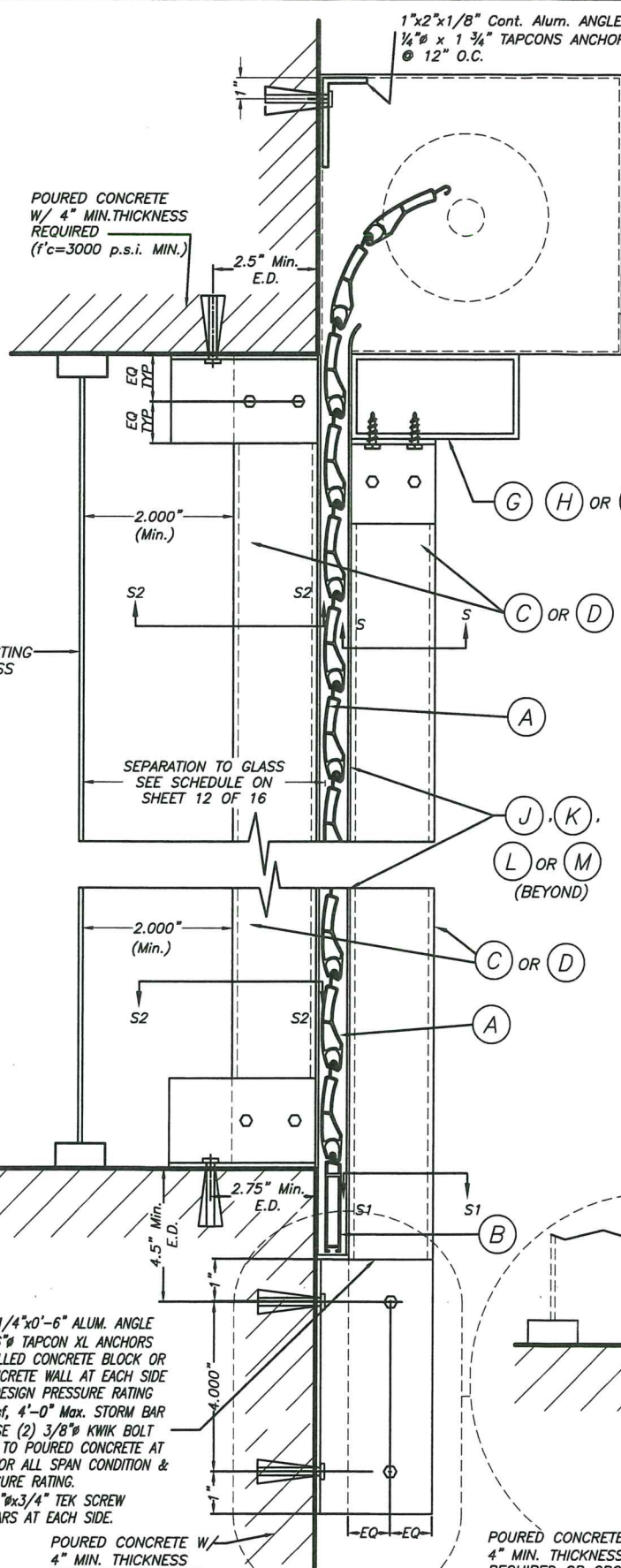
PRODUCT REVISED
 as complying with the Florida
 Building Code
 Acceptance No. 20-0811-17
 Expiration Date 06/07/2024
 By *Hedy A. Miller*
 Miami Design Product Control

© 2020 TILTECO INC.		Florida Building Code (High Velocity Hurricane Zone)			
TILTECO INC. TILLIT TESTING & ENGINEERING COMPANY 6355 N.W. 36th St., Ste. 305, VIRGINIA GARDENS, FL 33166 Phone : (305)871-1530 . Fax : (305)871-1531 e-mail: tilteco@aol.com CA-0006719 WALTER A. TILLIT Jr. P.E. FLORIDA Lic. # 44167		50mm SLAT ROLL-UP SHUTTER ROLLINGSHIELD, INC. 9875 N.W. 79th AVE. HIALEAH GARDENS, FL 33016 Phone : (305)436-6661 Fax : (305)436-5523			
		DRAWN BY: M.P. DATE: 7/14/2020 20-200 DRAWING No			
REV. No	DESCRIPTION	DATE	REV. No	DESCRIPTION	DATE
1	OLD 17-232	7/14/2020			
2					

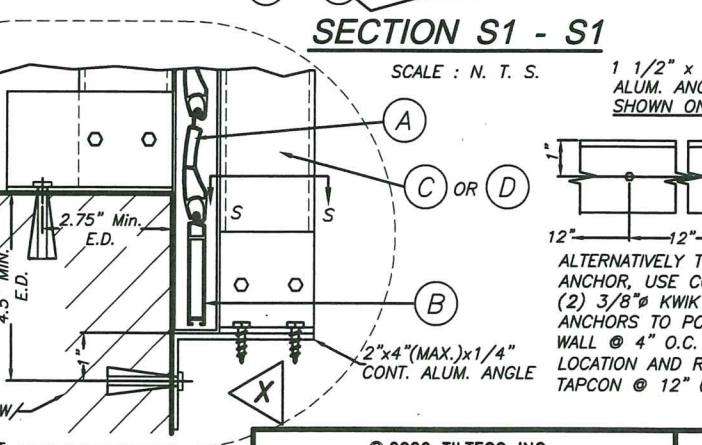
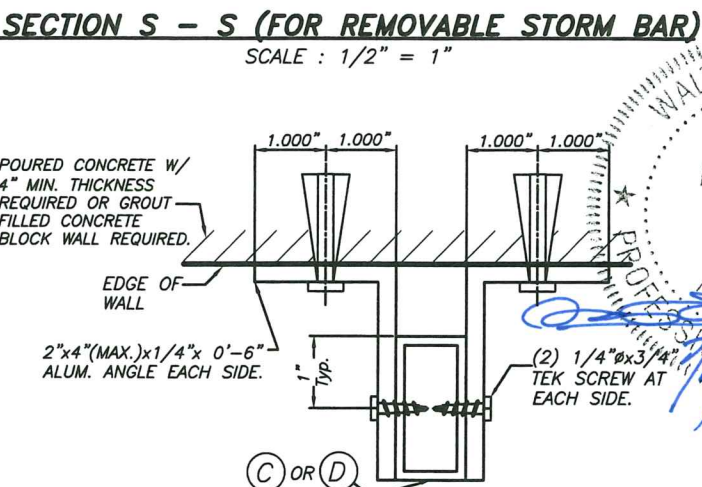
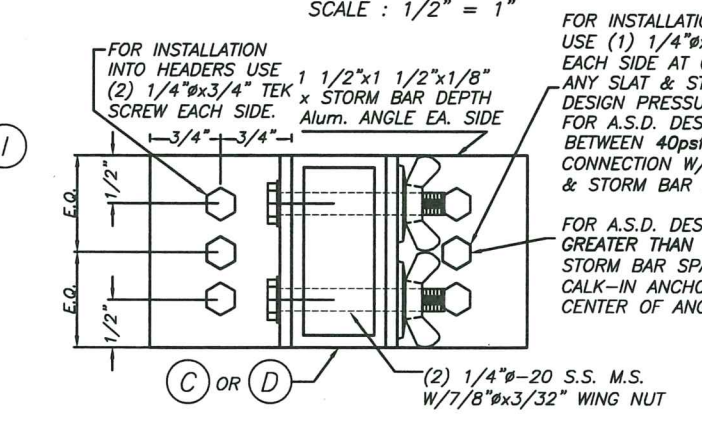
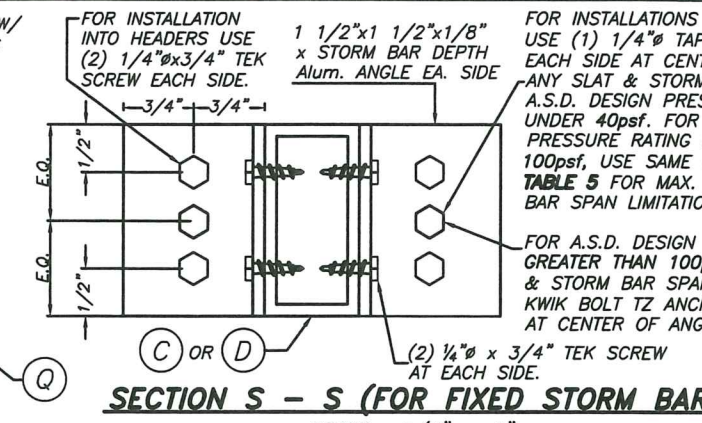


CEILING & FLOOR MOUNTING SECTION V-V(2) INSTALLATION
W/ FIXED OR REMOVABLE STORM BARS W/ CONCRETE ANCHORS
 (SEE SECTION "S" FOR ANCHOR TYPE REQUIREMENT)
 SCALE: 1/4" = 1"

SINGLE SPAN SECTIONS AND DETAILS ARE SIMILAR TO ABOVE SHOWN WITHOUT STORM BAR & HEADERS.



WALL MOUNTING SECTION V-V(1) INSTALLATION
W/ FIXED STORM BARS W/ CONCRETE ANCHORS
 SCALE: 1/4" = 1"



OPTIONAL STORM BAR CONNECTION
 SCALE: N.T.S.

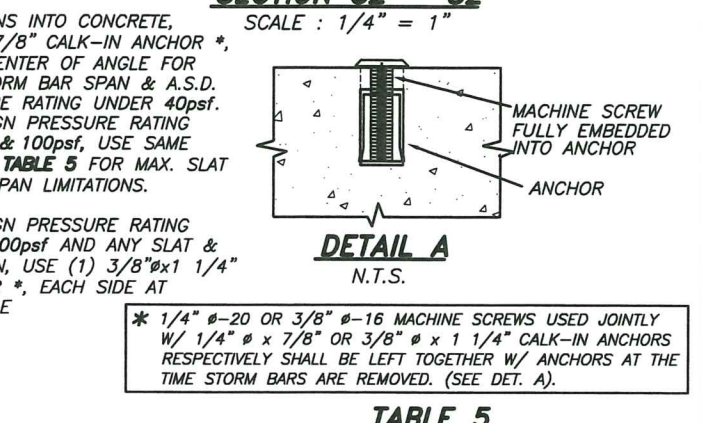
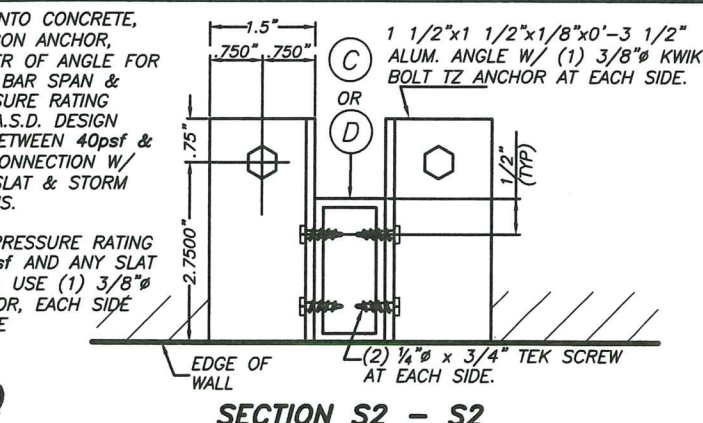
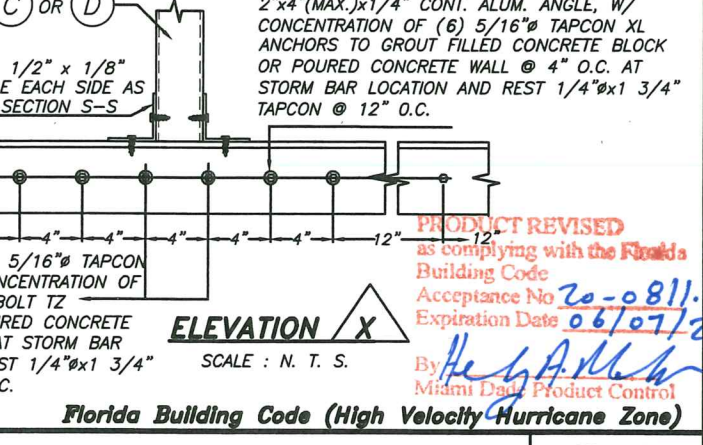


TABLE 5

A.S.D. DESIGN PRESSURE RATING (p.s.f.)	MAX. SLAT SPAN	"L" MAX. STORM BAR SPAN
40.0	3'-0"	8'-0"
	4'-0"	7'-9"
	5'-0"	6'-11"
50.0	5'-9"	6'-0"
	3'-0"	8'-0"
	4'-0"	6'-11"
60.0	5'-0"	5'-6"
	5'-4"	5'-2"
	3'-0"	7'-4"
80.0	4'-0"	5'-9"
	5'-0"	4'-7"
	3'-0"	5'-9"
100.0	4'-0"	4'-7"
	3'-5"	3'-5"



ELEVATION X
 SCALE: N.T.S.

Florida Building Code (High Velocity Hurricane Zone)

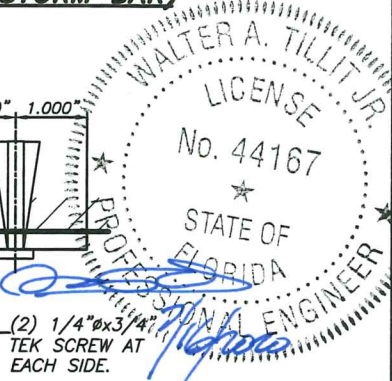
TILTECO INC.
 TILLIT TESTING & ENGINEERING COMPANY
 6355 N.W. 36th St., Ste. 305, VIRGINIA GARDENS, FL 33166
 Phone: (305)871-1530 . Fax: (305)871-1531
 e-mail: tilteco@aol.com
 CA-0006719
 WALTER A. TILLIT JR. P.E.
 FLORIDA Lic. # 44167

ROLLINGSHIELD, INC.
 9875 N.W. 79th AVE.
 HIALEAH GARDENS, FL 33016
 Phone: (305)436-6661
 Fax: (305)436-5523

20-200
 DRAWING No

REV. No DESCRIPTION DATE REV. No DESCRIPTION DATE
 1 OLD 17-252 7/14/2020
 2

7/14/2020 DATE
 SHEET 5 OF 16



PRODUCT REVISED as complying with the Florida Building Code Acceptance No 20-0811-17 Expiration Date 06/07/2024
 By: *[Signature]*
 Miami Dept. Product Control

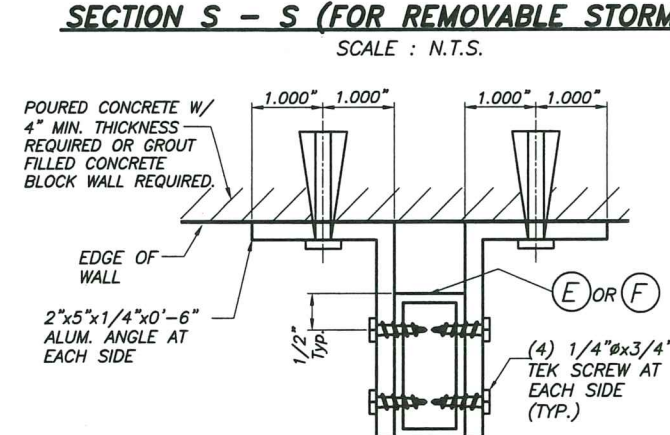
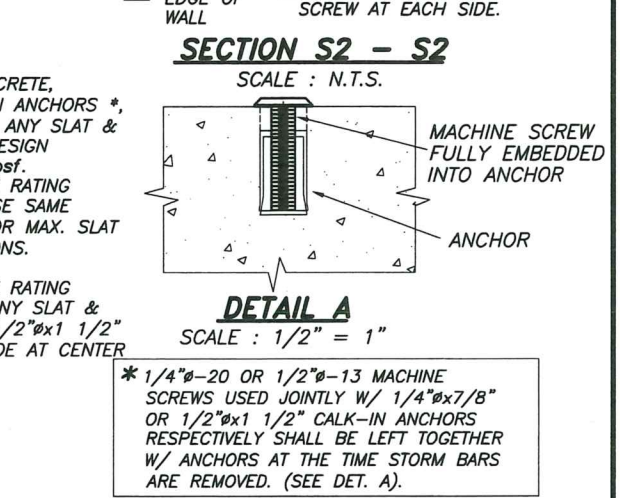
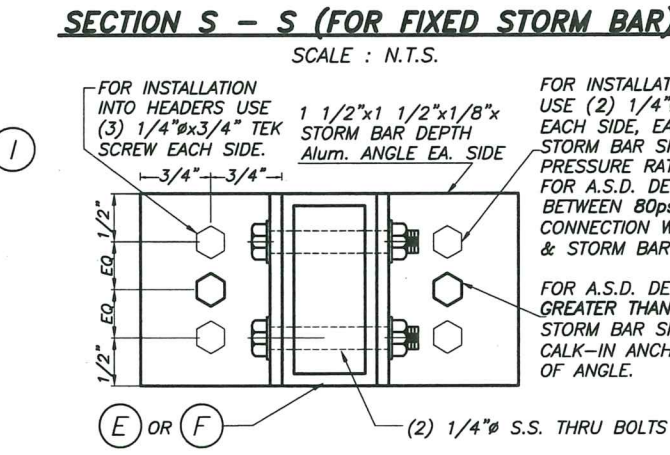
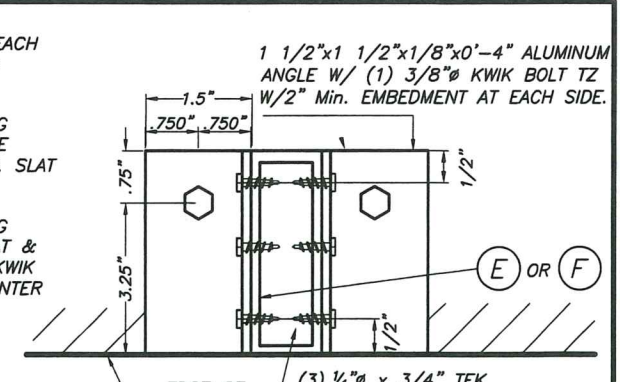
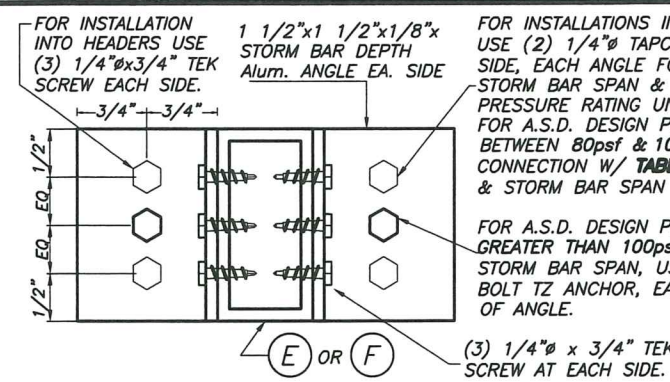
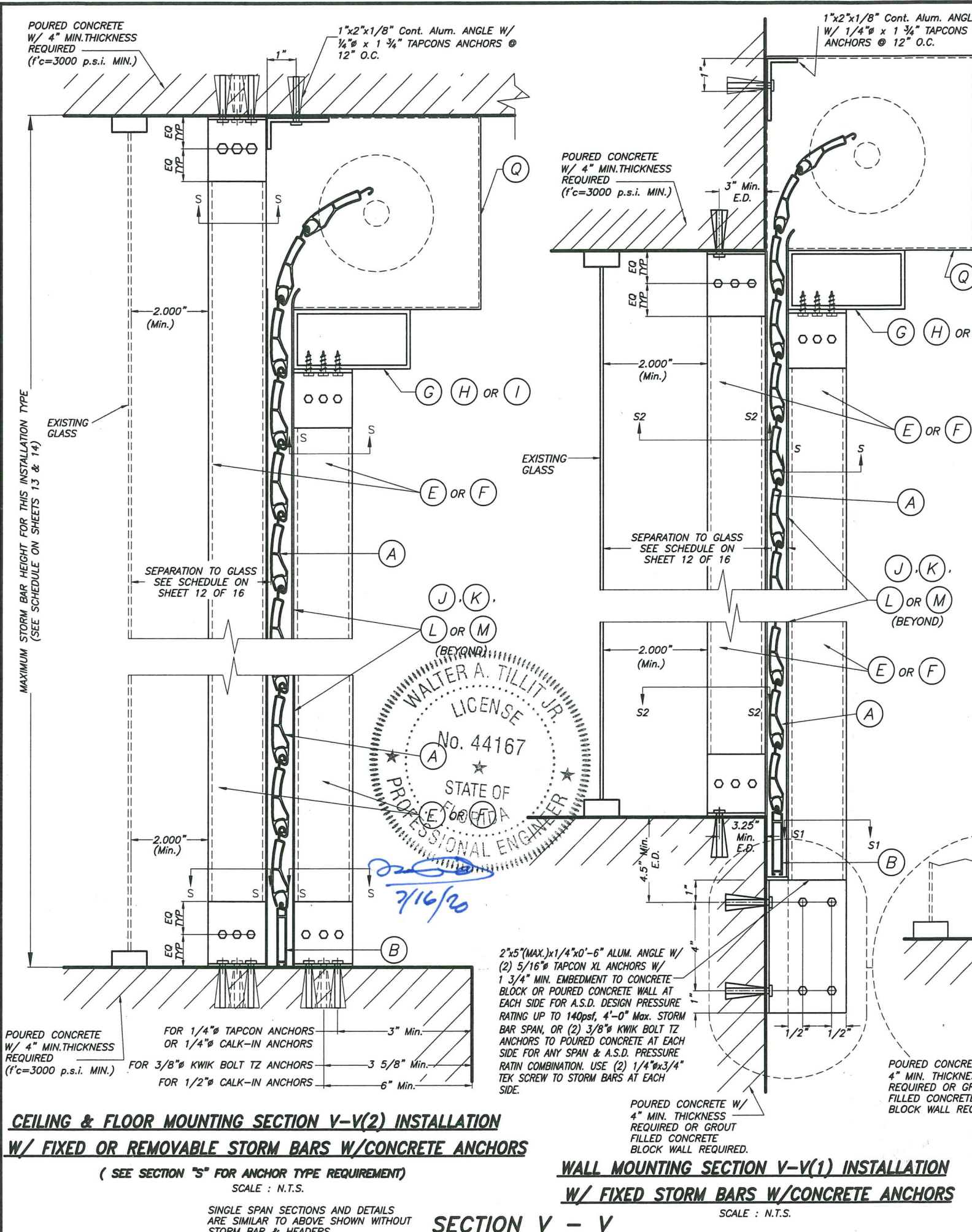
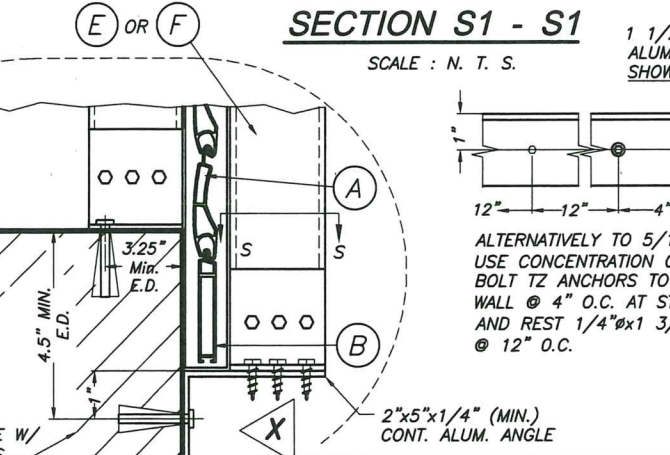


TABLE 5A

A.S.D. DESIGN PRESSURE RATING(p.s.f.)	MAX. SLAT SPAN	"L" MAX. STORM BAR SPAN
80.0	3'-0"	9'-11"
	4'-0"	8'-8"
100.0	4'-7"	7'-7"
	3'-0"	9'-2"
	4'-0"	6'-11"



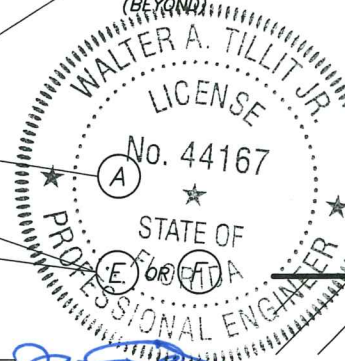
2"x5"(MAX.)x1/4" CONT. ALUM. ANGLE, W/ CONCENTRATION OF (8) 5/16" TAPCON XL ANCHORS TO GROUT FILLED CONCRETE BLOCK OR POURED CONCRETE WALL @ 4" O.C. AT STORM BAR LOCATION AND REST 1/4"x1 3/4" TAPCON @ 12" O.C.

ALTERNATIVELY TO 5/16" TAPCONS ANCHOR, USE CONCENTRATION OF (2) 3/8" KWIK BOLT TZ ANCHORS TO POURED CONCRETE WALL @ 4" O.C. AT STORM BAR LOCATION AND REST 1/4"x1 3/4" TAPCON @ 12" O.C.

ELEVATION X SCALE : N. T. S.

PRODUCT REVISED as complying with the Florida Building Code Acceptance No 20-0811.17 Expiration Date 06/07/2024 By Healy Product Control Miami Dade Product Control

Florida Building Code (High Velocity Hurricane Zone)



© 2020 TILTECO INC.

TILTECO INC.

TILLIT TESTING & ENGINEERING COMPANY
6355 N.W. 36th St., Ste. 305, VIRGINIA GARDENS, FL 33166
Phone : (305)871-1530 . Fax : (305)871-1531
e-mail: tilteco@aol.com
CA-0006719
WALTER A. TILLIT Jr. P.E.
FLORIDA Lic. # 44167

50mm SLAT ROLL-UP SHUTTER

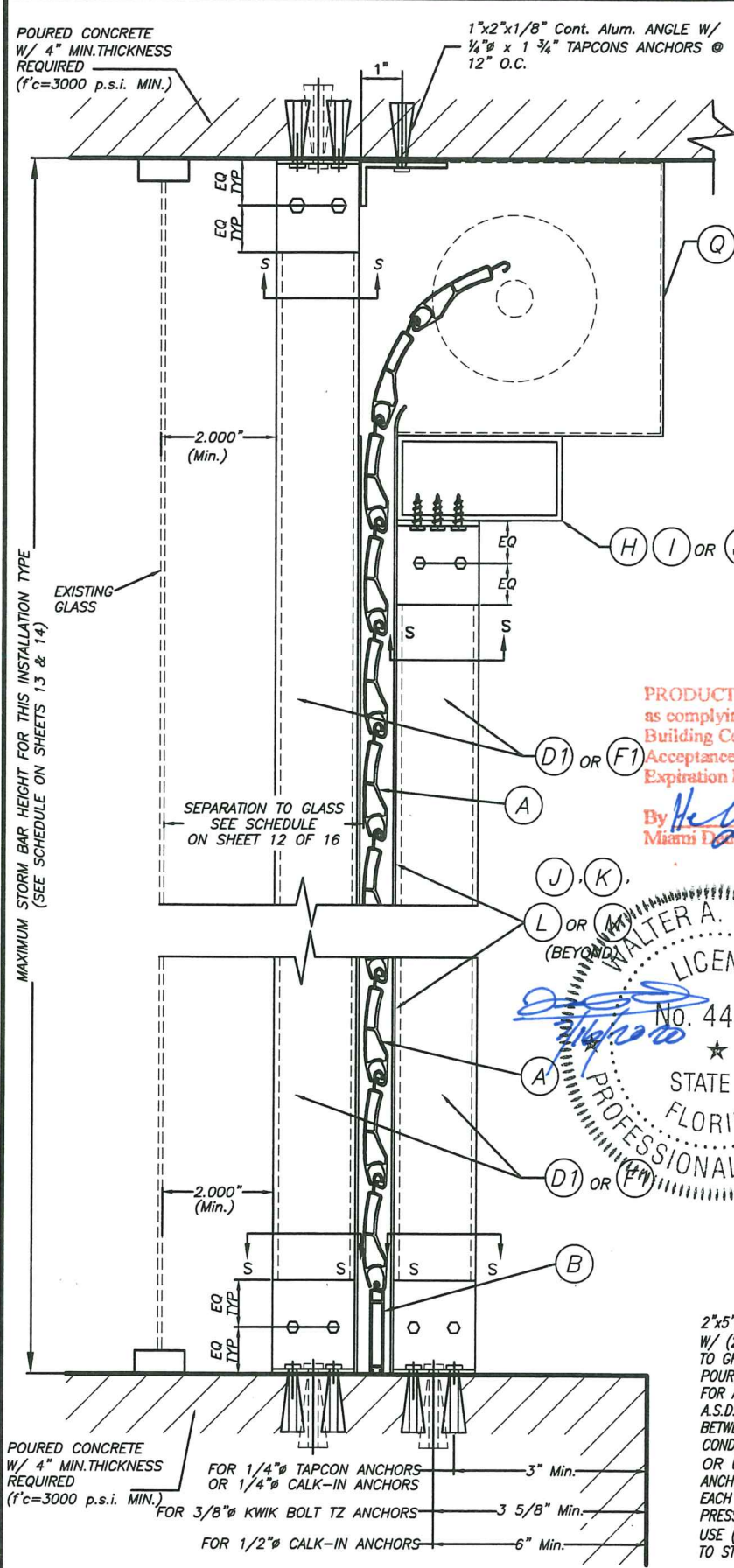
ROLLINGSIELD, INC.

9875 N.W. 79th AVE.
HIALEAH GARDENS, FL 33016
Phone : (305)436-6661
Fax : (305)436-5523

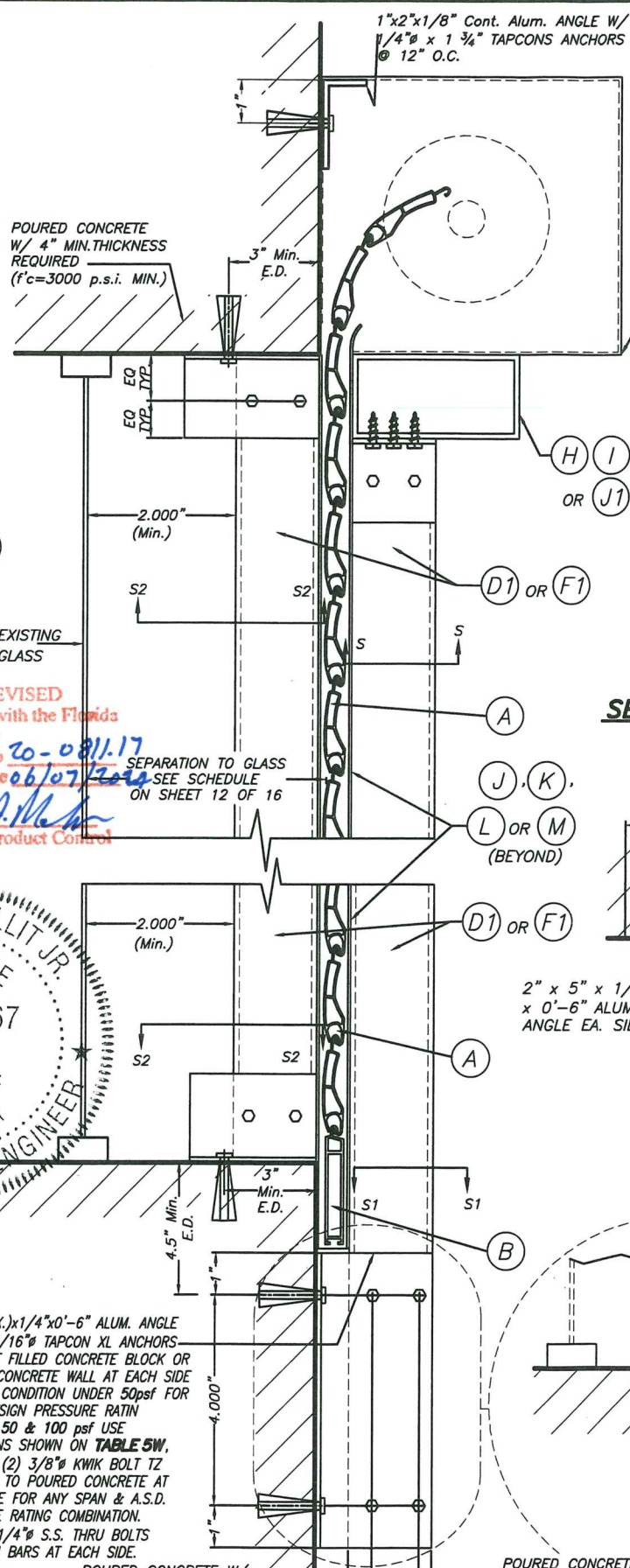
DRAWN BY: M.P.
DATE: 7/14/2020
20-200
DRAWING No
SHEET 5A OF 16

REV. No	DESCRIPTION	DATE	REV. No	DESCRIPTION	DATE
1	OLD 17-232	7/14/2020			
2					

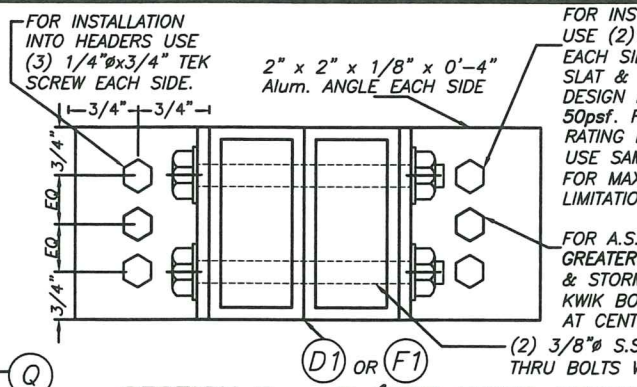
SINGLE SPAN SECTIONS AND DETAILS ARE SIMILAR TO ABOVE SHOWN WITHOUT STORM BAR & HEADERS.



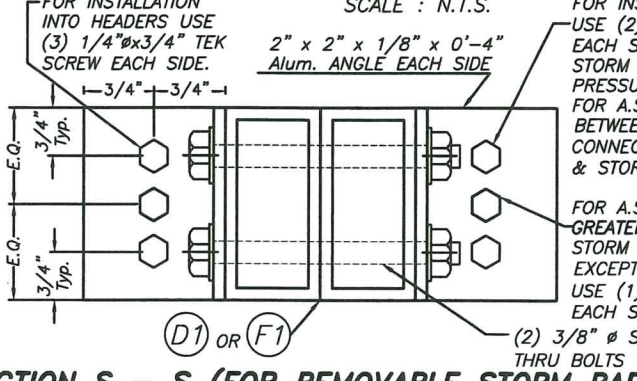
CEILING & FLOOR MOUNTING SECTION V-V(2) INSTALLATION
W/ FIXED OR REMOVABLE STORM BARS W/ CONCRETE ANCHORS
 (SEE SECTION "S" FOR ANCHOR TYPE REQUIREMENT)
 SCALE: N.T.S.



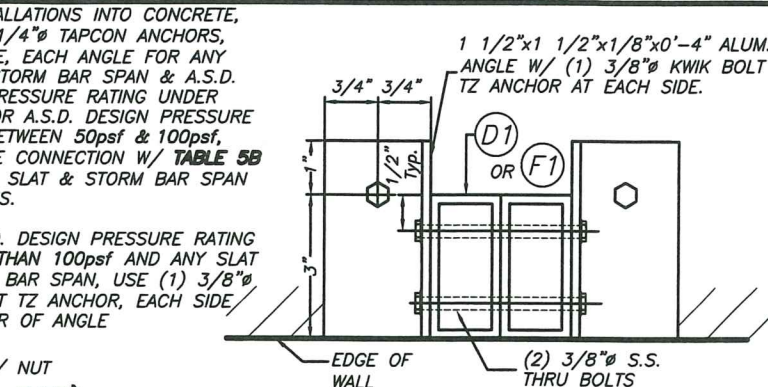
WALL MOUNTING SECTION V-V(1) INSTALLATION
W/ FIXED STORM BARS W/ CONCRETE ANCHORS
 SCALE: N.T.S.



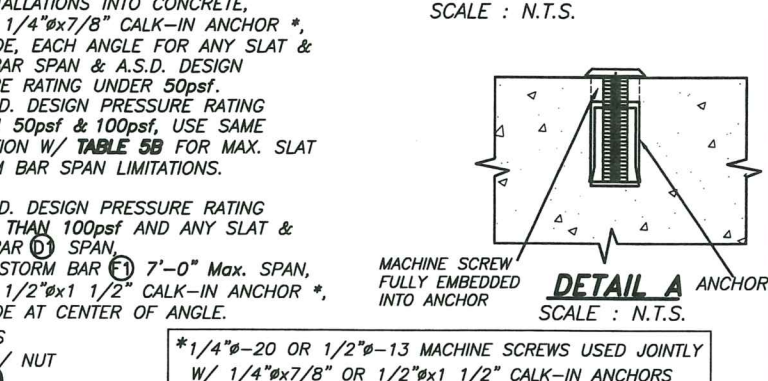
SECTION S - S (FOR FIXED STORM BAR)
 SCALE: N.T.S.



SECTION S - S (FOR REMOVABLE STORM BAR)
 SCALE: N.T.S.

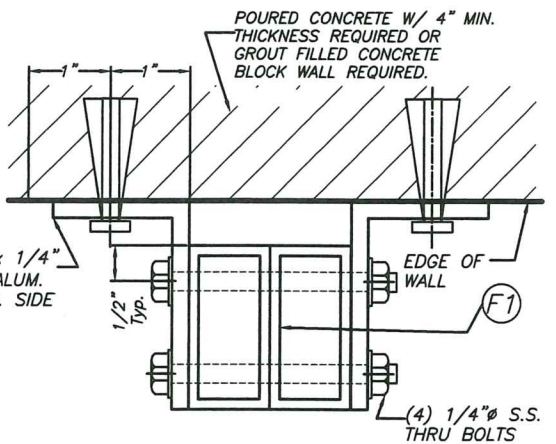


SECTION S2 - S2
 SCALE: N.T.S.



DETAIL A
 SCALE: N.T.S.

PRODUCT REVISED
 as complying with the Florida
 Building Code
 Acceptance No. 20-0811.17
 Expiration Date 06/07/2020
 By *Walter A. Tillit Jr.*
 Miami Dade Product Control



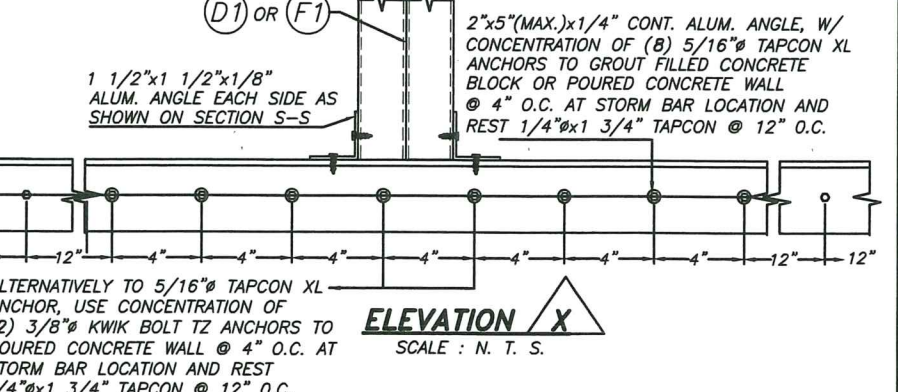
SECTION S1 - S1
 SCALE: N.T.S.

TABLE 5W

A.S.D. DESIGN PRESSURE RATING (p.s.f.)	MAX. SLAT SPAN	"L" MAX. STORM BAR SPAN
50.0	3'-0"	13'-4"
	4'-0"	10'-5"
	5'-0"	8'-4"
60.0	3'-0"	11'-7"
	4'-0"	8'-8"
	5'-0"	6'-11"
80.0	3'-0"	8'-8"
	4'-0"	6'-6"
	4'-7"	5'-8"
100.0	3'-0"	6'-11"
	4'-0"	5'-2"
	4'-3"	4'-10"

TABLE 5B

A.S.D. DESIGN PRESSURE RATING (p.s.f.)	MAX. SLAT SPAN	"L" MAX. STORM BAR SPAN
50.0	3'-0"	13'-4"
	4'-0"	12'-5"
	5'-0"	11'-1"
60.0	3'-0"	12'-9"
	4'-0"	11'-7"
	5'-0"	9'-3"
80.0	3'-0"	11'-6"
	4'-0"	8'-8"
	4'-7"	7'-6"
100.0	3'-0"	9'-2"
	4'-0"	6'-11"
	4'-3"	6'-6"



ELEVATION X
 SCALE: N. T. S.

© 2020 TILTECO INC.

TILTECO INC.

TILLIT TESTING & ENGINEERING COMPANY
 6355 N.W. 36th St., Ste. 305, VIRGINIA GARDENS, FL 33166
 Phone: (305)871-1530 • Fax: (305)871-1531
 e-mail: tilteco@aol.com
 CA-0006719
 WALTER A. TILLIT Jr. P.E.
 FLORIDA Lic. # 44167

50mm SLAT ROLL-UP SHUTTER

ROLLINGSHIELD, INC.

9875 N.W. 79th AVE.
 HIALEAH GARDENS, FL 33016
 Phone: (305)436-6661
 Fax: (305)436-5523

DRAWN BY: M.P.
 DATE: 7/14/2020

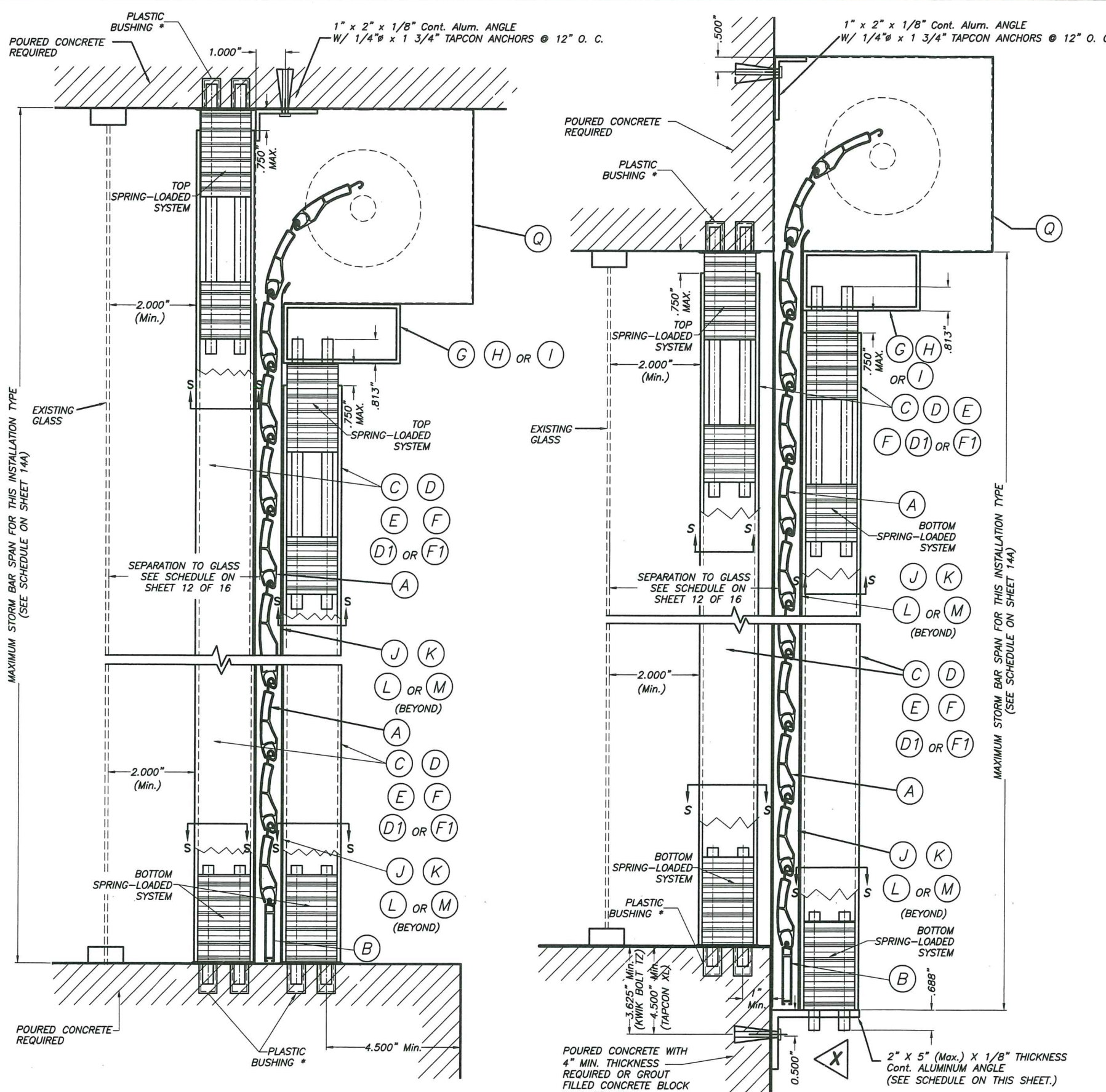
20-200
 DRAWING No

REV. No	DESCRIPTION	DATE	REV. No	DESCRIPTION	DATE
1	OLD 17-232	7/14/2020			
2					

SHEET 5B OF 16

SINGLE SPAN SECTIONS AND DETAILS ARE SIMILAR TO ABOVE SHOWN WITHOUT STORM BAR & HEADERS.

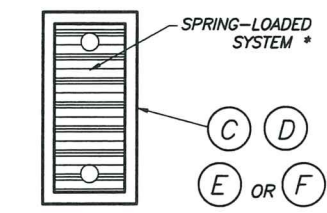
SECTION V - V



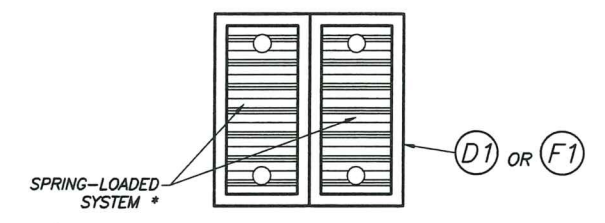
CEILING & FLOOR MOUNTING SECTION V-V(2) INSTALLATION
W/ REMOVABLE STORM BARS W/SPRING-LOADED SYSTEM *
 SCALE : 1/4" = 1"

WALL MOUNTING SECTION V-V(1) INSTALLATION
W/ REMOVABLE STORM BARS W/SPRING-LOADED SYSTEM *
 SCALE : 1/4" = 1"

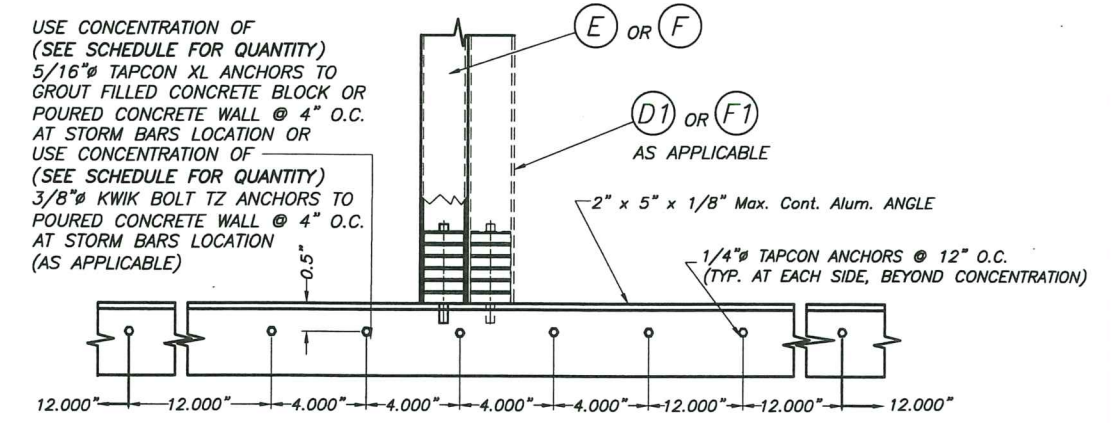
SECTIONS V - V * SEE SHEET 9 OF 16 FOR SPECS. & DETAILS.



SECTION S - S :
SINGLE STORM BAR
 SCALE : 1/2" = 1"



SECTION S - S :
DOUBLE STORM BAR
 SCALE : 1/2" = 1"



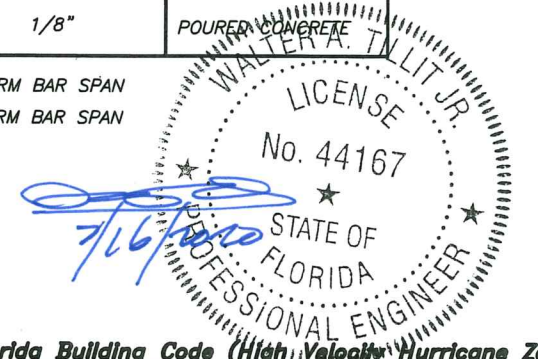
ELEVATION X
 SCALE : 1/8" = 1"

ANCHOR & ANGLE SCHEDULE FOR ELEVATION X

A.S.D. DESIGN PRESSURE RATING (p.s.f)	ANCHOR TYPE & QUANTITY	ANGLE THICKNESS	SUBSTRATE
75.0 OR LESS **	(5) 5/16" Ø TAPCON XL	1/8"	GROUT FILLED CONCRETE BLOCK OR POURED CONCRETE
75.0 OR LESS ***	(2) 3/8" Ø KWIK BOLT TZ	1/8"	POURED CONCRETE

** W/ 4'-0" Max. SLAT SPAN & 8'-0" MAX. STORM BAR SPAN
 *** W/ 4'-0" Max. SLAT SPAN & 8'-0" MAX. STORM BAR SPAN

PRODUCT REVISED
 as complying with the Florida Building Code
 Acceptance No 20-0811.17
 Expiration Date 06/07/2024
 By *Heidi A. Tillit*
 Miami Dade Product Co.



© 2020 TILTECO INC.

TILTECO INC.
 TILLIT TESTING & ENGINEERING COMPANY
 6355 N.W. 36th St., Ste. 305, VIRGINIA GARDENS, FL 33166
 Phone : (305)871-1530 • Fax : (305)871-1531
 e-mail: tilteco@aol.com
 CA-0006719
 WALTER A. TILLIT JR. P.E.
 FLORIDA Lic. # 44167

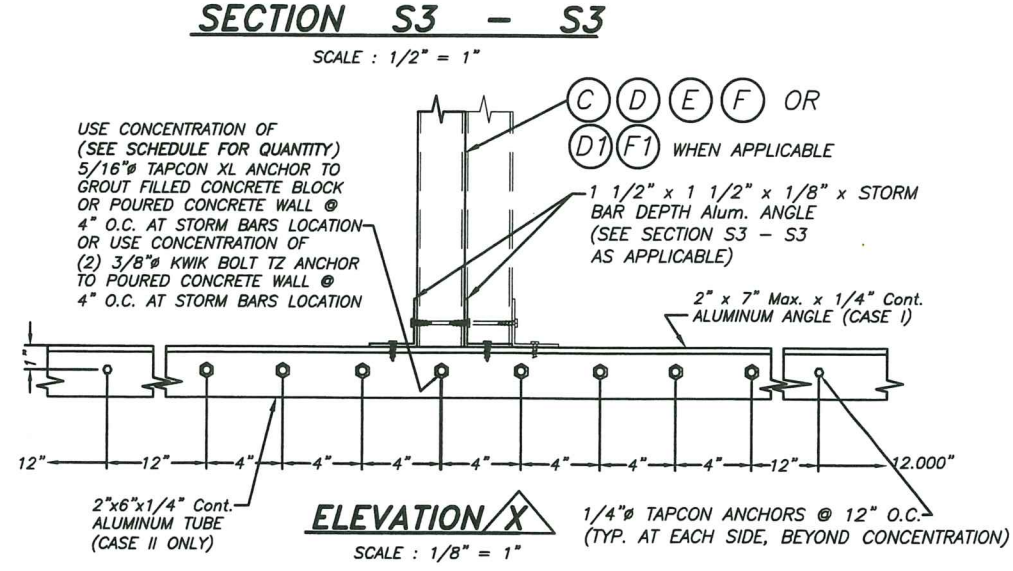
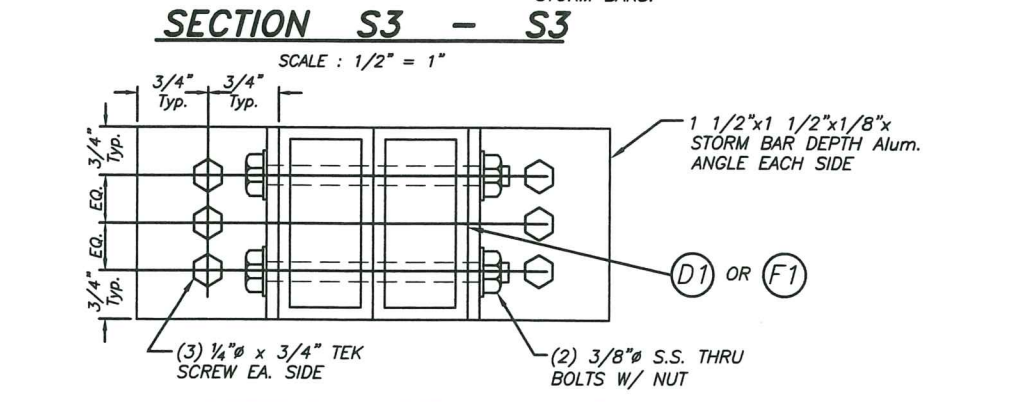
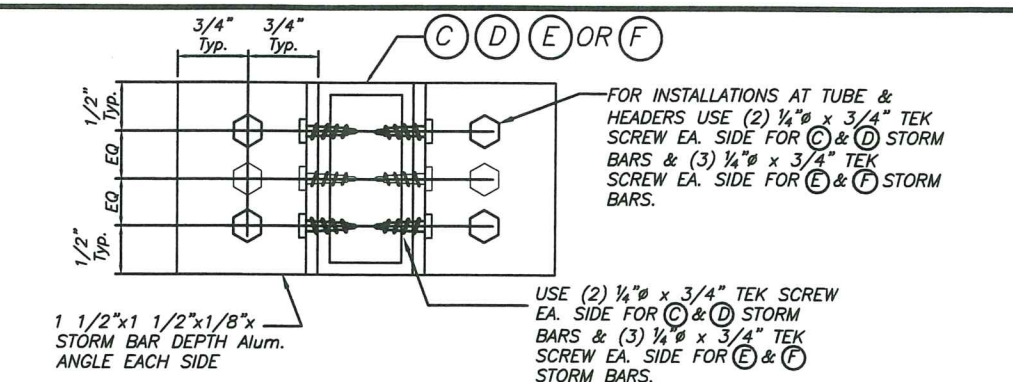
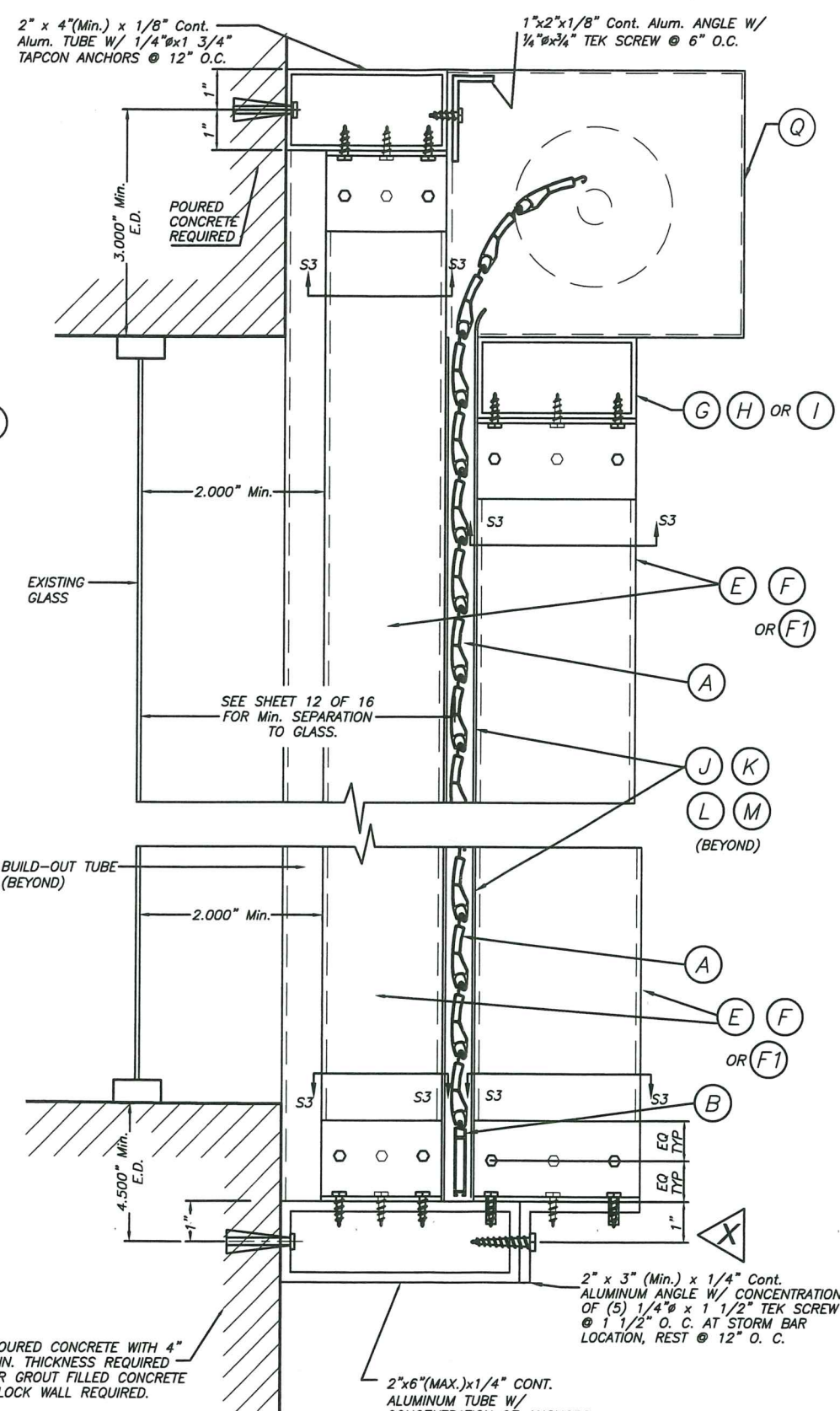
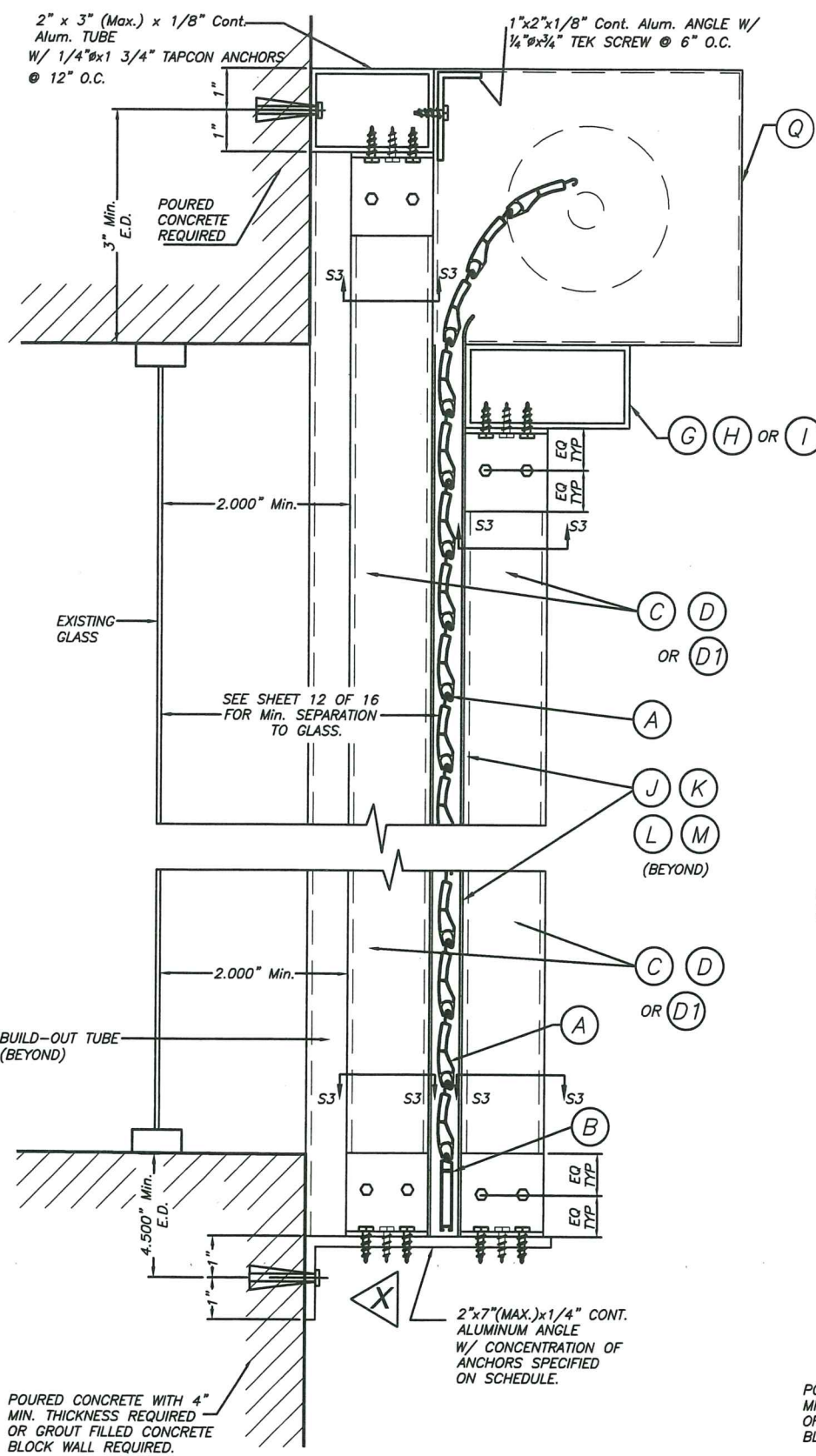
50mm SLAT ROLL-UP SHUTTER

ROLLINGSHIELD, INC.
 9875 N.W. 79th AVE.
 HIALEAH GARDENS, FL 33016
 Phone : (305)436-6661
 Fax : (305)436-5323

Florida Building Code (High Velocity Hurricane Zone)

REV. No	DESCRIPTION	DATE	REV. No	DESCRIPTION	DATE
1	OLD 17-252	7/14/2020			
2					

DRAWN BY: M.P.
 7/14/2020 DATE
 20-200 DRAWING No
 SHEET 6 OF 16



ANCHORS & STORM BARS SCHEDULE FOR ELEVATION X

ANCHOR TYPE & QUANTITY	STORM BAR TYPE
(6) 5/16" TAPCON XL	(C, D)
(8) 5/16" TAPCON XL	(E, F)
(8) 5/16" TAPCON XL	(D1, F1)*

PRODUCT REVISED as complying with the Florida Building Code
 Acceptance No 20-0811.17
 Expiration Date 06/07/2024
 By *Healy*
 Miami Design Product Control

* LIMITED TO 195psf, 3'-1" SPACING & 7'-0" MAX. SPAN STORM BAR (F1)

CASE I
FIXED STORM BAR CONNECTION AT BUILD-OUT
INSTALLATIONS W/SHEET METAL SCREWS OR MACHINE SCREWS

SCALE: 1/4" = 1"

SECTION V - V(3)

NOTE:
 SINGLE SPAN SECTIONS AND DETAILS
 ARE SIMILAR TO ABOVE SHOWN WITHOUT
 STORM BAR & HEADERS.

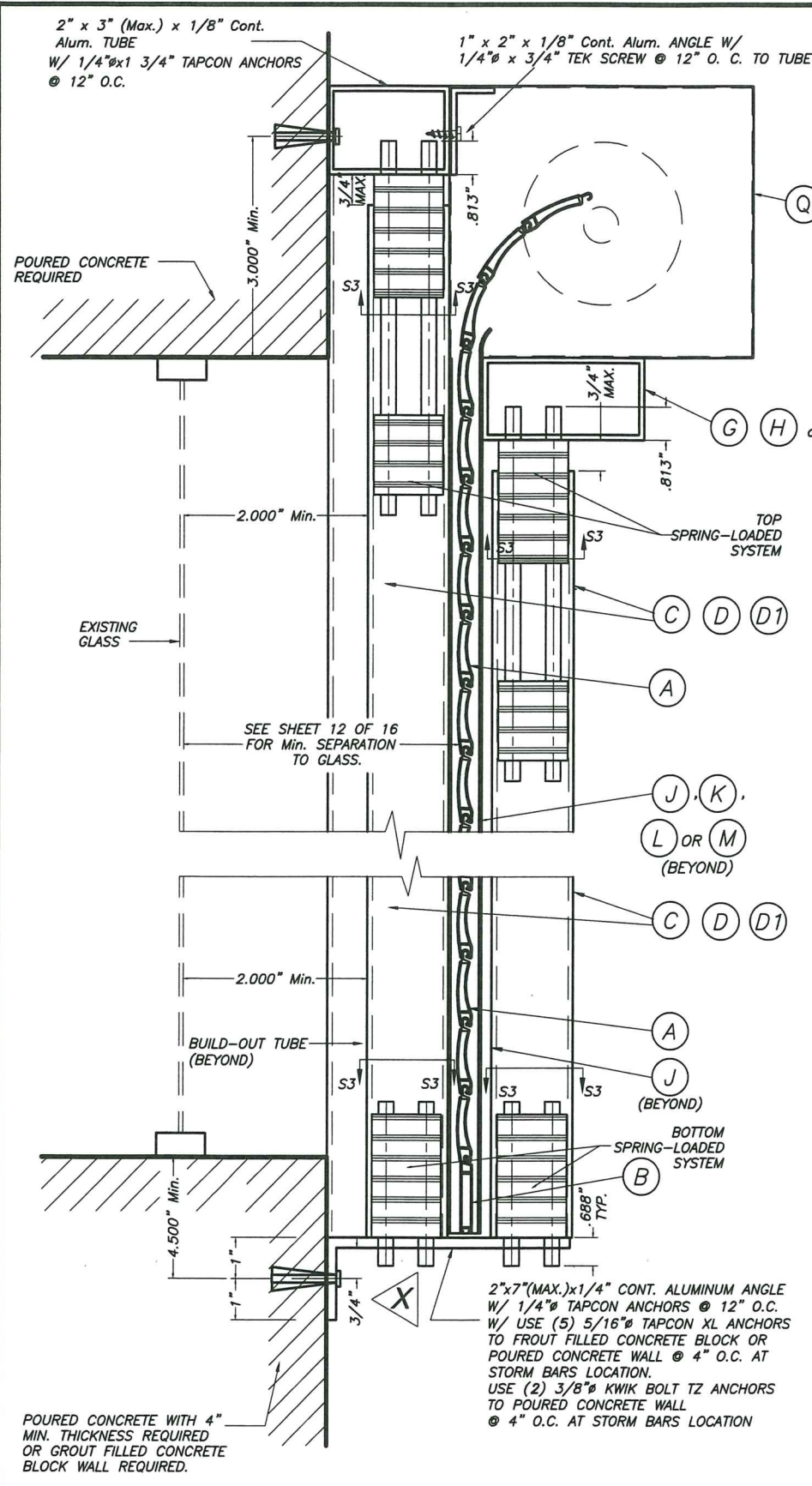
CASE II
WALTER A. TILLIT JR.
 LICENSE
 No. 44167
 STATE OF
 FLORIDA
 PROFESSIONAL ENGINEER

© 2020 TILTECO INC.
TILTECO INC.
 TILLIT TESTING & ENGINEERING COMPANY
 6355 N.W. 36th St., Ste. 305, VIRGINIA GARDENS, FL 33166
 Phone: (305)871-1530 Fax: (305)871-1531
 e-mail: tilteco@aol.com
 CA-0006719
 WALTER A. TILLIT JR. P.E.
 FLORIDA Lic. # 44167

Florida Building Code (High Velocity Hurricane Zone)
50mm SLAT ROLL-UP SHUTTER
ROLLINGSHIELD, INC.
 9875 N.W. 79th AVE.
 HIALEAH GARDENS, FL 33016
 Phone: (305)436-6661
 Fax: (305)436-5523

REV. No	DESCRIPTION	DATE	REV. No	DESCRIPTION	DATE
1	OLD 17-232	7/14/2020			
2					

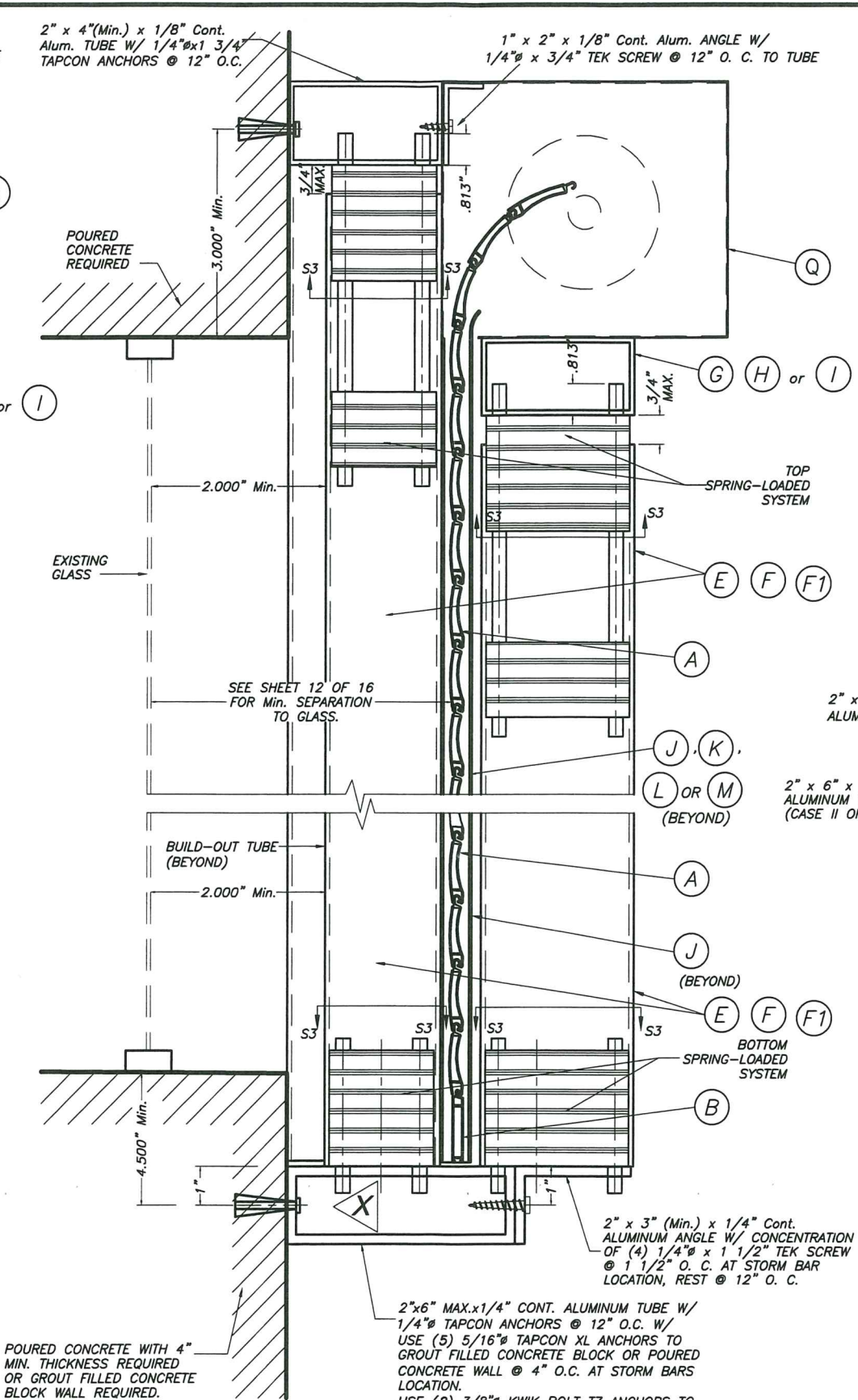
DRAWN BY: M.P.
 DATE: 7/14/2020
20-200
 DRAWING No
 SHEET 7 OF 16



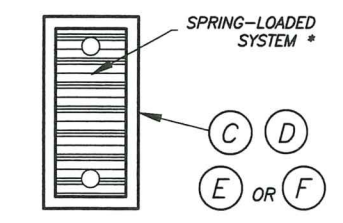
CASE I
REMOVABLE STORM BAR CONNECTION AT BUILD-OUT INSTALLATIONS W/SPRING-LOADED SYSTEM *
 SCALE : 1/4" = 1"

SECTION V - V(3)

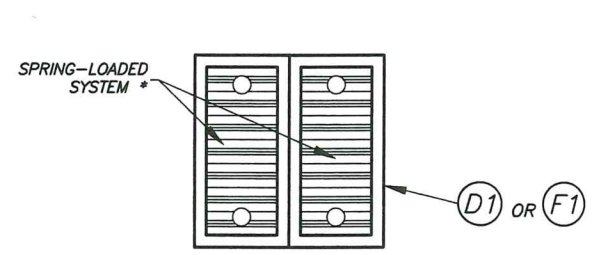
* SEE SHEET 9 OF 16 FOR SPECS. & DETAILS.



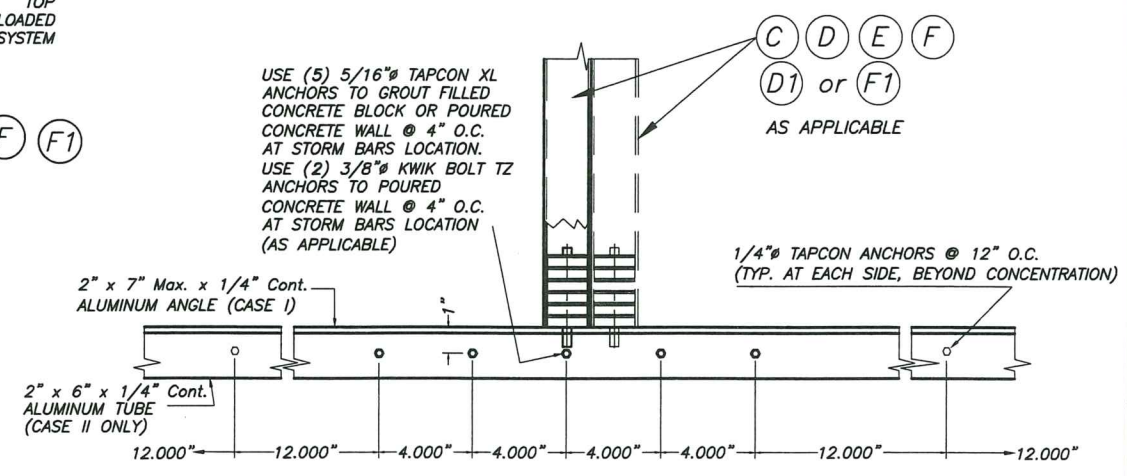
CASE II



SECTION S3 - S3 :
SINGLE STORM BAR
 SCALE : 1/2" = 1"

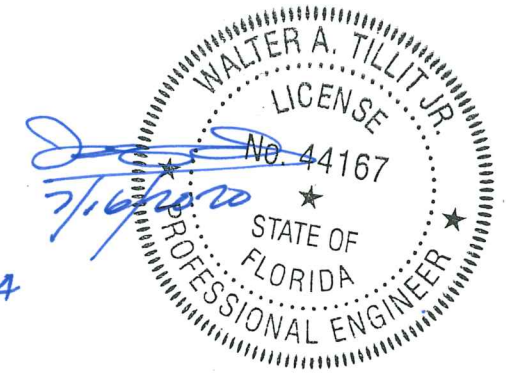


SECTION S3 - S3 :
DOUBLE STORM BAR
 SCALE : 1/2" = 1"



ELEVATION X
 SCALE : 1/8" = 1"

PRODUCT REVISED
 as complying with the Florida
 Building Code
 Acceptance No 20-0811-17
 Expiration Date 06/07/2024
 By *Walter A. Tillit Jr.*
 Miami Data Product Control



© 2020 TILTECO INC.

TILTECO INC.

TILLIT TESTING & ENGINEERING COMPANY
 6355 N.W. 36th St., Ste. 305, VIRGINIA GARDENS, FL 33166
 Phone : (305)871-1530 • Fax : (305)871-1531
 e-mail: tilteco@aol.com
 CA-0006719
 WALTER A. TILLIT Jr. P.E.
 FLORIDA Lic. # 44167

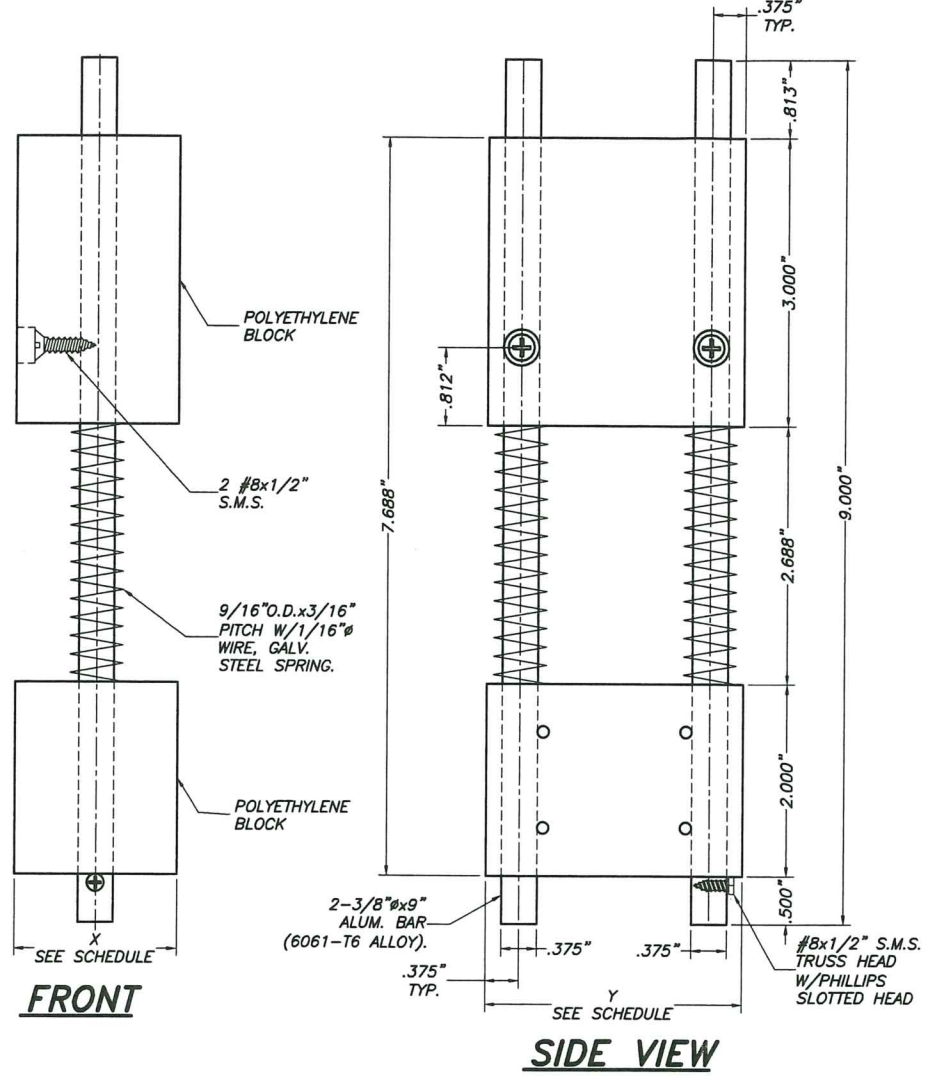
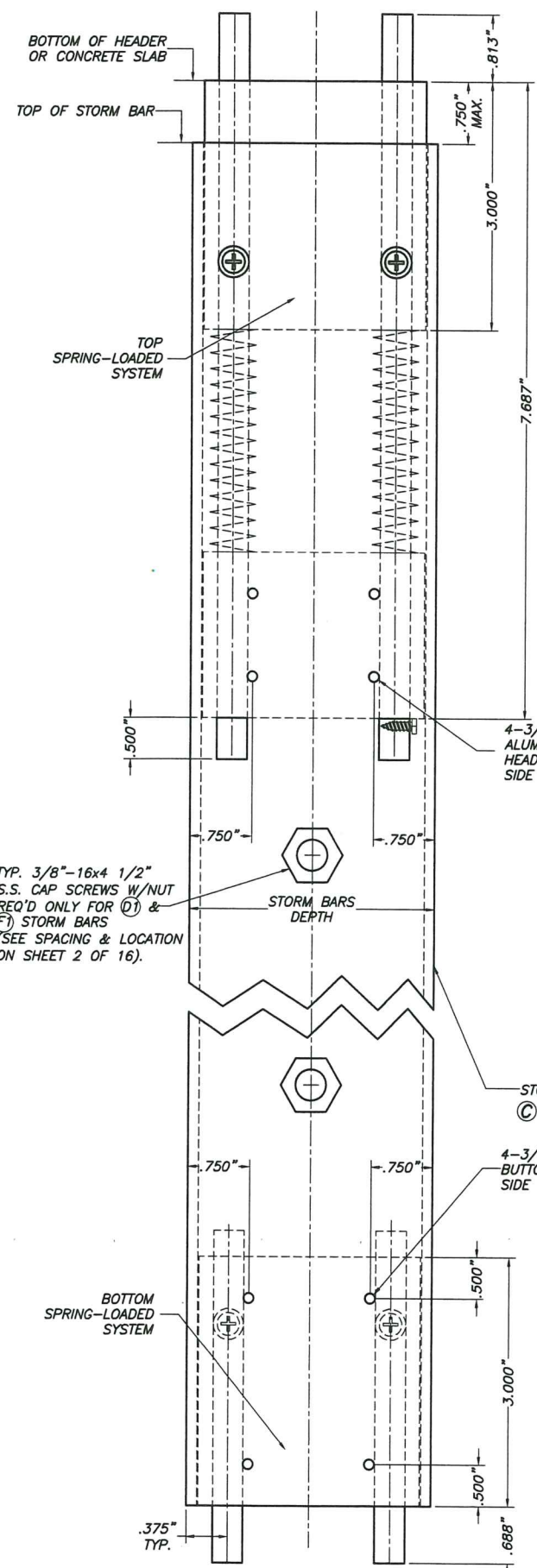
Florida Building Code (High Velocity Hurricane Zone)

50mm SLAT ROLL-UP SHUTTER

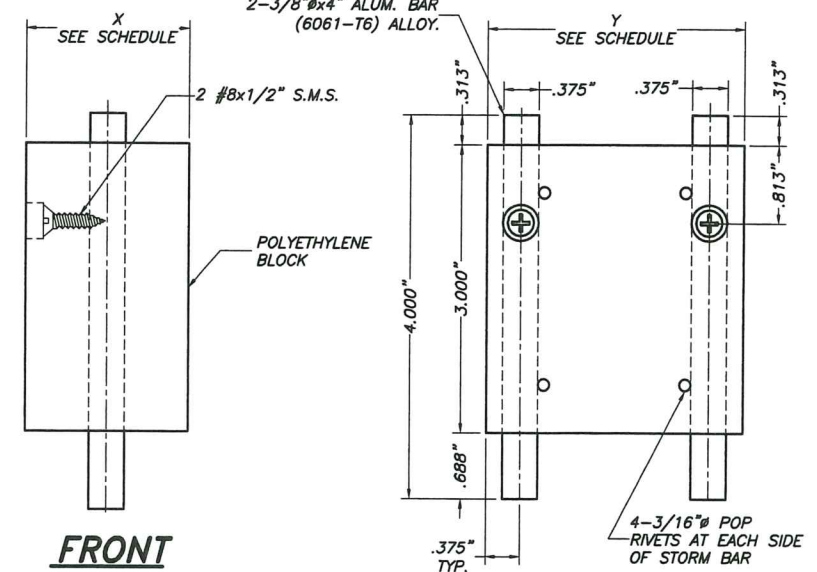
ROLLINGSHIELD, INC.
 9875 N.W. 79th Ave.
 HIALEAH GARDENS, FL 33016
 Phone : (305)436-6661
 Fax : (305)436-5523

DRAWN BY: M.P.
 DATE: 7/14/2020
 DRAWING No: 20-200
 SHEET 8 OF 16

REV. No	DESCRIPTION	DATE	REV. No	DESCRIPTION	DATE
1	OLD 17-232	7/14/2020			
2					

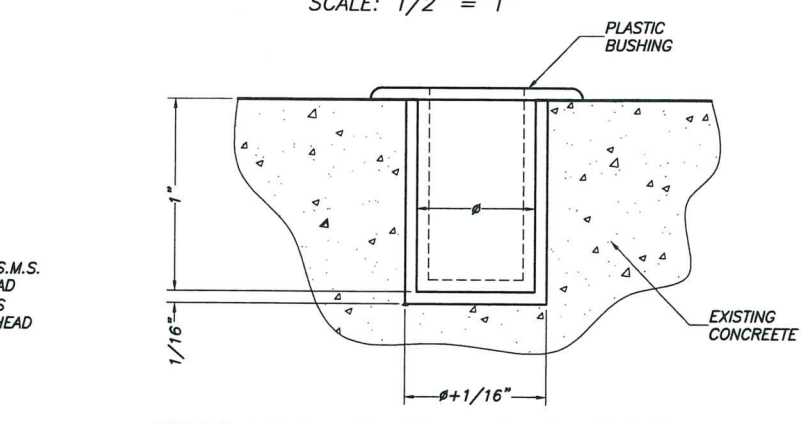


TOP SPRING-LOADED SYSTEM
SCALE: 1/2" = 1"

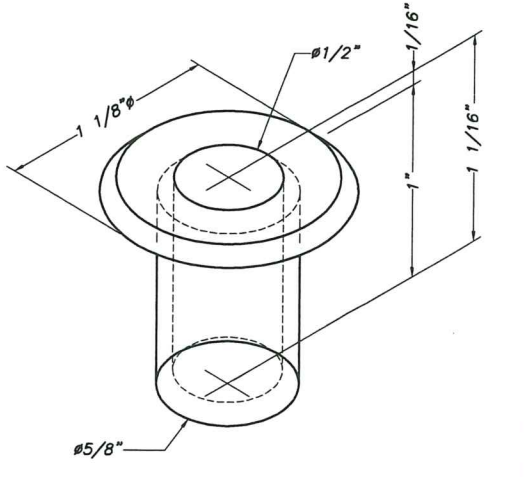


BOTTOM SPRING-LOADED SYSTEM
SCALE: 1/2" = 1"

X, Y DIMENSIONS FOR A GIVEN TYPE OF STORM BAR		
STORM BAR TYPE	X(in)	Y(in)
(C)	1 19/32"	1 19/32"
(D)	1 23/32"	2 23/32"
(E)	1 23/32"	3 23/32"
(F)	1 15/32"	3 15/32"
(D1)	1 23/32"	2 23/32"
(F1)	1 15/32"	3 15/32"



**ENGAGEMENT HOLE DETAIL
(IN CONCRETE) FOR REMOVABLE
SPRING-LOADED STORM BARS**
SCALE: 1" = 1"

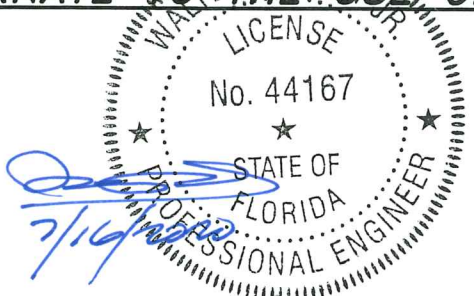


**PLASTIC BUSHING:
DETAIL 1 (ISOMETRIC)**
SCALE: 1" = 1"

- NOTES:
- ENGAGEMENT HOLE DRILLED IN CONCRETE SHALL BE 5/8"Øx1" DEEP, W/1/16" MAX. TOLERANCE IN BOTH DIAMETER & DEPTH.
 - ENGAGEMENT HOLE DRILLED IN CONCRETE SHALL BE PERMANENTLY PROTECTED BY FITTING PLASTIC BUSHING (SEE DETAIL 1) INTO HOLE. IT SHALL BE THE RESPONSIBILITY OF SHUTTERS'S OWNER TO PERMANENTLY KEEP BUSHING FREE OF DUST & MOLD BY REMOVING IT FROM ENGAGEMENT HOLE, CLEANING IT AND REPOSITIONING IT INTO HOLE AS INDICATED ON ABOVE DETAIL.

PRODUCT REVISED
as complying with the Florida
Building Code
Acceptance No 20-0811.17
Expiration Date 06/07/2024
By *Helya Mator*
Miami Dept. Product Control

TYPICAL SPRING-LOADED SYSTEM FOR REMOVABLE STORM BARS AS ALTERNATE TO THE USE OF CALK-IN ANCHORS



TYPICAL CONNECTION TO STORM BARS (SIDE VIEW)

SCALE: 1/2" = 1"

© 2020 TILTECO INC.

TILTECO INC.

TILLIT TESTING & ENGINEERING COMPANY
6355 N.W. 36th St., Ste. 305, VIRGINIA GARDENS, FL 33166
Phone: (305)871-1530 Fax: (305)871-1531
e-mail: tilteco@aol.com

CA-0006719
WALTER A. TILLIT Jr. P.E.
FLORIDA Lic. # 44167

Florida Building Code (High Velocity Hurricane Zone)

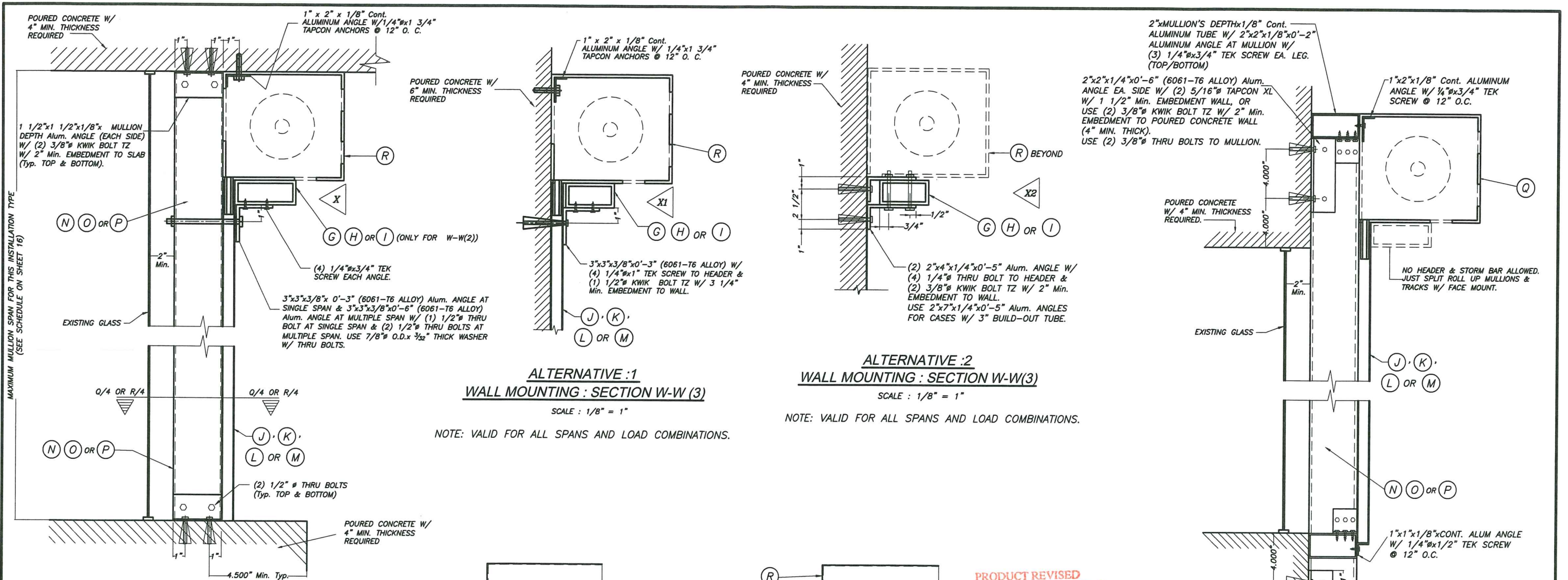
50mm SLAT ROLL-UP SHUTTER

ROLLINGSHIELD, INC.
9875 N.W. 79th AVE.
HIALEAH GARDENS, FL 33016
Phone: (305)436-6661
Fax: (305)436-5523

DRAWN BY: M.P.
DATE: 7/14/2020
20-200
DRAWING No

REV. No	DESCRIPTION	DATE	REV. No	DESCRIPTION	DATE
1	OLD 17-232	7/14/2020			
2					

SHEET 9 OF 16



MAXIMUM MULLION SPAN FOR THIS INSTALLATION TYPE (SEE SCHEDULE ON SHEET 16)

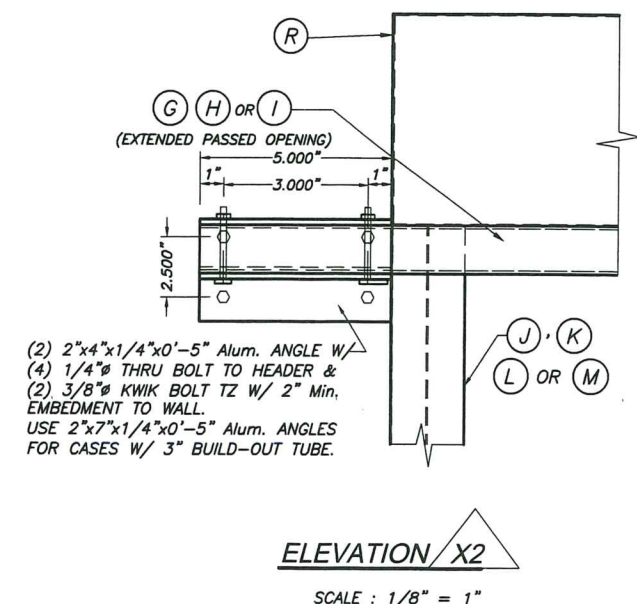
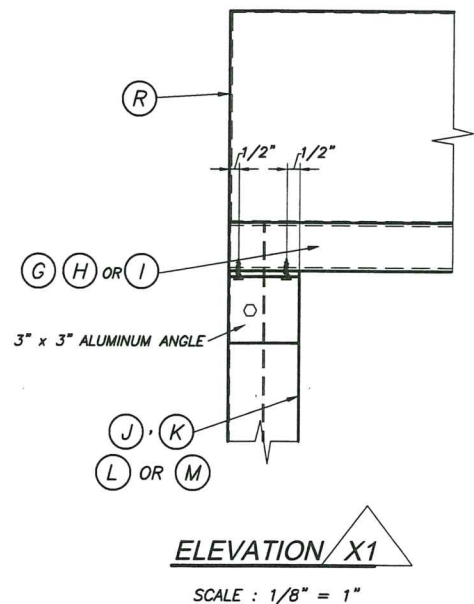
ALTERNATIVE : 1
WALL MOUNTING : SECTION W-W (3)
SCALE : 1/8" = 1"

ALTERNATIVE : 2
WALL MOUNTING : SECTION W-W (3)
SCALE : 1/8" = 1"

NOTE: VALID FOR ALL SPANS AND LOAD COMBINATIONS.

NOTE: VALID FOR ALL SPANS AND LOAD COMBINATIONS.

FLOOR/CEILING MOUNTING :
SECTION W-W (1), W/O HEADER
SECTION W-W (2), W/HEADER
SCALE : 1/8" = 1"

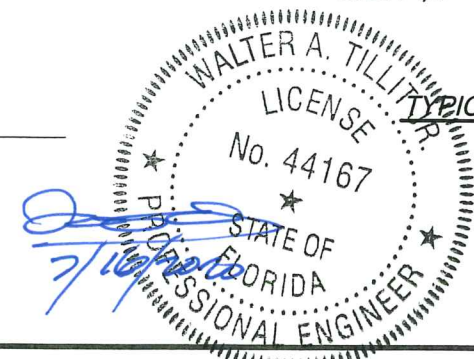


TYPICAL HEADER CONNECTION AT ENDS:
SECTIONS W-W

PRODUCT REVISED
as complying with the Florida Building Code
Acceptance No. **26-0811.17**
Expiration Date **06/07/2024**
By *[Signature]*
Miami Door Product Control

WALL MOUNTING : MULLION CONNECTION
AT TOP & BOTTOM : SECTION W-W (1)
SCALE : 1/8" = 1"

NOTE 1:
EXISTING WALL MAY BE GROUTED CONCRETE BLOCK FOR A.S.D. DESIGN PRESSURE RATING UP TO 130.0 psf W/ 4'-2" Max. MULLION SPAN AND 3'-10" Max. MULLION SPACING AND SHALL BE 4" MIN. THICK POURED CONCRETE FOR ALL GREATER MULLION SPAN AND LOAD COMBINATIONS.



© 2020 TILTECO INC.

TILTECO INC.

TILIT TESTING & ENGINEERING COMPANY
6355 N.W. 36th St., Ste. 305, VIRGINIA GARDENS, FL 33166
Phone : (305)871-1530 • Fax : (305)871-1531
e-mail: tilteco@aol.com

CA-0006719
WALTER A. TILLIT Jr. P.E.
FLORIDA Lic. # 44167

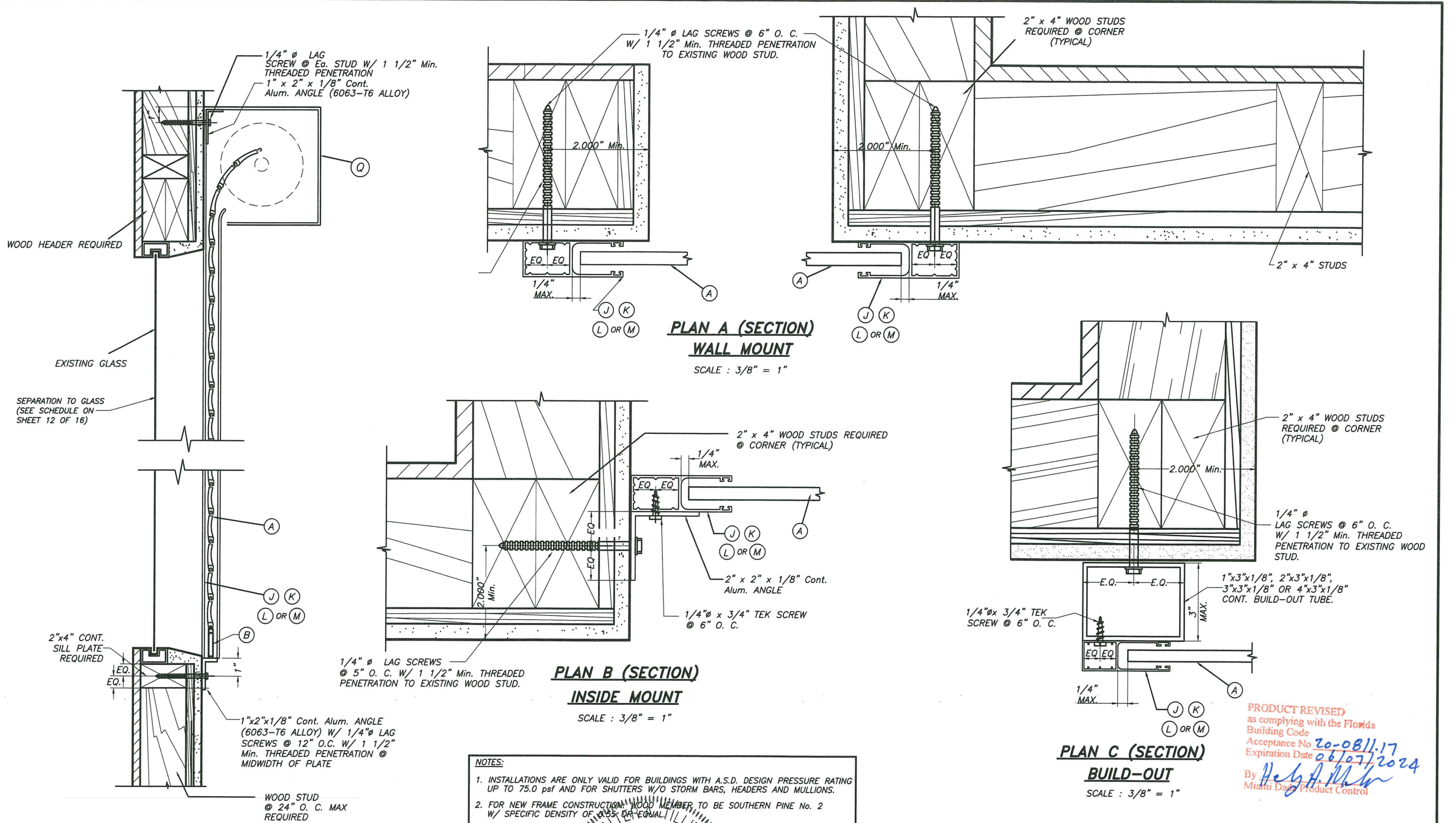
Florida Building Code (High Velocity Hurricane Zone)

50mm SLAT ROLL-UP SHUTTER

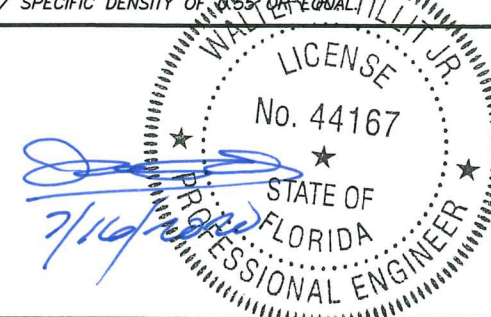
ROLLINGSHIELD, INC.
9875 N.W. 79th AVE.
HIALEAH GARDENS, FL 33016
Phone : (305)436-6661
Fax : (305)436-5523

DRAWN BY: M.P.
7/14/2020 DATE
20-200 DRAWING No
SHEET 10 OF 16

REV. No	DESCRIPTION	DATE	REV. No	DESCRIPTION	DATE
1	OLD 17-232	7/14/2020			
2					



- NOTES:**
- INSTALLATIONS ARE ONLY VALID FOR BUILDINGS WITH A.S.D. DESIGN PRESSURE RATING UP TO 75.0 psf AND FOR SHUTTERS W/O STORM BARS, HEADERS AND MULLIONS.
 - FOR NEW FRAME CONSTRUCTION, WOOD MEMBER TO BE SOUTHERN PINE No. 2 W/ SPECIFIC DENSITY OF 0.55 OR EQUAL.



PRODUCT REVISED
 as complying with the Florida
 Building Code
 Acceptance No 20-0811.17
 Expiration Date 06/07/2024
 By Heidi A. Miller
 Miami Data Product Control

WALL MOUNTING INSTALLATION
SINGLE SPAN CONDITION
 N. T. S.

© 2020 TILTECO INC.

TILTECO INC.

TILLIT TESTING & ENGINEERING COMPANY
 6355 N.W. 36th St., Ste. 305, VIRGINIA GARDENS, FL 33166
 Phone : (305)871-1530 • Fax : (305)871-1531
 e-mail: tilteco@aol.com
 CA-0006719
 WALTER A. TILLIT Jr. P.E.
 FLORIDA Lic. # 44167

Florida Building Code (High Velocity Hurricane Zone)

50mm SLAT ROLL-UP SHUTTER

ROLLINGSHIELD, INC.
 9875 N.W. 79th AVE.
 HIALEAH GARDENS, FL 33016
 Phone : (305)436-6661
 Fax : (305)436-5523

DRAWN BY: M.P.
 7/14/2020 DATE
20-200
 DRAWING No

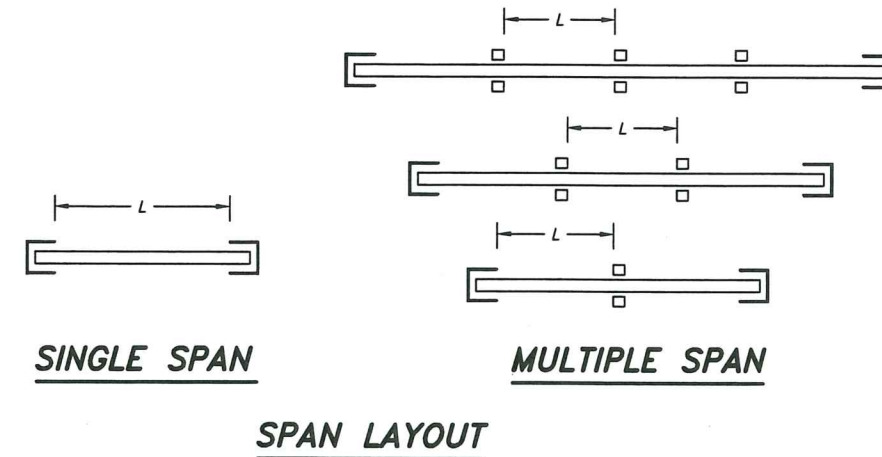
REV. No	DESCRIPTION	DATE	REV. No	DESCRIPTION	DATE
1	OLD 17-252	7/14/2020			
2					

SHEET 11 OF 16

SLAT PERFORMANCE CHART
MAXIMUM A.S.D. DESIGN PRESSURE RATING (p. s. f.)
AND CORRESPONDING MAXIMUM SLAT SPAN "L" FOR TYPE 1 SLAT

(USE MAXIMUM VALUES BETWEEN POSITIVE AND NEGATIVE A.S.D. LOADS)

MAX. A.S.D. DESIGN PRESSURE RATING (p.s.f.)	MAXIMUM SLAT SPAN	MINIMUM SEPARATION TO GLASS	
		SINGLE & MULTIPLE UNIT *	SINGLE & MULTIPLE UNIT **
40.0 OR LESS	5'-9"	3 1/16"	3"
45.0	5'-6"	3 1/16"	3"
50.0	5'-4"	3 1/16"	3"
55.0	5'-2"	3 1/16"	3"
60.0	5'-0"	3 1/16"	3"
65.0	4'-10"	3 1/16"	3"
70.0	4'-9"	3 1/16"	3"
75.0	4'-8"	3 1/16"	3"
80.0	4'-7"	3 1/16"	3"
85.0	4'-6"	3 1/16"	3"
90.0	4'-5"	3 1/16"	3"
95.0	4'-4"	3 1/16"	3"
100.0	4'-3"	3 1/16"	3"
105.0	4'-3"	3 1/16"	3"
110.0	4'-2"	3 1/16"	3"
115.0	4'-1"	3 1/16"	3"
120.0	3'-11"	3 1/16"	2 5/8"
125.0	3'-11"	3 1/16"	2 5/8"
130.0	3'-10"	3 1/16"	2 5/8"
135.0	3'-9"	3 1/16"	2 5/8"
140.0	3'-8"	3 1/16"	2 5/8"
145.0	3'-7"	3 1/16"	2 5/8"
150.0	3'-6"	3 1/16"	2 5/8"



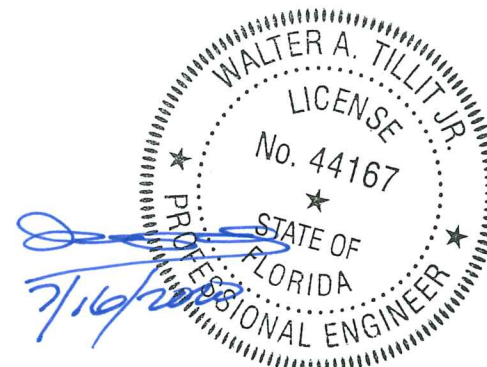
- * SPANS VALID FOR EVERY INSTALLATION LOCATED AT ANY ELEVATION OF BUILDING MEASURED AT BOTTOM OF SHUTTER. MINIMUM SEPARATION TO GLASS FOR SINGLE AND MULTIPLE UNITS SHALL BE MEASURED FROM BACK OF SLAT TO GLASS.
- ** MINIMUM SEPARATION TO GLASS FOR SHUTTERS INSTALLED WITHIN THE FIRST 30'-0" ELEVATION OF BUILDING AND MAXIMUM SPAN. SEE TABLE 1 FOR Min. SEPARATION TO GLASS FOR SPANS LESS THAN THE Max. ALLOWED.
- *** MINIMUM SEPARATION TO GLASS FOR SHUTTERS INSTALLED ABOVE 30'-0" ELEVATION OF BUILDING, MEASURED AT BOTTOM OF SHUTTER.

TABLE 1:

SLAT SPAN (ft.)	MINIMUM SEPARATION TO GLASS
69" OR LESS	3 1/16"

NOTE : THE TOTAL SLAT DEFLECTION AFTER ADDING THE DEFLECTION OF THE HEADER AND/OR THE STORM BAR SHALL NOT EXCEED A MAXIMUM OF 2" OR L/30 IN THE POSITIVE DIRECTION AND A MAXIMUM OF L/30 IN THE NEGATIVE DIRECTION.

PRODUCT REVISED
as complying with the Florida Building Code
Acceptance No. 20-0811.17
Expiration Date 06/07/2024
By Heidi A. Miller
Miami Design Product Control



© 2020 TILTECO INC.		Florida Building Code (High Velocity Hurricane Zone)			
 TILTECO INC. TILLIT TESTING & ENGINEERING COMPANY 6355 N.W. 36th St., Ste. 305, VIRGINIA GARDENS, FL 33166 Phone : (305)871-1530 . Fax : (305)871-1531 e-mail: tilteco@aol.com CA-0006719 WALTER A. TILLIT Jr. P.E. FLORIDA Lic. # 44167		50mm SLAT ROLL-UP SHUTTER ROLLINGSIELD, INC. 9875 N.W. 79th AVE. HIALEAH GARDENS, FL 33016 Phone : (305)436-6661 Fax : (305)436-5523	DRAWN BY: M.P. 7/14/2020 DATE 20-200 DRAWING No SHEET 12 OF 16		
REV. No	DESCRIPTION	DATE	REV. No	DESCRIPTION	DATE
1	OLD 17-232	7/14/2020			
2					

STORM BAR LOADING CHART
MAXIMUM A.S.D. DESIGN PRESSURE RATING (p. s. f.) AND CORRESPONDING MAXIMUM SPAN "L" FOR
A GIVEN TYPE OF STORM BAR AND STORM BAR SPACING.

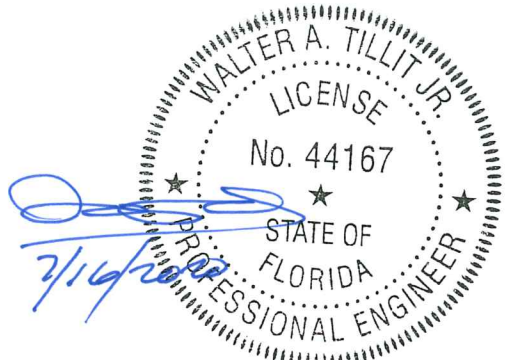
(USE MAXIMUM VALUES BETWEEN POSITIVE AND NEGATIVE A.S.D. LOADS)

MAX. SPAN FOR STORM BARS W/REGULAR CONCRETE ANCHORS

MAX. A.S.D. DESIGN PRESSURE RATING (p.s.f.)	C TYPE 1 STORM BAR 2" x 2" x 3/16"				D TYPE 2 STORM BAR 2" x 3" x 1/8"				E TYPE 3 STORM BAR 2" x 4" x 1/8"			
	* STORM BAR SPACING				* STORM BAR SPACING				* STORM BAR SPACING			
	≤ 3'-0"	3' TO 4'	4' TO 5'	5' TO 6'	≤ 3'-0"	3' TO 4'	4' TO 5'	5' TO 6'	≤ 3'-0"	3' TO 4'	4' TO 5'	5' TO 6'
40 OR LESS	6'-0"	6'-0"	6'-0"	5'-7"	8'-0"	7'-9"	7'-0"	6'-4"	10'-3"	9'-6"	8'-6"	7'-9"
45	6'-0"	6'-0"	5'-9"	5'-3"	8'-0"	7'-4"	6'-7"	6'-0"	9'-11"	8'-11"	8'-0"	7'-4"
50	6'-0"	6'-0"	5'-6"	5'-0"	8'-0"	7'-0"	6'-3"	5'-8"	9'-8"	8'-6"	7'-7"	6'-11"
55	6'-0"	5'-10"	5'-3"	4'-9"	7'-8"	6'-8"	5'-11"	5'-5"	9'-4"	8'-1"	7'-3"	6'-7"
60	6'-0"	5'-7"	5'-0"	4'-7"	7'-4"	6'-4"	5'-8"	5'-2"	8'-11"	7'-9"	6'-11"	6'-4"
65	6'-0"	5'-5"	4'-10"	4'-5"	7'-1"	6'-1"	5'-6"	5'-0"	8'-7"	7'-5"	6'-8"	6'-1"
70	6'-0"	5'-2"	4'-8"	4'-3"	6'-10"	5'-11"	5'-3"	4'-10"	8'-3"	7'-2"	6'-5"	5'-10"
75	5'-9"	5'-0"	4'-6"	4'-1"	6'-7"	5'-8"	5'-1"	4'-8"	8'-0"	6'-11"	6'-2"	5'-8"
80	5'-7"	4'-10"	4'-4"	4'-0"	6'-4"	5'-6"	4'-11"	4'-6"	7'-9"	6'-9"	6'-0"	5'-6"
85	5'-5"	4'-8"	4'-3"	3'-10"	6'-2"	5'-4"	4'-9"	4'-4"	7'-6"	6'-6"	5'-10"	5'-4"
90	5'-3"	4'-7"	4'-1"	3'-9"	6'-0"	5'-2"	4'-8"	4'-3"	7'-4"	6'-4"	5'-8"	5'-2"
95	5'-2"	4'-5"	4'-0"	3'-8"	5'-10"	5'-1"	4'-6"	4'-1"	7'-1"	6'-2"	5'-6"	5'-0"
100	5'-0"	4'-4"	3'-11"	3'-7"	5'-8"	4'-11"	4'-5"	4'-0"	6'-11"	6'-0"	5'-4"	4'-11"
105	4'-11"	4'-3"	3'-9"	3'-6"	5'-7"	4'-10"	4'-4"	3'-11"	6'-9"	5'-10"	5'-3"	4'-9"
110	4'-9"	4'-2"	3'-8"	3'-5"	5'-5"	4'-8"	4'-2"	3'-10"	6'-7"	5'-9"	5'-1"	4'-8"
115	4'-8"	4'-1"	3'-7"	3'-4"	5'-4"	4'-7"	4'-1"	3'-9"	6'-6"	5'-7"	5'-0"	4'-7"
120	4'-7"	4'-0"	3'-7"	3'-3"	5'-2"	4'-6"	4'-0"	3'-8"	6'-4"	5'-6"	4'-11"	4'-6"
125	4'-6"	3'-11"	3'-6"	3'-2"	5'-1"	4'-5"	3'-11"	3'-7"	6'-2"	5'-4"	4'-10"	4'-5"
130	4'-5"	3'-10"	3'-5"	3'-1"	5'-0"	4'-4"	3'-10"	3'-6"	6'-1"	5'-3"	4'-9"	4'-4"
135	4'-4"	3'-9"	3'-4"	3'-1"	4'-11"	4'-3"	3'-9"	3'-6"	6'-0"	5'-2"	4'-7"	4'-3"
140	4'-3"	3'-8"	3'-3"	3'-0"	4'-10"	4'-2"	3'-9"	3'-5"	5'-10"	5'-1"	4'-6"	4'-2"
145	4'-2"	3'-7"	3'-3"	2'-11"	4'-9"	4'-1"	3'-8"	3'-4"	5'-9"	5'-0"	4'-6"	4'-1"
150	4'-1"	3'-7"	3'-2"	2'-11"	4'-8"	4'-0"	3'-7"	3'-3"	5'-8"	4'-11"	4'-5"	4'-0"

* STORM BAR SPACING SHALL BE SUCH THAT MAXIMUM SLAT SPAN SHALL NOT BE EXCEEDED.

PRODUCT REVISED
as complying with the Florida
Building Code
Acceptance No 20-0811.17
Expiration Date 06/07/2024
By *Heidi A. Miller*
Miami Dept. Product Control



© 2020 TILTECO INC.

TILTECO INC.

TILLIT TESTING & ENGINEERING COMPANY
6355 N.W. 36th St., Ste. 305, VIRGINIA GARDENS, FL. 33166
Phone : (305)871-1530 . Fax : (305)871-1531
e-mail: tilteco@aol.com
CA-0006719
WALTER A. TILLIT Jr. P.E.
FLORIDA Lic. # 44167

Florida Building Code (High Velocity Hurricane Zone)

50mm SLAT ROLL-UP SHUTTER

ROLLINGSHIELD, INC.

9875 N.W. 79th AVE.
HIALEAH GARDENS, FL. 33016
Phone : (305)436-6661
Fax : (305)436-5523

REV. No	DESCRIPTION	DATE	REV. No	DESCRIPTION	DATE
1	OLD 17-232	7/14/2020			
2					

DRAWN BY: M.P.
7/14/2020 DATE
20-200
DRAWING No
SHEET 13 OF 16

STORM BAR LOADING CHART
MAXIMUM A.S.D. DESIGN PRESSURE RATING (p. s. f.) AND CORRESPONDING MAXIMUM SPAN "L" FOR
A GIVEN TYPE OF STORM BAR AND STORM BAR SPACING.

(USE MAXIMUM VALUES BETWEEN POSITIVE AND NEGATIVE A.S.D. LOADS)

MAX. SPAN FOR STORM BARS W/REGULAR CONCRETE ANCHORS

MAX. A.S.D. DESIGN PRESSURE RATING (p.s.f.)	ⓕ TYPE 4 STORM BAR 2" x 4" x 1/4"				ⓓ1 TYPE 5 STORM BAR (2) 2" x 3" x 1/8"				ⓕ1 TYPE 6 STORM BAR (2) 2" x 4" x 1/4"			
	* STORM BAR SPACING				* STORM BAR SPACING				* STORM BAR SPACING			
	≤ 3'-0"	3' TO 4'	4' TO 5'	5' TO 6'	≤ 3'-0"	3' TO 4'	4' TO 5'	5' TO 6'	≤ 3'-0"	3' TO 4'	4' TO 5'	5' TO 6'
40 OR LESS	11'-10"	11'-0"	10'-5"	9'-11"	10'-3"	9'-6"	9'-0"	8'-7"	14'-1"	13'-1"	12'-5"	11'-10"
45	11'-6"	10'-8"	10'-1"	9'-8"	9'-11"	9'-3"	8'-9"	8'-4"	13'-8"	12'-9"	12'-0"	11'-6"
50	11'-2"	10'-5"	9'-10"	9'-2"	9'-8"	9'-0"	8'-6"	8'-1"	13'-4"	12'-5"	11'-9"	11'-2"
55	10'-11"	10'-2"	9'-7"	8'-9"	9'-5"	8'-9"	8'-4"	7'-8"	13'-0"	12'-1"	11'-5"	10'-11"
60	10'-8"	9'-11"	9'-2"	8'-5"	9'-3"	8'-7"	8'-1"	7'-4"	12'-9"	11'-10"	11'-2"	10'-8"
65	10'-6"	9'-9"	8'-10"	8'-1"	9'-1"	8'-5"	7'-9"	7'-1"	12'-6"	11'-7"	11'-0"	10'-6"
70	10'-4"	9'-6"	8'-6"	7'-9"	8'-11"	8'-3"	7'-6"	6'-10"	12'-3"	11'-5"	10'-9"	10'-4"
75	10'-1"	9'-2"	8'-3"	7'-6"	8'-9"	8'-1"	7'-3"	6'-7"	12'-0"	11'-2"	10'-7"	10'-1"
80	9'-11"	8'-11"	7'-11"	7'-3"	8'-7"	7'-10"	7'-0"	6'-5"	11'-10"	11'-0"	10'-5"	9'-11"
85	9'-10"	8'-7"	7'-9"	7'-0"	8'-5"	7'-7"	6'-9"	6'-2"	11'-8"	10'-10"	10'-3"	9'-10"
90	9'-8"	8'-5"	7'-6"	6'-10"	8'-4"	7'-4"	6'-7"	6'-0"	11'-6"	10'-8"	10'-1"	9'-8"
95	9'-5"	8'-2"	7'-4"	6'-8"	8'-3"	7'-2"	6'-5"	5'-10"	11'-4"	10'-7"	10'-0"	9'-5"
100	9'-2"	7'-11"	7'-1"	6'-6"	8'-1"	7'-0"	6'-3"	5'-9"	11'-2"	10'-5"	9'-10"	9'-2"
105	8'-11"	7'-9"	6'-11"	6'-4"	7'-11"	6'-10"	6'-1"	5'-7"	11'-1"	10'-4"	9'-9"	8'-11"
110	8'-9"	7'-7"	6'-9"	6'-2"	7'-8"	6'-8"	6'-0"	5'-5"	10'-11"	10'-2"	9'-7"	8'-9"
115	8'-7"	7'-5"	6'-8"	6'-1"	7'-6"	6'-6"	5'-10"	5'-4"	10'-10"	10'-1"	9'-4"	8'-7"
120	8'-5"	7'-3"	6'-6"	5'-11"	7'-4"	6'-5"	5'-9"	5'-3"	10'-8"	9'-11"	9'-2"	8'-4"
125	8'-3"	7'-1"	6'-4"	5'-10"	7'-3"	6'-3"	5'-7"	5'-1"	10'-7"	9'-10"	9'-0"	8'-2"
130	8'-1"	7'-0"	6'-3"	5'-8"	7'-1"	6'-2"	5'-6"	5'-0"	10'-6"	9'-9"	8'-10"	8'-0"
135	7'-11"	6'-10"	6'-1"	5'-7"	6'-11"	6'-0"	5'-5"	4'-11"	10'-5"	9'-8"	8'-8"	7'-11"
140	7'-9"	6'-9"	6'-0"	5'-6"	6'-10"	5'-11"	5'-3"	4'-10"	10'-4"	9'-6"	8'-6"	7'-9"
145	7'-7"	6'-7"	5'-11"	5'-5"	6'-8"	5'-10"	5'-2"	4'-9"	10'-2"	9'-4"	8'-4"	7'-7"
150	7'-6"	6'-6"	5'-10"	5'-4"	6'-7"	5'-9"	5'-1"	4'-8"	10'-1"	9'-2"	8'-2"	7'-6"

* STORM BAR SPACING SHALL BE SUCH THAT MAXIMUM SLAT SPAN SHALL NOT BE EXCEEDED.

PRODUCT REVISED
as complying with the Florida
Building Code
Acceptance No 20-0811.17
Expiration Date 06/07/2024
By *Heidi A. Mohr*
Miami Data Product Control



© 2020 TILTECO INC.

TILTECO INC.

TILLIT TESTING & ENGINEERING COMPANY
6355 N.W. 36th St., Ste. 305, VIRGINIA GARDENS, FL. 33166
Phone : (305)871-1530 Fax : (305)871-1531
e-mail: tilteco@aol.com
CA-0006719
WALTER A. TILLIT Jr. P.E.
FLORIDA Lic. # 44167

Florida Building Code (High Velocity Hurricane Zone)

50mm SLAT ROLL-UP SHUTTER

ROLLINGSHIELD, INC.
9875 N.W. 79th AVE.
HIALEAH GARDENS, FL. 33016
Phone : (305)436-8661
Fax : (305)436-5523

REV. No	DESCRIPTION	DATE	REV. No	DESCRIPTION	DATE
1	OLD 17-232	7/14/2020			
2					

DRAWN BY: M.P.
7/14/2020 DATE
20-200
DRAWING No
SHEET 14 OF 16

STORM BAR LOADING CHART

**MAXIMUM A.S.D. DESIGN PRESSURE RATING (p. s. f.) AND CORRESPONDING MAXIMUM SPAN "L" FOR
A GIVEN TYPE OF STORM BAR AND STORM BAR SPACING.**
(USE MAXIMUM VALUES BETWEEN POSITIVE AND NEGATIVE A.S.D. LOADS)

MAX. SPAN FOR STORM BARS W/SPRING-LOADED SYSTEM

MAX. A.S.D. DESIGN PRESSURE RATING (p.s.f.)	C TYPE 1 STORM BAR 2" x 2" x 3/16"		D TYPE 2 STORM BAR 2" x 3" x 1/8"		E TYPE 3 STORM BAR 2" x 4" x 1/8"	
	* STORM BAR SPACING		* STORM BAR SPACING		* STORM BAR SPACING	
	≤ 3'-0"	3' TO 4'	≤ 3'-0"	3' TO 4'	≤ 3'-0"	3' TO 4'
40 OR LESS	4'-5"	3'-4"	8'-0"	6'-0"	10'-0"	7'-9"
45	3'-11"	3'-0"	7'-1"	5'-4"	9'-2"	6'-11"
50	3'-7"	2'-8"	6'-5"	4'-10"	8'-3"	6'-2"
55	3'-3"	2'-5"	5'-10"	4'-4"	7'-6"	5'-8"
60	3'-0"	2'-3"	5'-4"	4'-0"	6'-11"	5'-2"
65	2'-9"	2'-1"	4'-11"	3'-8"	6'-4"	4'-9"
70	2'-6"	1'-11"	4'-7"	3'-5"	5'-11"	4'-5"
75	2'-4"	1'-9"	4'-3"	3'-2"	5'-6"	4'-1"

* STORM BAR SPACING SHALL BE SUCH THAT MAXIMUM SLAT SPAN SHALL NOT BE EXCEEDED.

STORM BAR LOADING CHART

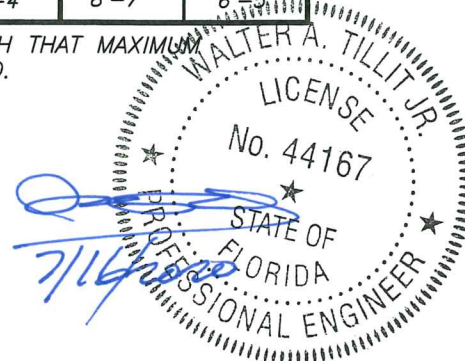
**MAXIMUM A.S.D. DESIGN PRESSURE RATING (p. s. f.) AND CORRESPONDING MAXIMUM SPAN "L" FOR
A GIVEN TYPE OF STORM BAR AND STORM BAR SPACING.**
(USE MAXIMUM VALUES BETWEEN POSITIVE AND NEGATIVE A.S.D. LOADS)

MAX. SPAN FOR STORM BARS W/SPRING-LOADED SYSTEM

MAX. A.S.D. DESIGN PRESSURE RATING (p.s.f.)	F TYPE 4 STORM BAR 2" x 4" x 1/4"		D1 TYPE 5 STORM BAR (2) 2" x 3" x 1/8"		F1 TYPE 6 STORM BAR (2) 2" x 4" x 1/4"	
	* STORM BAR SPACING		* STORM BAR SPACING		* STORM BAR SPACING	
	≤ 3'-0"	3' TO 4'	≤ 3'-0"	3' TO 4'	≤ 3'-0"	3' TO 4'
40 OR LESS	10'-4"	7'-9"	10'-3"	9'-6"	14'-1"	12'-1"
45	9'-2"	6'-11"	9'-11"	8'-11"	13'-8"	10'-8"
50	8'-3"	6'-2"	9'-8"	8'-0"	12'-10"	9'-8"
55	7'-6"	5'-8"	9'-5"	7'-3"	11'-8"	8'-9"
60	6'-11"	5'-2"	8'-11"	6'-8"	10'-8"	8'-0"
65	6'-4"	4'-9"	8'-2"	6'-2"	9'-11"	7'-5"
70	5'-11"	4'-5"	7'-7"	5'-9"	9'-2"	6'-11"
75	5'-6"	4'-1"	7'-1"	5'-4"	8'-7"	6'-5"

* STORM BAR SPACING SHALL BE SUCH THAT MAXIMUM SLAT SPAN SHALL NOT BE EXCEEDED.

PRODUCT REVISED
as complying with the Florida
Building Code
Acceptance No 20-0811.17
Expiration Date 06/07/2024
By *H. A. Miller*
Miami Design Product Control



Florida Building Code (High Velocity Hurricane Zone)

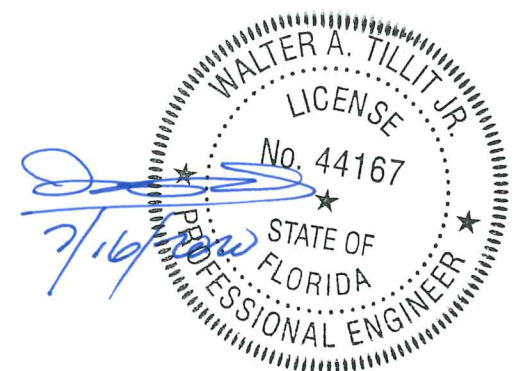
© 2020 TILTECO INC.		50mm SLAT ROLL-UP SHUTTER		DRAWN BY: M.P
 TILTECO Inc. TILLIT TESTING & ENGINEERING COMPANY 6355 N.W. 36th. St., Ste. 305, VIRGINIA GARDENS, FL. 33166 Phone : (305)871-1530 - Fax : (305)871-1531 e-mail: tilteco@aol.com CA-0006719 WALTER A. TILLIT Jr. P.E. FLORIDA Lic. # 44167		ROLLINGSHIELD, INC. 9875 N.W. 79th AVE. HIALEAH GARDENS, FL. 33016 Phone : (305)436-6661 Fax : (305)436-5523		7/14/2020 DATE
				20-200 DRAWING No
REV. No	DESCRIPTION	DATE	REV. No	DESCRIPTION
1	OLD 17-232	7/14/2020		
2				
				SHEET 14A OF 16

**HEADER LOADING CHART MAXIMUM A.S.D. DESIGN PRESSURE RATING (p. s. f.) AND
CORRESPONDING MAXIMUM SPAN "L" FOR A GIVEN TYPE OF HEADER.**

(USE MAXIMUM VALUES BETWEEN POSITIVE AND NEGATIVE A.S.D. LOADS)

MAX. A.S.D. DESIGN PRESSURE RATING (p.s.f.)	Ⓒ TYPE 1 HEADER 2" x 3" x 1/8"		Ⓓ TYPE 2 HEADER 2" x 4" x 1/8"		Ⓘ TYPE 3 HEADER 2" x 4" x 1/4"				
	STORM BAR HEIGHT		STORM BAR HEIGHT		STORM BAR HEIGHT				
	≤ 5'-0"	5' TO 7'	≤ 5'-0"	5' TO 8'	≤ 6'-0"	6' TO 8'	8' TO 10'	10' TO 12'	12' TO 14'
40.0	9'-11"	8'-4"	12'-2"	9'-8"	14'-10"	12'-10"	11'-6"	10'-6"	9'-9"
45.0	9'-4"	7'-11"	11'-6"	9'-1"	14'-0"	12'-2"	10'-10"	9'-11"	9'-2"
50.0	8'-10"	7'-6"	10'-11"	8'-8"	13'-4"	11'-6"	10'-4"	9'-5"	8'-8"
55.0	8'-5"	7'-2"	10'-5"	8'-3"	12'-8"	11'-0"	9'-10"	9'-0"	8'-4"
60.0	8'-1"	6'-10"	10'-0"	7'-11"	12'-2"	10'-6"	9'-5"	8'-7"	7'-11"
65.0	7'-9"	6'-7"	9'-7"	7'-7"	11'-8"	10'-1"	9'-0"	8'-3"	7'-8"
70.0	7'-6"	6'-4"	9'-3"	7'-4"	11'-3"	9'-9"	8'-8"	7'-11"	7'-4"
75.0	7'-3"	6'-1"	8'-11"	7'-1"	10'-10"	9'-5"	8'-5"	7'-8"	7'-1"
80.0	7'-0"	5'-11"	8'-8"	6'-10"	10'-6"	9'-1"	8'-2"	7'-5"	6'-11"
85.0	6'-9"	5'-9"	8'-5"	6'-7"	10'-2"	8'-10"	7'-11"	7'-3"	6'-8"
90.0	6'-7"	5'-7"	8'-2"	6'-5"	9'-11"	8'-7"	7'-8"	7'-0"	6'-6"
95.0	6'-5"	5'-5"	7'-11"	6'-3"	9'-8"	8'-4"	7'-6"	6'-10"	6'-4"
100.0	6'-3"	5'-3"	7'-9"	6'-1"	9'-5"	8'-2"	7'-3"	6'-8"	6'-2"
105.0	6'-1"	5'-2"	7'-6"	6'-0"	9'-2"	7'-11"	7'-1"	6'-6"	6'-0"
110.0	6'-0"	5'-1"	7'-4"	5'-10"	9'-0"	7'-9"	6'-11"	6'-4"	5'-10"
115.0	5'-10"	4'-11"	7'-2"	5'-8"	8'-9"	7'-7"	6'-9"	6'-2"	5'-9"
120.0	5'-9"	4'-10"	7'-1"	5'-7"	8'-7"	7'-5"	6'-8"	6'-1"	5'-7"
125.0	5'-7"	4'-9"	6'-11"	5'-6"	8'-5"	7'-3"	6'-6"	5'-11"	5'-6"
130.0	5'-6"	4'-8"	6'-9"	5'-4"	8'-3"	7'-2"	6'-5"	5'-10"	5'-5"
135.0	5'-5"	4'-7"	6'-8"	5'-3"	8'-1"	7'-0"	6'-3"	5'-9"	5'-4"
140.0	5'-3"	4'-6"	6'-6"	5'-2"	7'-11"	6'-11"	6'-2"	5'-7"	5'-2"
145.0	5'-2"	4'-5"	6'-5"	5'-1"	7'-10"	6'-9"	6'-1"	5'-6"	5'-1"
150.0	5'-1"	4'-4"	6'-4"	5'-0"	7'-8"	6'-8"	5'-11"	5'-5"	5'-0"

PRODUCT REVISED
as complying with the Florida
Building Code
Acceptance No 20-0811.17
Expiration Date 06/07/2024
By Helya M. M...
Miami Dade Product Control



© 2020 TILTECO INC.		Florida Building Code (High Velocity Hurricane Zone)																	
 TILTECO INC. TILLIT TESTING & ENGINEERING COMPANY 6355 N.W. 36th St., Ste. 305, VIRGINIA GARDENS, FL 33166 Phone : (305)871-1530 . Fax : (305)871-1531 e-mail: tilteco@aol.com CA-0006719 WALTER A. TILLIT Jr. P.E. FLORIDA Lic. # 44167		50mm SLAT ROLL-UP SHUTTER ROLLINGSHIELD, INC. 9875 N.W. 79th AVE. HIALEAH GARDENS, FL 33016 Phone : (305)436-6661 Fax : (305)436-5523																	
		DRAWN BY: M.P. 7/14/2020 DATE 20-200 DRAWING No SHEET 15 OF 16	<table border="1"> <tr> <th>REV. No</th> <th>DESCRIPTION</th> <th>DATE</th> <th>REV. No</th> <th>DESCRIPTION</th> <th>DATE</th> </tr> <tr> <td>1</td> <td>OLD 17-232</td> <td>7/14/2020</td> <td></td> <td></td> <td></td> </tr> <tr> <td>2</td> <td></td> <td></td> <td></td> <td></td> <td></td> </tr> </table>	REV. No	DESCRIPTION	DATE	REV. No	DESCRIPTION	DATE	1	OLD 17-232	7/14/2020				2			
REV. No	DESCRIPTION	DATE	REV. No	DESCRIPTION	DATE														
1	OLD 17-232	7/14/2020																	
2																			

MULLION LOADING CHART

MAXIMUM A.S.D. DESIGN PRESSURE RATING (p. s. f.) AND CORRESPONDING MAXIMUM SPAN "L"(Ft) FOR A GIVEN TYPE OF MULLION AND MULLION SPACING (Ft.).

(USE MAXIMUM VALUES BETWEEN POSITIVE AND NEGATIVE A.S.D. LOADS)

MAX. A.S.D. DESIGN PRESSURE RATING (p.s.f.)	Ⓝ TYPE 1 MULLION 3" x 4" x 1/8"				Ⓞ TYPE 2 MULLION 4" x 4" x 1/4"				Ⓟ TYPE 3 MULLION 4" x 6" x .250"					
	MULLION SPACING				MULLION SPACING				MULLION SPACING					
	≤ 4'-0"	4' TO 5'	5' TO 6'	6' TO 8'	≤ 4'-0"	4' TO 5'	5' TO 6'	6' TO 8'	≤ 4'-0"	4' TO 5'	5' TO 6'	6' TO 8'	8' TO 10'	10' TO 12'
40.0	9'-0"	8'-4"	7'-10"	8'-2"	11'-9"	10'-11"	10'-3"	10'-9"	16'-4"	15'-2"	14'-3"	14'-10"	13'-10"	13'-0"
45.0	8'-8"	8'-0"	7'-7"	7'-10"	11'-4"	10'-6"	9'-11"	10'-4"	15'-8"	14'-7"	13'-8"	14'-4"	13'-3"	12'-6"
50.0	8'-4"	7'-9"	7'-3"	7'-7"	10'-11"	10'-2"	9'-7"	10'-0"	15'-2"	14'-1"	13'-3"	13'-10"	12'-10"	12'-1"
55.0	8'-1"	7'-6"	7'-1"	7'-4"	10'-7"	9'-10"	9'-3"	9'-8"	14'-8"	13'-7"	12'-10"	13'-4"	12'-5"	11'-8"
60.0	7'-10"	7'-3"	6'-10"	7'-2"	10'-3"	9'-7"	9'-0"	9'-5"	14'-3"	13'-3"	12'-5"	13'-0"	12'-1"	11'-4"
65.0	7'-8"	7'-1"	6'-8"	7'-0"	10'-0"	9'-4"	8'-9"	9'-2"	13'-11"	12'-11"	12'-2"	12'-8"	11'-9"	11'-1"
70.0	7'-5"	6'-11"	6'-6"	6'-10"	9'-9"	9'-1"	8'-6"	8'-11"	13'-7"	12'-7"	11'-10"	12'-4"	11'-5"	10'-9"
75.0	7'-3"	6'-9"	6'-4"	6'-8"	9'-7"	8'-10"	8'-4"	8'-8"	13'-3"	12'-3"	11'-7"	12'-1"	11'-2"	10'-6"
80.0	7'-2"	6'-7"	6'-3"	6'-6"	9'-4"	8'-8"	8'-2"	8'-6"	12'-11"	12'-0"	11'-4"	11'-10"	10'-11"	10'-4"
85.0	7'-0"	6'-6"	6'-1"	6'-4"	9'-2"	8'-6"	8'-0"	8'-4"	12'-8"	11'-9"	11'-1"	11'-7"	10'-9"	10'-1"
90.0	6'-10"	6'-4"	6'-0"	6'-3"	9'-0"	8'-4"	7'-10"	8'-2"	12'-5"	11'-7"	10'-11"	11'-4"	10'-6"	9'-11"
95.0	6'-9"	6'-3"	5'-10"	6'-2"	8'-10"	8'-2"	7'-9"	8'-1"	12'-3"	11'-4"	10'-8"	11'-2"	10'-4"	9'-9"
100.0	6'-7"	6'-2"	5'-9"	6'-0"	8'-8"	8'-1"	7'-7"	7'-11"	12'-0"	11'-2"	10'-6"	10'-11"	10'-2"	9'-7"
105.0	6'-6"	6'-1"	5'-7"	5'-11"	8'-6"	7'-11"	7'-6"	7'-9"	11'-10"	11'-0"	10'-4"	10'-9"	-	-
110.0	6'-5"	5'-11"	5'-5"	5'-10"	8'-5"	7'-10"	7'-4"	7'-8"	11'-8"	10'-10"	10'-2"	10'-7"	-	-
115.0	6'-4"	5'-10"	5'-4"	5'-8"	8'-3"	7'-8"	7'-3"	7'-7"	11'-6"	10'-8"	10'-0"	10'-5"	-	-
120.0	6'-3"	5'-9"	5'-3"	5'-7"	8'-2"	7'-7"	7'-2"	7'-5"	11'-4"	10'-6"	9'-11"	10'-4"	-	-
125.0	6'-2"	5'-7"	5'-1"	5'-5"	8'-1"	7'-6"	7'-0"	7'-4"	11'-2"	10'-4"	9'-9"	10'-2"	-	-
130.0	6'-1"	5'-6"	5'-0"	5'-4"	7'-11"	7'-5"	6'-11"	7'-3"	11'-0"	10'-3"	9'-8"	10'-0"	-	-
135.0	6'-0"	5'-5"	4'-11"	5'-3"	7'-10"	7'-3"	6'-10"	7'-2"	10'-11"	10'-1"	9'-6"	9'-11"	-	-
140.0	5'-11"	5'-3"	4'-10"	5'-2"	7'-9"	7'-2"	6'-9"	7'-1"	10'-9"	10'-0"	9'-5"	9'-10"	-	-
145.0	5'-10"	5'-2"	4'-9"	5'-1"	7'-8"	7'-1"	6'-8"	7'-0"	10'-7"	9'-10"	9'-3"	9'-8"	-	-
150.0	5'-9"	5'-1"	4'-8"	5'-0"	7'-7"	7'-0"	6'-7"	6'-11"	10'-6"	9'-9"	9'-2"	9'-7"	-	-

PRODUCT REVISED
as complying with the Florida
Building Code
Acceptance No 20-0811.17
Expiration Date 06/07/2024
By *Walter A. Tillit Jr.*
Miami Dade Product Control



NOTES : REFER TO ELEVATIONS ON SHEET 1A OF 16

1-. FOR MULLIONS INSTALLED W/O STORM BARS
A) MULLION SPACING SHALL BE SUCH THAT MAXIMUM SLAT SPAN SHALL NOT BE EXCEEDED

2-. FOR MULLIONS INSTALLED W/ STORM BARS & HEADERS
A) MULLION SPACING SHALL BE SUCH THAT MAXIMUM HEADER SPAN SHALL NOT BE EXCEEDED
B) STORM BAR SPACING SHALL BE SUCH THAT MAXIMUM SLAT SPAN SHALL NOT BE EXCEEDED

© 2020 TILTECO INC.		Florida Building Code (High Velocity Hurricane Zone)	
 TILLIT TESTING & ENGINEERING COMPANY 6355 N.W. 36th St., Ste. 305, VIRGINIA GARDENS, FL 33166 Phone : (305)871-1530 . Fax : (305)871-1531 e-mail: tilteco@aol.com CA-0006719 WALTER A. TILLIT Jr. P.E. FLORIDA Lic. # 44167		50mm SLAT ROLL-UP SHUTTER	DRAWN BY: M.P.
		ROLLINGSHIELD, INC.	7/14/2020 DATE
9875 N.W. 79th AVE. HIALEAH GARDENS, FL 33016 Phone : (305)436-6661 Fax : (305)436-5523		20-200	DRAWING No
REV. No	DESCRIPTION	DATE	REV. No
1	OLD 17-232	7/14/2020	
2			
			SHEET 16 OF 16