



DEPARTMENT OF REGULATORY AND ECONOMIC RESOURCES (RER)  
BOARD AND CODE ADMINISTRATION DIVISION

MIAMI-DADE COUNTY  
PRODUCT CONTROL SECTION  
11805 SW 26 Street, Room 208  
Miami, Florida 33175-2474  
T (786) 315-2590 F (786) 315-2599

[www.miamidade.gov/economy](http://www.miamidade.gov/economy)

**NOTICE OF ACCEPTANCE (NOA)**

**Rollingshield, Inc.**  
9875 NW 79<sup>th</sup> Avenue  
Hialeah Gardens, FL 33016

**SCOPE:**

This NOA is being issued under the applicable rules and regulations governing the use of construction materials. The documentation submitted has been reviewed and accepted by Miami-Dade County RER- Product Control Section to be used in Miami Dade County and other areas where allowed by the Authority Having Jurisdiction (AHJ).

This NOA shall not be valid after the expiration date stated below. The Miami-Dade County Product Control Section (In Miami Dade County) and/or the AHJ (in areas other than Miami Dade County) reserve the right to have this product or material tested for quality assurance purposes. If this product or material fails to perform in the accepted manner, the manufacturer will incur the expense of such testing and the AHJ may immediately revoke, modify, or suspend the use of such product or material within their jurisdiction. RER reserves the right to revoke this acceptance if it is determined by Miami-Dade County Product Control Section that this product or material fails to meet the requirements of the applicable building code.

This product is approved as described herein and has been designed to comply with the High Velocity Hurricane Zone of the Florida Building Code.

**DESCRIPTION:** RS - Retractable Awning

**APPROVAL DOCUMENT:** Drawing #26-19 (RSRA), titled "RS - Retractable Awning", pages 1 through 4 of 4, dated 03/28/21, prepared by V. M. Engineering, Inc., signed and sealed by Morgan Villanueva, P.E., on 04/05/2021, bearing the Miami-Dade County Product Control Approval stamp with the Notice of Acceptance number and the approval date by the Miami-Dade County Product Control Section.

**MISSILE IMPACT RATING:** None

**LABELING:** Each awning shall bear a permanent label with the manufacturer's name or logo, city, state and the following statement: "Miami-Dade County Product Control Approved", unless otherwise noted herein.

**RENEWAL** of this NOA shall be considered after a renewal application has been filed and there has been no change in the applicable building code negatively affecting the performance of this product.

**TERMINATION** of this NOA will occur after the expiration date or if there has been a revision or change in the materials, use, and/or manufacture of the product or process. Misuse of this NOA as an endorsement of any product, for sales, advertising or any other purposes shall automatically terminate this NOA. Failure to comply with any section of this NOA shall be cause for termination and removal of NOA.

**ADVERTISEMENT:** The NOA number preceded by the words Miami-Dade County, Florida, and followed by the expiration date may be displayed in advertising literature. If any portion of the NOA is displayed, then it shall be done in its entirety.

**INSPECTION:** A copy of this entire NOA shall be provided to the user by the manufacturer or its distributors and shall be available for inspection at the job site at the request of the Building Official.

This NOA consists of this page 1, evidence submitted page E-1 as well as approval document mentioned above.

The submitted documentation was reviewed by **Helmy A. Makar, P.E., M.S.**



*Helmy A. Makar*  
06/10/2021

NOA No. 21-0408.03  
Expiration Date: 06/10/2026  
Approval Date: 06/10/2021

**Rollingshield, Inc.**

**NOTICE OF ACCEPTANCE: EVIDENCE SUBMITTED**

**A. DRAWINGS**

1. *Drawing #26-19 (RSRA), titled "RS - Retractable Awning", pages 1 through 4 of 4, dated 03/28/21, prepared by V. M. Engineering, Inc., signed and sealed by Morgan Villanueva, P.E., on 04/05/2021.*

**B. TESTS**

1. *Test Report # 19-8701, per TAS 202-94 Wind Test, prepared by Fenestration Testing Laboratory, Inc., dated 01/03/20, signed and sealed by Idalmis Ortega, P.E.*

**C. CALCULATIONS**

1. *Calculations titled "Anchor Calculations for close position of RS-Retractable Awning, prepared by V. M. Engineering, Inc., signed and sealed by Morgan Villanueva, P.E., on 04/05/2021.*

**D. QUALITY ASSURANCE**

1. *By Miami-Dade County Department of Regulatory and Economic Resources.*

**E. MATERIAL CERTIFICATIONS**

1. *None.*

**F. STATEMENTS**

1. *FBC, 2020 Edition compliance letter, dated 04/05/21 issued by V. M. Engineering, Inc., signed and sealed by Morgan Villanueva, P.E., on 04/05/2021.*

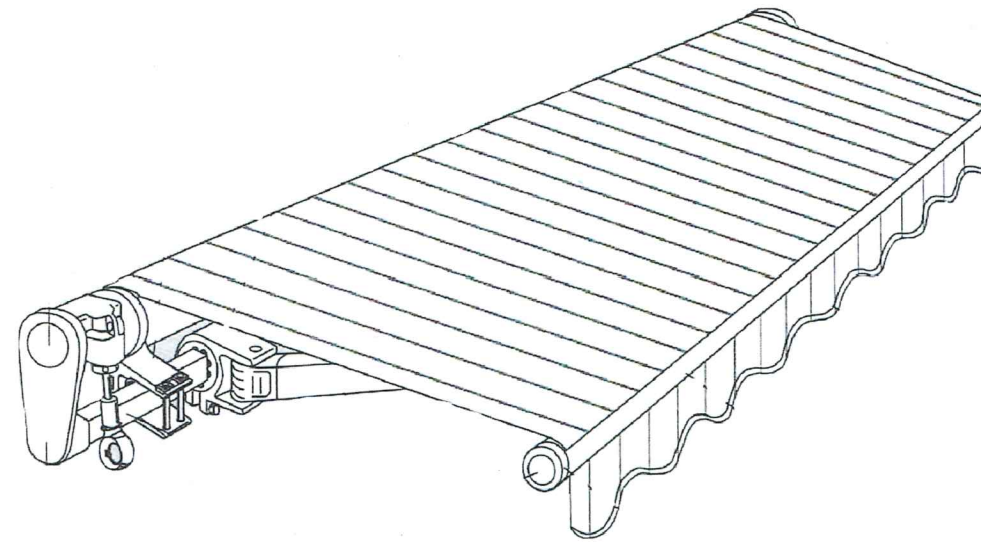


---

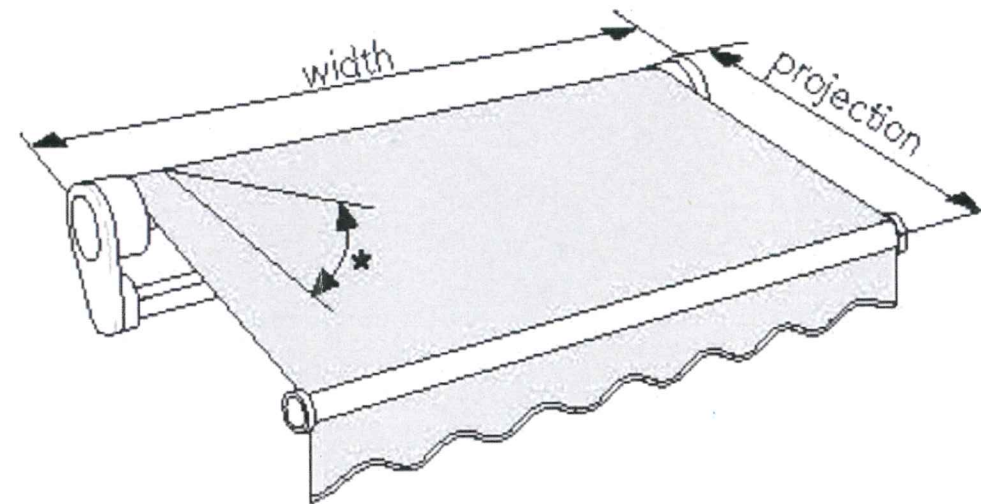
Helmy A. Makar, P.E., M.S.  
Product Control Section Supervisor  
NOA No. 21-0408.03  
Expiration Date: 06/10/2026  
Approval Date: 06/10/2021

**GENERAL NOTES:**

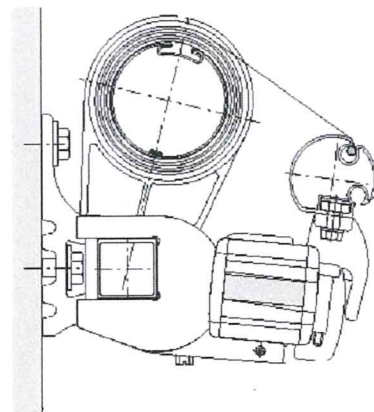
1. THIS RETRACTABLE AWNING SYSTEM HAS BEEN VERIFIED IN ACCORDANCE WITH THE FLORIDA BUILDING CODE EDITION 2020 EDITION 7TH AND PROTOCOL TEST FOR H.V.H.Z, TAS 202. THIS RETRACTABLE AWNING IS NOT PART OF THE BUILDING ENVELOPE, IMPACT RESISTANCE IS NOT REQUIRED.
2. THIS RETRACTABLE AWNING SYSTEM MUST BE FULLY RETRACTED FOR ANY WIND SPEED ABOVE 45 MPH
3. THIS RETRACTABLE AWNING SYSTEM DRAWINGS ARE GENERAL AND CANNOT BE MODIFY, FOR SITE SPECIFIC IS REQUIRED SHOP DRAWINGS AND CALCULATIONS BY FLORIDA LICENSE ENGINEER
4. THIS PRODUCT APPROVAL DOCUMENTS WILL BE VALID ONLY WHEN IT MEETS THE FOLLOWING TERMS:  
 -PLANS SHALL BE SIGNED & SEALED BY THE ENGINEER OF RECORD.  
 -NO MODIFICATIONS AND/OR ALTERATIONS MAY BE MADE BY ANY MEANS.
5. ANCHORS NOTES:  
 5.1 ALL ANCHORS IN PERMANENT CONTACT WITH PRESSURE TREATED WOOD SHALL BE CAPABLE OF RESISTING CORROSION CAUSED BY THE CHEMICALS IN THE WOOD  
 5.2 WOOD, CONCRETE AND STEEL ANCHORS SHALL BE AS PER FASTENER SCHEDULE SHOWN ON SHEET 2 OF 4, ANY SITE DISCREPANCIES MUST BE NOTIFY AT ENGINEER OF RECORD
6. ALL BRACKET ARE 6063-T6 ALUMINUM ALLOY AND TEMPER
7. CONTRACTOR SHALL BE RESPONSIBLE FOR:  
 -VERIFY THE EXISTING CONDITIONS OF THE STRUCTURE WHERE THIS RETRACTABLE AWING SYSTEM WILL BE INSTALLED TO PREVENT ANY DAMAGE TO EXISTING STRUCTURE.  
 -SEAL ALL COMPONENTS AROUND EDGES IN CONTACT WITH THE STRUCTURE TO PREVENT ANY DAMAGE DUE TO WIND AND RAIN  
 -SELECT THE PROPER TYPE OF INSTALLATION TO PROVIDE APPROPRIATE WORK INCLUDING LIFE SAFETY OF THIS PRODUCT.  
 -IF IN ANY CASE CONTRACTOR NEEDS TO MADE ANY MODIFICATION CONTRACTOR SHOULD COMMUNICATE IMMEDIATELY TO ENGINEER OF RECORD BEFORE ANY ACTION.
8. THIS PRODUCT APPROVAL DOCUMENTS WAS NOT PREPARED FOR A SPECIFIC SITE.
9. THIS SYSTEM SHALL COMPLY WITH THE SPECIFICATIONS INDICATED IN THIS APPROVAL DOCUMENT PLUS ANY BUILDING AND ZONING REGULATIONS PROVIDED BY THE GOVERNMENT AGENCY WITH JURISDICTION IN THE LOCATION WHERE THIS AWNING WILL BE INSTALL.



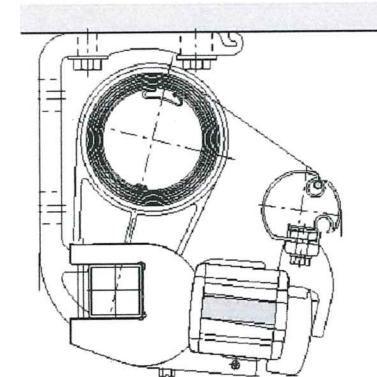
**RS RETRACTABLE AWNING ELEVATION**



**RS RETRACTABLE AWNING DIMS**



**WALL BRACKET CONNECTION**



**CEILING BRACKET CONNECTION**

Approved as complying with the Florida Building Code  
 Date 06/16/2021  
 NOA# 21-0408-03  
 Miami Dade Product Control  
 By Hely A. Mohr

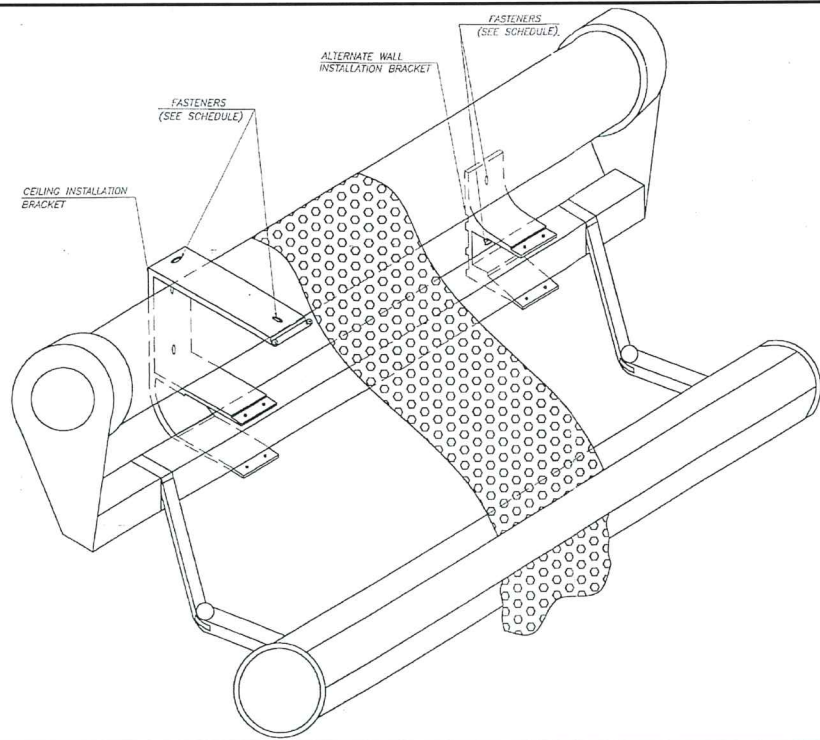
<b>RS RETRACTABLE AWNING</b>		<b>ROLLINGSFIELD INC.</b>	
		PHONE (305) 436-6661 FAX (305) 436-5523	9875 NW 79th AVE Hialeah Gardens, FL 33016 www.rollingsfield.com
REV. No	DESCRIPTION	DATE	
1			
2			
3			
4			

**V.M. Engineering Inc.**  
 Registry No. 27633  
 11278 S.W. 153rd Place  
 MIAMI, FLORIDA 33196  
 TEL: 786-281-6968



MIAMI - DADE COUNTY

SCALE:	
DATE:	03-28-2021
<b>F.B.C.</b> (High Velocity Hurricane Zone)	
DWG No:	26-19 (RSRA)
SHEET	1 OF 4



**MAXIMUM DESIGN PRESSURE**  
 OPEN: 5.8 psf ALLOWABLE (45 MPH WIND-SPEED), ASSUMING ZONE 3  
 CLOSE: 70 psf ALLOWABLE (175 MPH WIND-SPEED), ASSUMING ZONE 3

MAXIMUM AWING HEIGHT = 25.0 FT ABOVE GRADE  
 EXPOSURE D AND RISK CATEGORY II

AWING MUST BE RETRACTED TO CLOSE POSITION FOR ANY WINDSPEED EXCEEDING 45 MPH

**AWNING FRAME SUPPORT REQUIREMENTS**

AWNING WIDTH	RETRACTABLE SUPPORT ARMS REQUIRED	WALL CONNECTION BRACKETS REQUIRED
UP TO 18 FT	2	5
18 FT TO 24 FT	3	6

1.39" MAXIMUM RETRACTABLE AWING PROJECTION

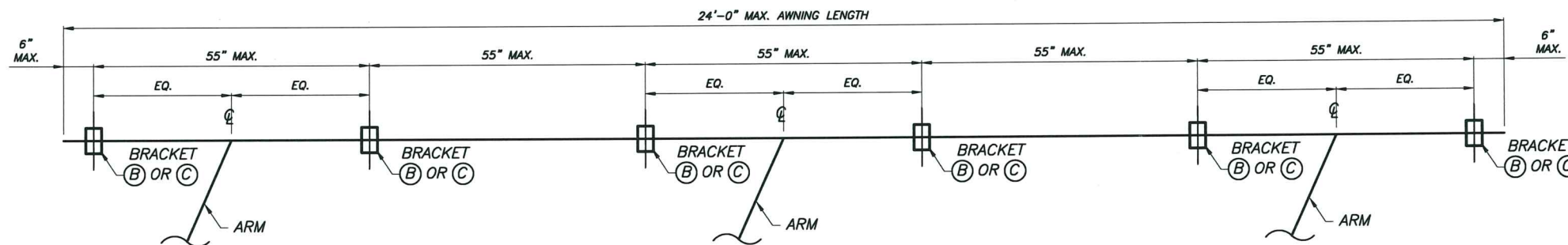
FIRST AND LAST BRACKET AT 6" FROM ENDS AND 6" FROM EACH SIDE OF EACH ARM

**FASTENERS SCHEDULE \***

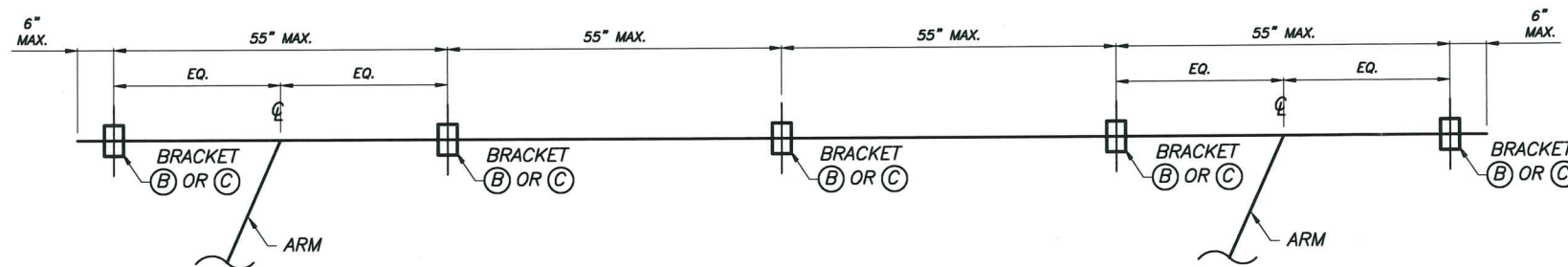
SUBSTRATE TYPE	FASTENER TYPE
POURED CONCRETE W/ f'c=3,000 psi Min.	3/8"Ø TITEN HD ANCHORS FROM SIMPSON STRONG W/ 3" MIN. EMBEDMENT OR APPROVED EQUAL
CONCRETE BLOCK WHIT GROUT FILL CELLS W/ f'c=1,500 psi Min.	3/8"Ø TITEN HD ANCHORS FROM SIMPSON STRONG W/ 3 1/2" MIN. EMBEDMENT OR APPROVED EQUAL
WOOD (MIN. 2"X8" DOUBLE FRAMING), SOUTHER PINE No.2 G=0.55 MIN., EQUAL OR GREATER	3/8"Ø LAG SCREWS W/ 1 3/4" MIN. EMBEDMENT INTO WOOD MEMBER OR APPROVED EQUAL
GRADE A36 STEEL (MIN. 1/4" THICK)	3/8"Ø - A325 BOLTS WHIT NUT AND LOCK WASHERS OR APPROVED EQUAL

\* MIN. 2 FASTENERS AT CEILING & WALL MOUNTING INSTALLATIONS

MINIMUM EDGE DISTANCE FOR CONCRETE/BLOCK FASTENERS IS 4" & 2" FOR WOOD & STEEL FASTENERS



**BRACKETS AND ARMS LAYOUT FOR AWNINGS BETWEEN 18' TO 24' LENGTH**



**BRACKET AND ARM LAYOUT FOR AWNINGS UP TO 18' LENGTH**

Approved as complying with the Florida Building Code  
 Date 06/10/2021  
 NOA# 21-0408.03  
 Miami Dade Product Control

By *Helga A. Mah*

**RS RETRACTABLE AWNING**

**ROLLINGSFIELD INC.**  
 PHONE (305) 436-6661 FAX (305) 436-5523  
 9875 NW 79th AVE  
 Hialeah Gardens, FL 33016  
 www.rollingsfield.com

REV. No	DESCRIPTION	DATE
1		
2		
3		
4		

**V.M. Engineering Inc.**  
 Registry No. 27633  
 11278 S.W. 153rd Place  
 MIAMI, FLORIDA 33196  
 TEL: 786-281-6968

**MORGAN VILLANUEVA**  
 LICENSE NO. 66292  
 STATE OF FLORIDA  
 PROFESSIONAL ENGINEER  
 PE, SE, SEC. 1  
 MORGAN VILLANUEVA  
 STRUCTURAL ENGINEER  
 FLORIDA INC. NO. 60282

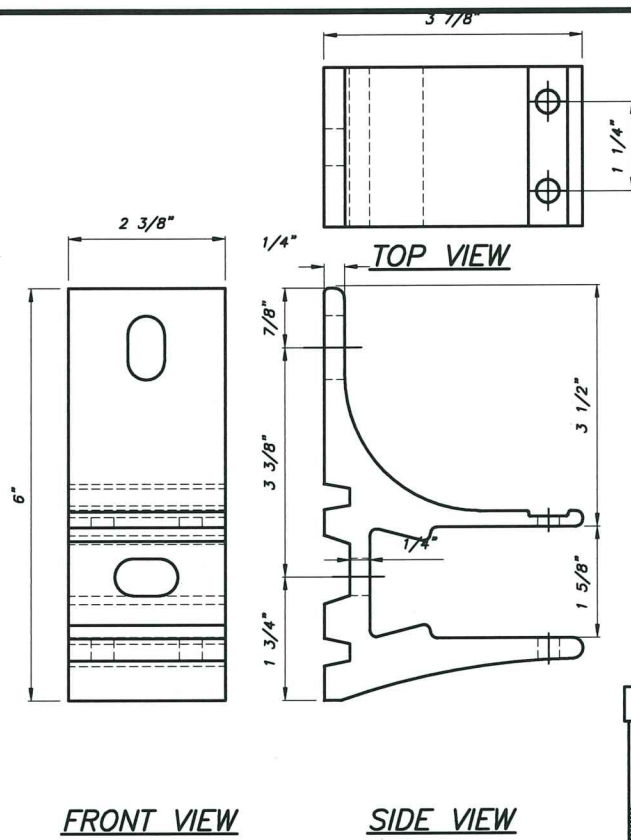
MIAMI-DADE COUNTY

SCALE:  
 DATE: 03-28-2021

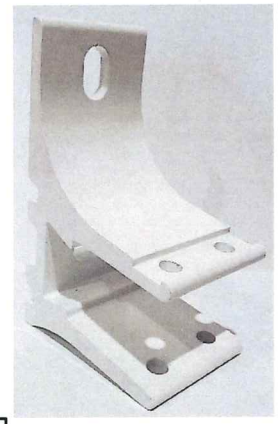
**F.B.C.**  
 (High Velocity Hurricane Zone)

DWG No: **26-19 (RSRA)**

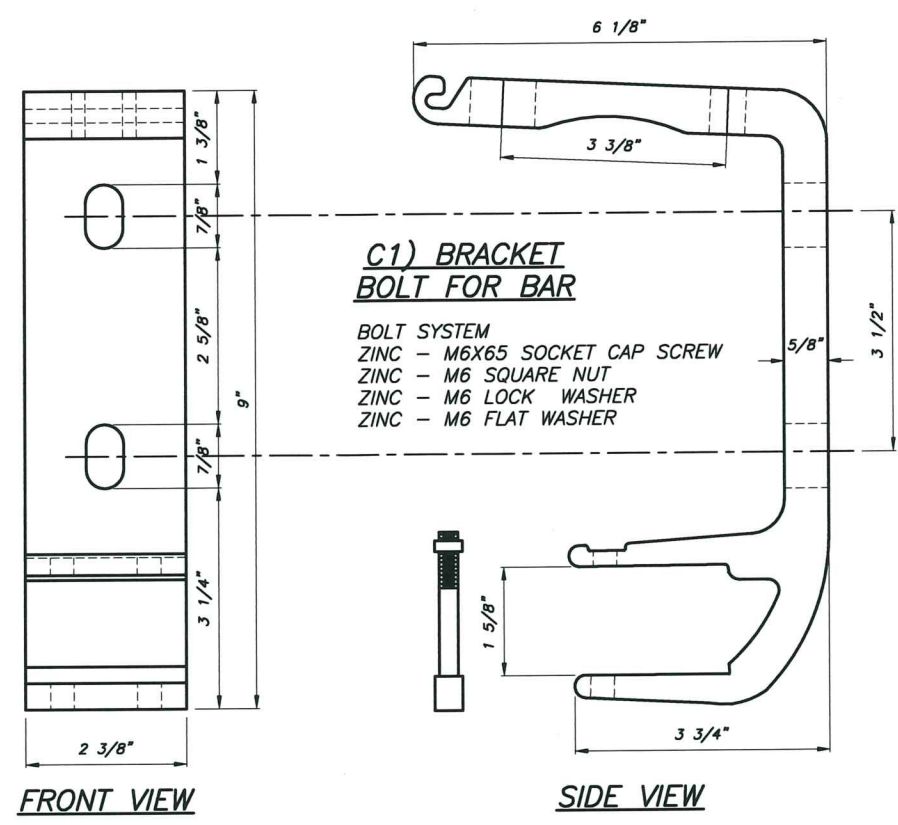
SHEET **2 OF 4**



**B) WALL BRACKET**

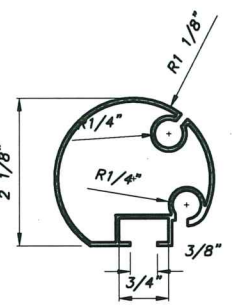


**BOLT SYSTEM**  
 ZINC - M6X65 SOCKET CAP SCREW  
 ZINC - M6 SQUARE NUT  
 ZINC - M6 LOCK WASHER  
 ZINC - M6 FLAT WASHER

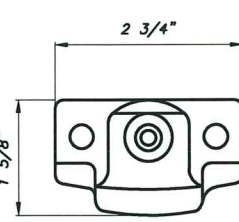


**C1) BRACKET BOLT FOR BAR**

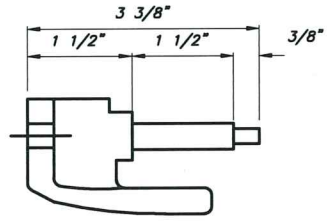
**BOLT SYSTEM**  
 ZINC - M6X65 SOCKET CAP SCREW  
 ZINC - M6 SQUARE NUT  
 ZINC - M6 LOCK WASHER  
 ZINC - M6 FLAT WASHER



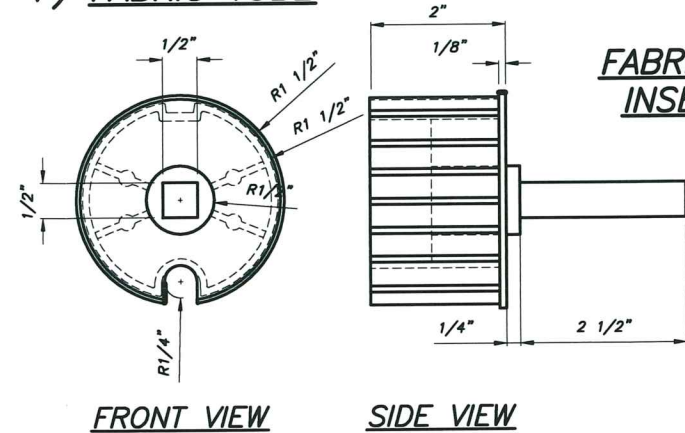
**D) DROP BAR**



**E) FRONT ARM BOLT INSERT**



**F) FABRIC TUBE**

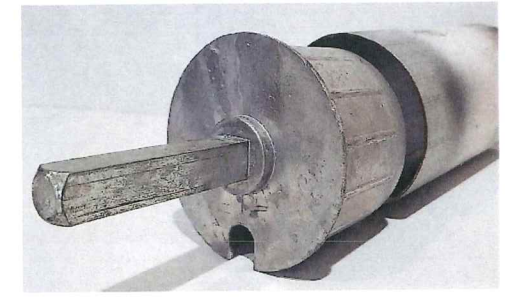


**G) FABRIC TUBE INSERT WHIT SQUARE BOLT**

**BOLT SYSTEM**  
 ZINC - M6X20 HEX CAP SCREW  
 ZINC - M6 FLAT WASHER  
 ZINC - M6X20 SQUARE NUT



**DROP BAR, FRONT ARM BOLT INSERT AND ADAPTER FRONT BAR ASSEMBLY**



**FABRIC TUBE & FABRIC TUBE INSERT WHIT SQUARE BOLT ASSEMBLY**

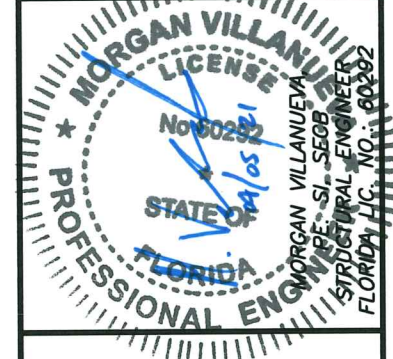
Approved as complying with the Florida Building Code  
 Date 06/10/2021  
 NOA# 21-0408.03  
 Miami Dade Product Control  
 By *H. A. Mc...*

**RS RETRACTABLE AWNING**

**ROLLINGSFIELD INC.**  
 PHONE (305) 436-6661 FAX (305) 436-5523  
 9875 NW 79th AVE  
 Hialeah Gardens, FL 33016  
 www.rollingsfield.com

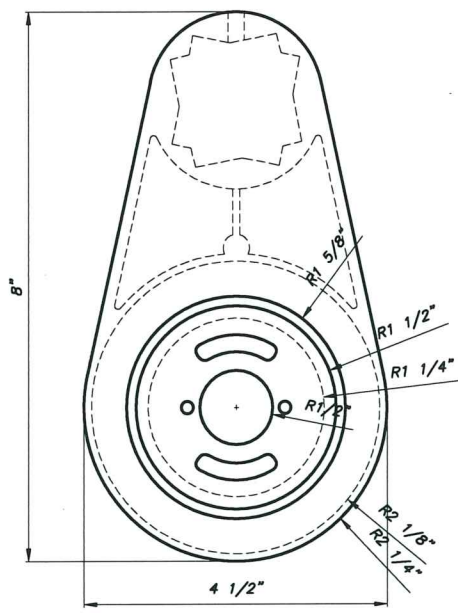
REV. No	DESCRIPTION	DATE
1		
2		
3		
4		

**V.M. Engineering Inc.**  
 Registry No. 27633  
 11278 S.W. 153rd Place  
 MIAMI, FLORIDA 33196  
 TEL: 786-281-6968

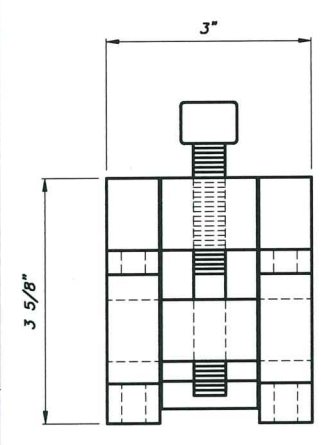


MIAMI-DADE COUNTY

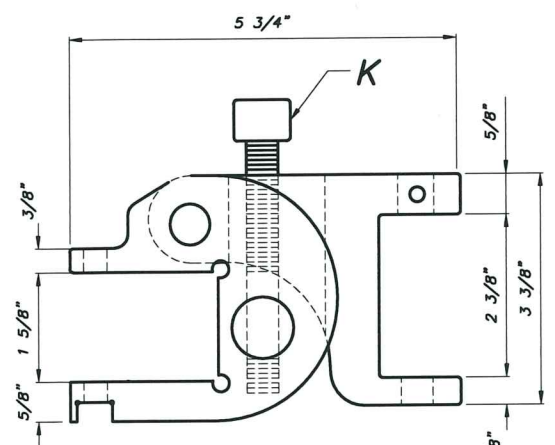
SCALE: \_\_\_\_\_  
 DATE: 03-28-2021  
**F.B.C.**  
 (High Velocity Hurricane Zone)  
 DWG No: 26-19 (RSRA)  
 SHEET 3 OF 4



L) SIDE BARRING

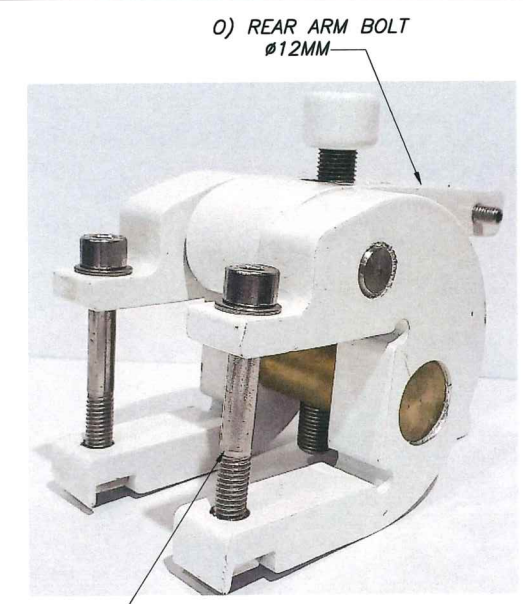


FRONT VIEW



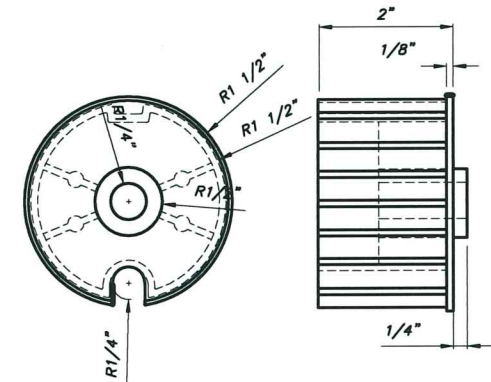
SIDE VIEW

J) ARM BRACKET  
PITCH ADJUSTMENT



O) REAR ARM BOLT  
Ø12MM

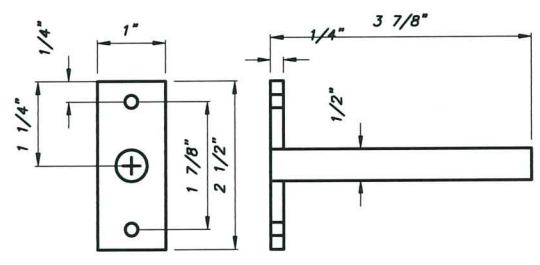
BOLT SYSTEM  
ZINC - M6X65 SOCKET CAP SCREW  
ZINC - M6 SQUARE NUT  
ZINC - M6 LOCK WASHER  
ZINC - M6 FLAT WASHER



FRONT VIEW

SIDE VIEW

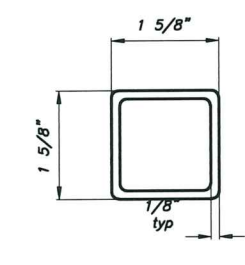
Q) FABRIC TUBE INSERT  
WHIT BUSHING



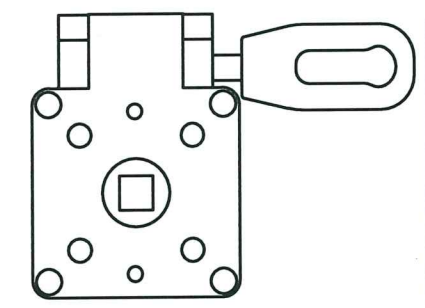
FRONT VIEW

SIDE VIEW

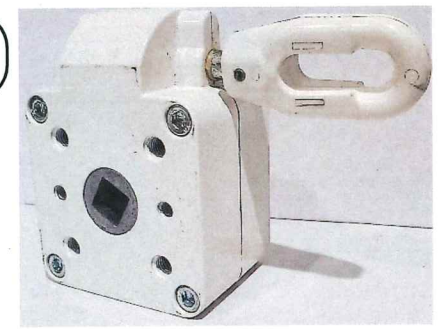
P) OUTER BEARING Ø12MM



M) SQUARE BAR  
CARRIER



H) GEAR



PART LIST

PART	DESCRIPTION
A) AWNING	WOVEN FABRIC, MADE OF 100% ACRYLIC FIBER, 9.25 OZ PER SQUARE YARD SUNBRELLA ® SHADE FABRICS WALL BRACKET
B) WALL BRACKET	ALUMINUM 6063-T6 ALLOY AND TEMPER - EXTRUDED
C) CEILING BRACKET/ WALL BRACKET ALTERNATIVE	ALUMINUM 6063-T6 ALLOY AND TEMPER - EXTRUDED
D) DROP BAR	6063-T6 ALLOY AND TEMPER - EXTRUDED
E) FRONT ARM BOLT INSERT	6063-T6 ALLOY AND TEMPER - EXTRUDED WHIT BOLT INSERT
F) FABRIC TUBE	78mm Ø 20 GA. GALVANIZED STEEL TUBE, GRADE 30-ASTM A-653 G90
G) FABRIC TUBE INSERT	78mm Ø 20 GA. GALVANIZED STEEL TUBE, GRADE 30-ASTM A-653 G90 W/SQUARE BOLT
H) GEAR	ALUMINUM - W/OUT LIMITS 7:1 TURNS
J) ARM BRACKET - PITCH ADJUSTMENT	6063-T6 ALLOY AND TEMPER - EXTRUDED W/ 3/8" UNIVERSAL SCREW AND PINS
K) ADJUSTER BOLT	1/2"X4" DOUBLE THREADED BOLT
L) SIDE BEARING	6063-T6 ALLOY AND TEMPER - EXTRUDED
M) SQUARE BAR	40mm X 1/8" ALUMINUM 6063-T6 ALLOY & TEMPER - EXTRUDED
N) ARM	6063-T6 ALLOY AND TEMPER - EXTRUDED WHIT INTERNAL SPRINGS AND TENDONS IN BRONZE BUSHINGS, 154 MAX PROJECTION
O) REAR ARM BOLT	Ø12mm, LENGTH= 85mm ALUMINUM PIN
P) OUTER BEARING	Ø12mm, ZINC PLATED - ATTACHED TO SIDE BEARING WHIT M6X25 HEX CAP SCREW
Q) FABRIC INSERT TUBE	Ø78mm, 20 GA GALVANIZED STEEL TUBE, GRADE 30-ASTM A-635 G90
R) MOTOR	ROLLINGSIELD 550RTS/610RTS 120/240v 50NM 2.4 Amps



R) ALTERNATE  
ROLLINGSIELD MOTOR

BOLT SYSTEM  
ZINC - 2-M6X20  
HEX HEAD SCREW

FABRIC TUBE INSERT, OUTER  
BEARING & SIDE BEARING  
ASSEMBLY

**RS RETRACTABLE  
AWNING**

ROLLINGSIELD INC.  
PHONE (305) 436-6661 FAX (305) 436-5923  
9875 NW 79th AVE  
Hialeah Gardens, FL 33016  
www.rollingsield.com

REV. No	DESCRIPTION	DATE
1		
2		
3		
4		

**V.M.**  
Engineering Inc.  
Registry No. 27633  
11278 S.W. 153rd Place  
MIAMI, FLORIDA 33196  
TEL: 786-281-6968

MORGAN VILLANUEVA  
LICENSE  
No. 00282  
STATE OF FLORIDA  
PROFESSIONAL ENGINEER  
STRUCTURAL ENGINEER  
FLORIDA LIC. NO. 00282

Approved as complying with the  
Florida Building Code  
Date 06/10/2021  
NOA# 21-0208.03  
Miami Dade Product Control  
By *[Signature]*

MIAMI-DADE COUNTY

SCALE:  
DATE: 03-28-2021

**F.B.C.**  
(High Velocity Hurricane Zone)

DWG No: 26-19 (RSRA)

SHEET 4 OF 4