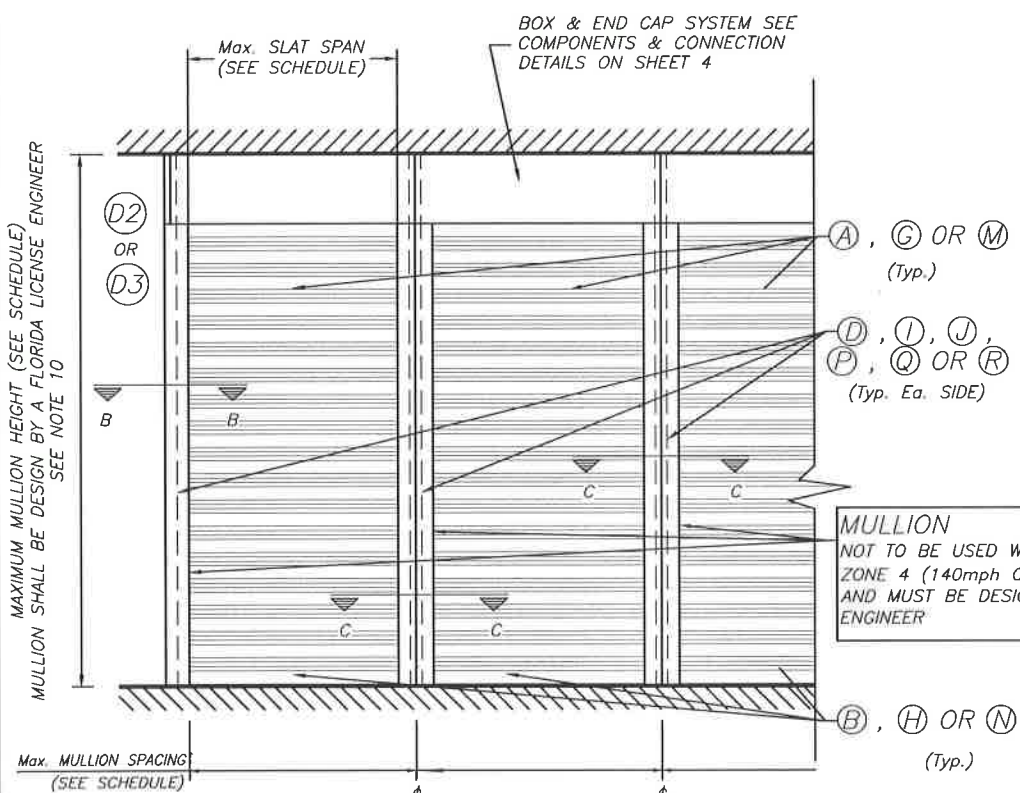


**TYPICAL SINGLE UNIT ELEVATION**

NOTE: SEE SHEETS 2, 3 & 4 FOR COMPONENTS NOMENCLATURE.



**TYPICAL MULTIPLE UNIT ELEVATION**

NOTE: SEE SHEETS 2, 3 & 4 FOR COMPONENTS NOMENCLATURE.

**NOTES:**

(1) SEE SECTIONS ON SHEETS 6 & 8

**NOT FOR USE WITHIN HIGH VELOCITY HURRICANE ZONE**

**GENERAL NOTES:**

1. END RETAINERS (ROLL-UP SHUTTER) SHOWN ON THIS FLORIDA APPROVAL DOCUMENTS (F.A.D.) HAS BEEN VERIFIED TO COMPLY WITH THE FLORIDA BUILDING CODE 2020. DESIGN WIND LOADS WERE DETERMINED AS PER ASCE 7-16 AND THE ABOVE MENTIONED CODE, IN ORDER TO VERIFY THAT THE ALL COMPONENTS ON THIS FLORIDA APPROVAL DOCUMENTS WERE NOT OVER STRESSED TESTED, A 33% INCREASE IN ALLOWABLE STRESS FOR WIND LOADS WAS NOT USED IN THEIR CALCULATIONS. THE ADEQUACY OF THESE END RETAINERS FOR IMPACT AND FATIGUE MEETS THE REQUIREMENTS OF THE FLORIDA BUILDING CODE ABOVE MENTIONED AND ALSO WITH TEST PROTOCOLS FOR NON HIGH VELOCITY HURRICANE ZONES 2020, TAS-201, TAS-202 AND TAS-203, AS SHOWN ON THE TEST RESULTS PERFORMED BY A HURRICANE TESTING LABORATORY, LABS NUMBER 5539 (40mm), LAB NUMBER 5565 (55mm) AND LAB NUMBER 5248 (60mm).

2. ALL ALUMINUM EXTRUSIONS SHALL BE MADE OF ALLOYS AND TEMPERS, AS INDICATED ON SHEET 2 & 3 OF THIS DRAWING. THE THICKNESS OF ALL EXTRUSIONS SHALL BE AS SHOWN ON THIS DRAWING WITH STANDARD TOLERANCES IN ACCORDANCE WITH THE "ALUMINUM DESIGN MANUAL 2015 EDITION".

3. ALL SCREWS TO BE STAINLESS STEEL 304 OR 316 AISI SERIES OR CORROSION RESISTANT COATED CARBON STEEL AS PER DIN 50018 WITH 50 ksi YIELD POINT AND 90 ksi TENSILE STRENGTH.

4. BOLTS TO BE ALUMINUM ASSOCIATION 2024-T4 ALLOY AND TEMPER, ASTM A-307 GALVANIZED STEEL OR AISI 304 SERIES STAINLESS STEEL, WITH 36 ksi MINIMUM YIELD POINT.

5. ANCHORS TO WALL FOR SIDE RAILS CONNECTION AND CONNECTION BOX SHALL BE AS FOLLOWS:

- TO EXISTING POURED CONCRETE (3140 psi Min.):
- 1/4" Ø TAPCON ANCHORS, AS MANUFACTURED BY ITW BUILDEX.
- 3/16" Ø TAPCON XL, AS MANUFACTURED BY ITW BUILDEX.

TO EXISTING CONCRETE BLOCK (FILL CELLS WITH GROUT).

- 1/4" Ø TAPCON ANCHORS, AS PER MANUFACTURED BY ITW BUILDEX.
- 3/16" Ø TAPCON XL, AS PER MANUFACTURED BY ITW BUILDEX.

**NOTES:**

5.1) MINIMUM EMBEDMENT OF ANCHORS INTO POURED CONCRETE IS 1 3/4". EMBEDMENT IS IN CONCRETE ONLY, NOT OTHER DIFFERENT MATERIAL.

5.2) IF ANY DECORATIVE MATERIAL IS ON THE WALL, ANCHORS SHALL BE LONG ENOUGH TO REACH THE REQUIRED EMBEDMENT INTO THE CONCRETE (1 3/4").

(5.3) ANCHORS SHALL BE INSTALLED FOLLOWING ALL OF THE RECOMMENDATIONS AND SPECIFICATIONS OF THE ANCHOR'S MANUFACTURER.

(5.4) ANCHORS REQUIRED FOR MULLION CONNECTIONS SHALL BE AS SPECIFIED ON APPLICABLE SECTIONS SHOWN ON SHEET 7. POWER BOLT ANCHORS TO BE AS MANUFACTURER BY POWERS FASTENING, INC.

6. IT SHALL BE THE RESPONSIBILITY OF THE CONTRACTOR TO VERIFY THE SOUNDNESS OF THE STRUCTURE WHERE END RETAINER IS TO BE ATTACHED TO INSURE PROPER ANCHORAGE. THE END RETAINER SHALL ONLY BE ATTACHED TO POURED CONCRETE OR GROUT FILLED CONCRETE BLOCK.

7. INSTALLER SHALL SEAL/CAULK ALL SHUTTER COMPONENT EDGES WHICH REMAIN IN CONTINUOUS CONTACT WITH THE BUILDING TO PREVENT WIND/RAIN INTRUSION.

8. END RETAINER MECHANISM NOT PART OF THIS APPROVAL, BUT SHALL BE CERTIFIED BY AN INDEPENDENT TESTING AGENCY.

9. END RETAINER INSTALLATION SHALL COMPLY WITH SPECS INDICATED IN THIS DRAWING PLUS ANY BUILDING AND ZONING REGULATIONS PROVIDED BY THE JURISDICTION WHERE PERMIT IS APPLIED TO.

10. THIS FLORIDA APPROVAL DOCUMENTS PREPARED BY THE ENGINEER OF RECORD IS GENERIC AND DOES NOT PROVIDE INFORMATION FOR A SITE SPECIFIC PROJECT; i.e. WHERE THE SITE CONDITIONS DEVIATE FROM THE FLORIDA APPROVAL DOCUMENTS.

CONTRACTOR TO BE RESPONSIBLE FOR THE SELECTION, PURCHASE AND INSTALLATION INCLUDING LIFE SAFETY OF THIS PRODUCT, BASED ON THIS FLORIDA APPROVAL DOCUMENTS PROVIDED HE/SHE DOES NOT DEVIATE FROM THE CONDITIONS DETAILED ON THIS DOCUMENT. CONSTRUCTION SAFETY AT SITE IS THE CONTRACTOR'S RESPONSIBILITY.

THIS FLORIDA APPROVAL DOCUMENTS WILL BE CONSIDERED INVALID IF ALTERED BY ANY MEANS.

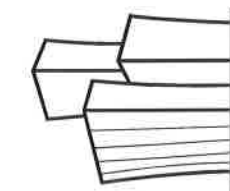
SITE SPECIFIC PROJECTS SHALL BE PREPARED BY A FLORIDA REGISTERED ENGINEER OR ARCHITECT WHICH WILL BECOME THE ENGINEER OF RECORD (E.O.R.) FOR THE PROJECT AND WHO WILL BE RESPONSIBLE FOR THE PROPER USE OF THE FLORIDA APPROVAL DOCUMENTS ENGINEER OF RECORD, ACTING AS A DELEGATED ENGINEER TO THE FLORIDA APPROVAL DOCUMENTS ENGINEER, SHALL SUBMIT TO THIS LATTER THE SITE SPECIFIC DRAWINGS FOR REVIEW.

THIS FLORIDA APPROVAL DOCUMENTS SHALL BEAR THE DATE AND ORIGINAL SEAL AND SIGNATURE OF THE PROFESSIONAL ENGINEER OF RECORD THAT PREPARED IT.

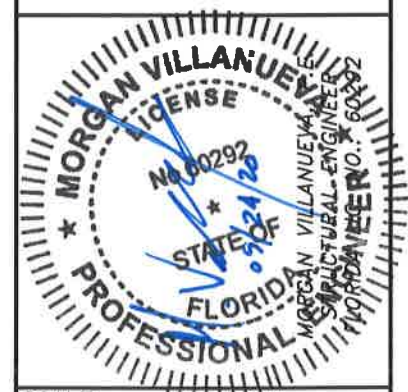
11. THESE FLORIDA APPROVAL DOCUMENTS IN COMPLY WITH CHAPTER 61G15-36 OF THE FLORIDA ADMINISTRATION CODE.

12. AN ORIGINAL SIGNED AND SEALED COMPANY LETTER FROM ROLLINGSHIELD INC. IS REQUIRED, PROVING THAT THE 40mm, 55mm & 60mm END RETAINER ROLL-DOWN SHUTTER WAS PURCHASED FROM THEM IN ORDER FOR THIS NOA TO BE VALID ON ANY JOB.

40mm, 55mm & 60mm END RETAINER ROLL-DOWN SHUTTER		ROLLINGSHIELD (MEMBER OF N.S.A.)	
		PHONE (305) 436-6661 FAX (305) 436-5523 Hialeah Gardens, Florida 33016 www.rollingshield.com	
REV. No	DESCRIPTION	DATE	
1	RENEWAL AS PER FBC EDITION 2017	09-19-2017	
2	RENEWAL AS PER FBC EDITION 2020	09-16-2020	
3			
4			

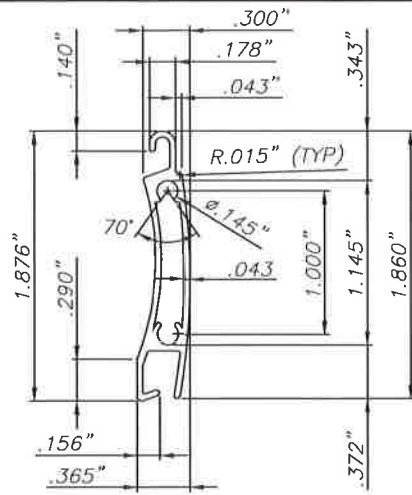


**V.M. Engineering Inc.**  
C. of A. No. 27633  
11278 S.W. 153rd Place  
MIAMI, FLORIDA 33196  
TEL: 786-281-6968  
TEL: 305-383-5896

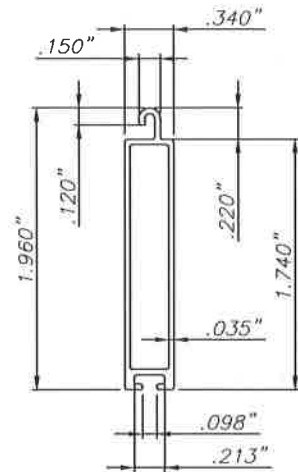


SCALE:	AS SHOWN
DATE:	09-16-2020
<b>F.B.C.</b>	
(Non High Velocity Hurricane Zone)	
DWG No:	169-2020
SHEET	1 OF 8

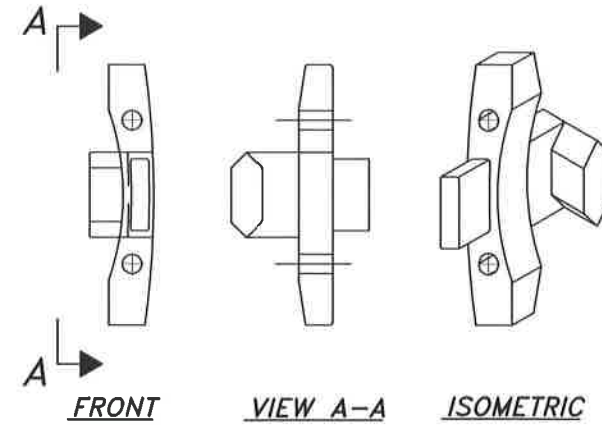




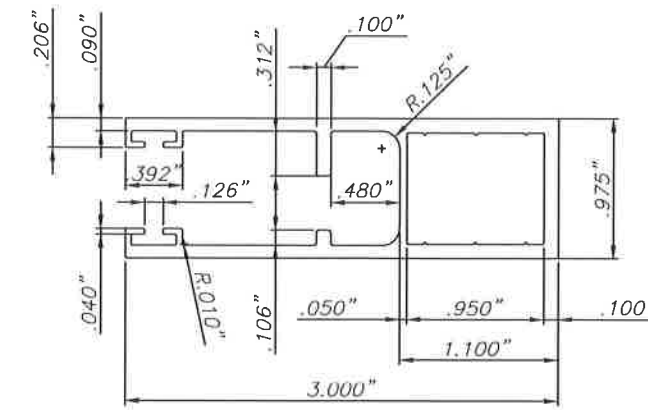
**(A) TYPE 1 SLAT:**  
EXTRUDED ALUMINUM  
40mm SLAT



**(B) TYPE 2 SLAT:**  
EXTRUDED ALUMINUM  
BOTTOM 40mm SLAT

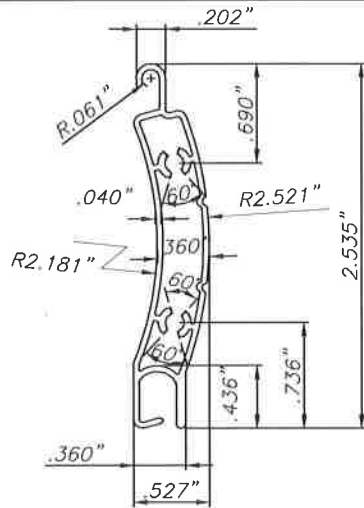


**(C) NYLON END RETAINER CAP**  
ONE AT EACH END OF EVERY OTHER  
SLAT, EACH FASTENED WITH TWO  
No. 8 BY 1 1/4" PAN HEAD S.D.S  
FOR 40MM SLAT

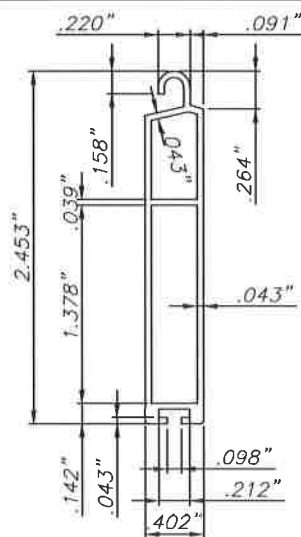


**(D) SIDE RAIL TYPE 1**  
EXTRUDED ALUMINUM  
FOR 40mm SLAT

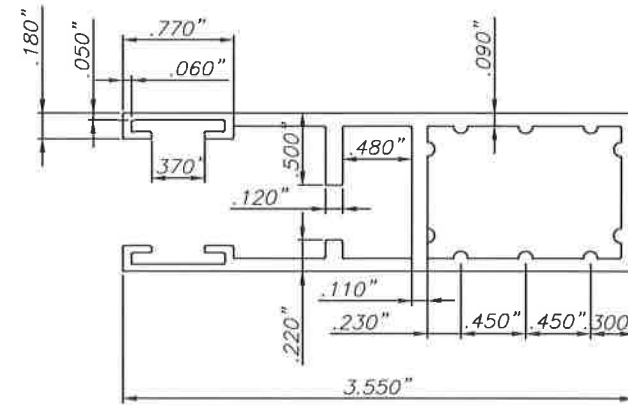
**COMPONENTS  
FOR 40mm**



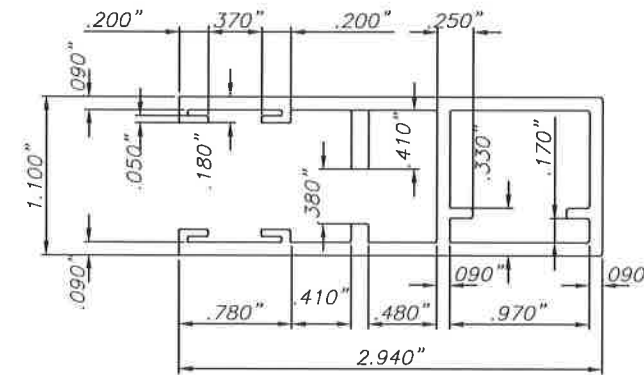
**(G) TYPE 3 SLAT**  
EXTRUDED ALUMINUM  
55mm SLAT



**(H) TYPE 3 SLAT:**  
EXTRUDED ALUMINUM  
BOTTOM 55mm SLAT

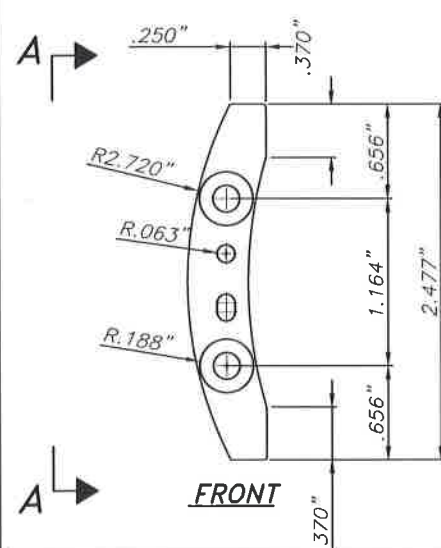


**(I) SIDE RAIL TYPE 2**  
EXTRUDED ALUMINUM  
SIDE RAIL 55mm SLAT

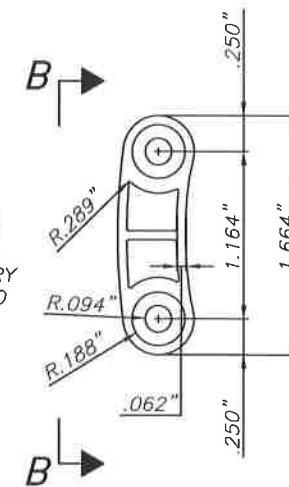


**(J) SIDE RAIL TYPE 3**  
EXTRUDED ALUMINUM  
SIDE RAIL 55mm SLAT

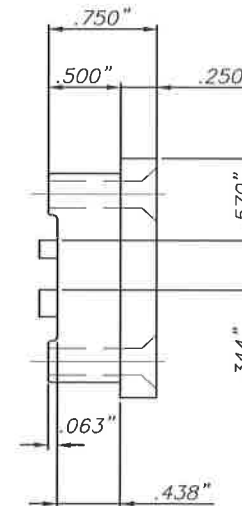
**COMPONENTS  
FOR 55mm**



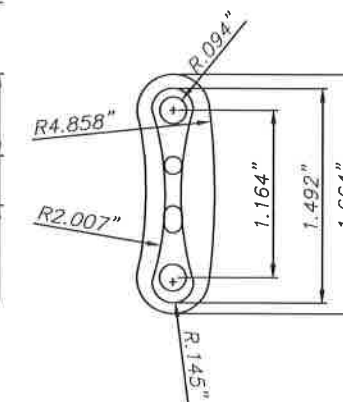
**(K) NYLON END RETAINER CAP**  
TWO NYLON RETAINER CLIPS FORMING  
ONE PIECE. ONE AT EACH END OF EVERY  
OTHER SLAT, EACH FASTENED WITH TWO  
No. 6 BY 2" PAN HEAD S.D.S  
FOR 55MM SLAT



**FRONT**



**VIEW B-B**



**BACK**

NOT FOR USE WITHIN HIGH VELOCITY HURRICANE ZONE

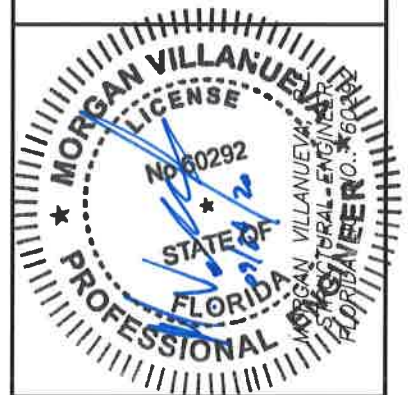
40mm, 55mm & 60mm END RETAINER  
ROLL-DOWN SHUTTER

ROLLINGSHIELD (MEMBER OF N.S.A.)

PHONE (305) 435-6661 FAX (305) 436-5523  
9875 NW 79TH Ave  
Hialeah Gardens, Florida 33016  
www.rollingshield.com

REV. No	DESCRIPTION	DATE
1	RENEWAL AS PER FBC EDITION 2017	09-19-2017
2	RENEWAL AS PER FBC EDITION 2020	09-16-2020
3		
4		

**V.M. Engineering Inc.**  
C. of A. No. 27633  
11278 S.W. 153rd Place  
MIAMI, FLORIDA 33196  
TEL: 786-281-6968  
TEL: 305-383-5896



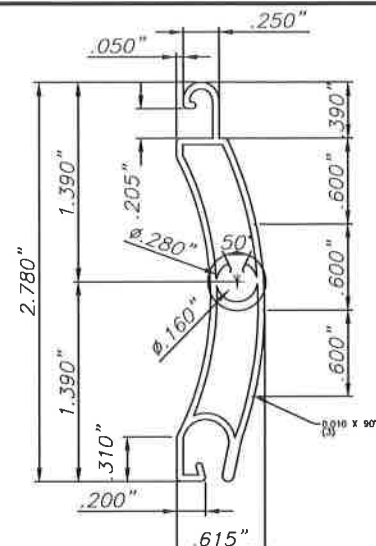
SCALE: AS SHOWN  
DATE: 09-16-2020

**F.B.C.**

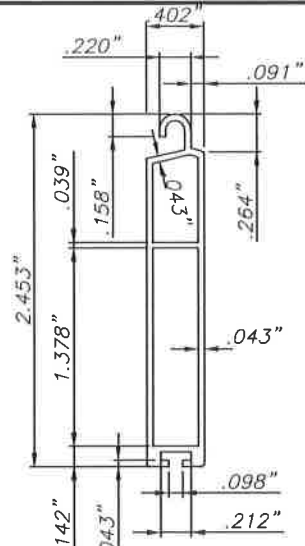
(Non High Velocity Hurricane Zone)

DWG No: 169-2020

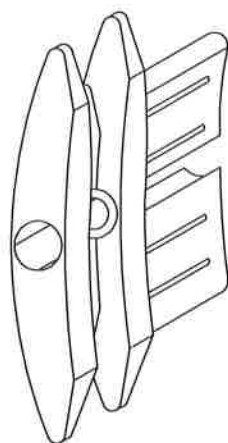
SHEET 2 OF 8



**(M) TYPE 5 SLAT**  
EXTRUDED ALUMINUM  
60mm SLAT

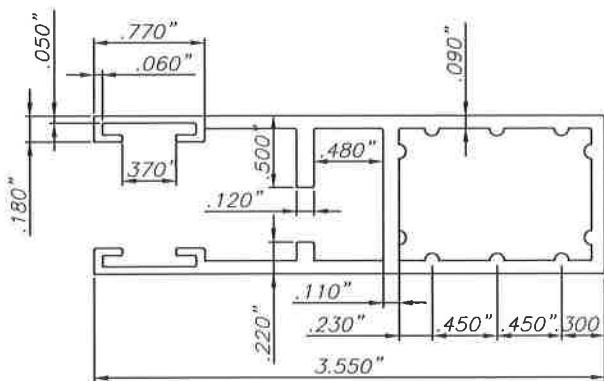


**(N) TYPE 6 SLAT:**  
EXTRUDED ALUMINUM  
60mm SLAT

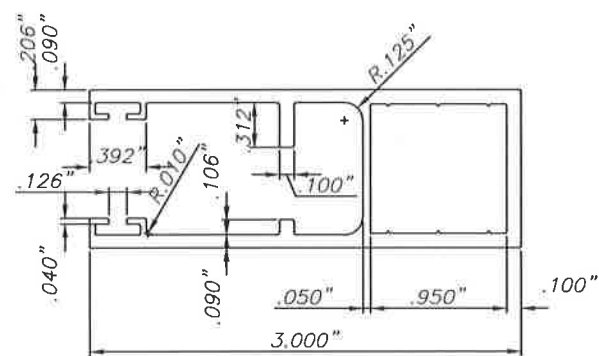


**(L) NYLON END RETAINER CAP**  
ONE AT EACH END OF EVERY OTHER SLAT,  
EACH FASTENED WITH TWO No. 8 BY 2 1/2"  
PAN HEAD S.D.S  
FOR 60MM SLAT

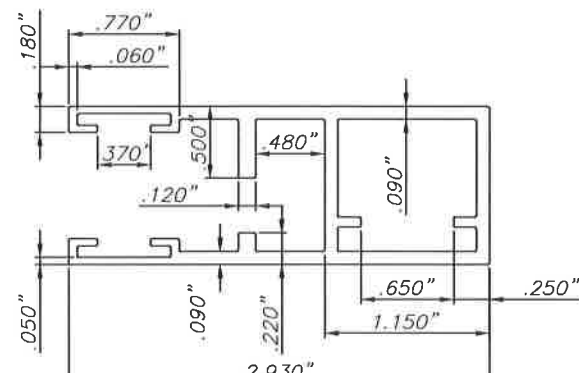
**COMPONENTS  
FOR 60mm**



**(P) SIDE RAIL TYPE 4**  
EXTRUDED ALUMINUM  
FOR 60mm SLAT

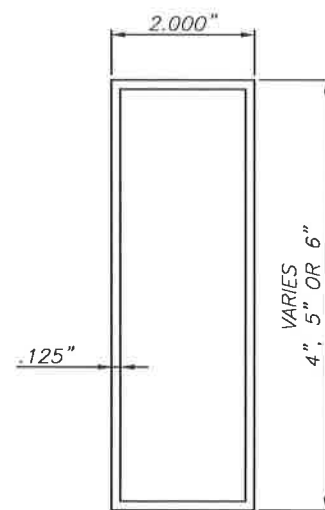


**(Q) SIDE RAIL TYPE 5**  
EXTRUDED ALUMINUM  
FOR 60mm SLAT



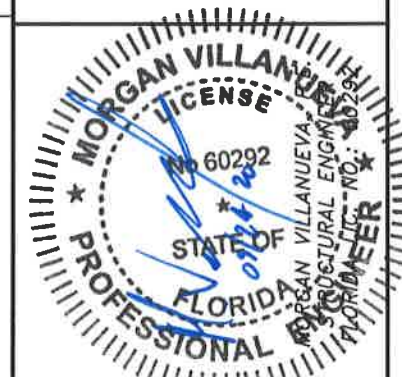
**(R) SIDE RAIL TYPE 6**  
EXTRUDED ALUMINUM  
FOR 60mm SLAT

NOT FOR USE WITHIN HIGH VELOCITY HURRICANE ZONE



**(X) B.O. TUBE**  
EXTRUDED ALUMINUM

**B.O. TUBE**



SCALE: AS SHOWN  
DATE: 09-16-2020

**F.B.C.**  
(Non High Velocity Hurricane Zone)

DWG No: 169-2020

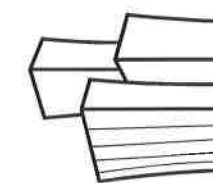
SHEET 3 OF 8

40mm, 55mm & 60mm END RETAINER  
ROLL-DOWN SHUTTER

**ROLLINGSHIELD (MEMBER OF N.S.A.)**

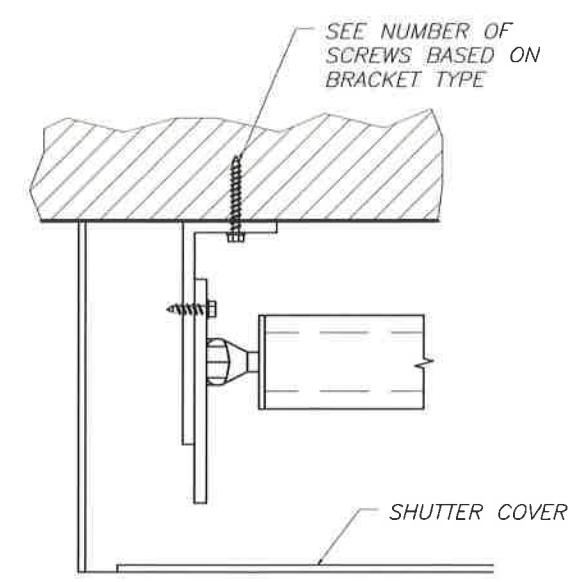
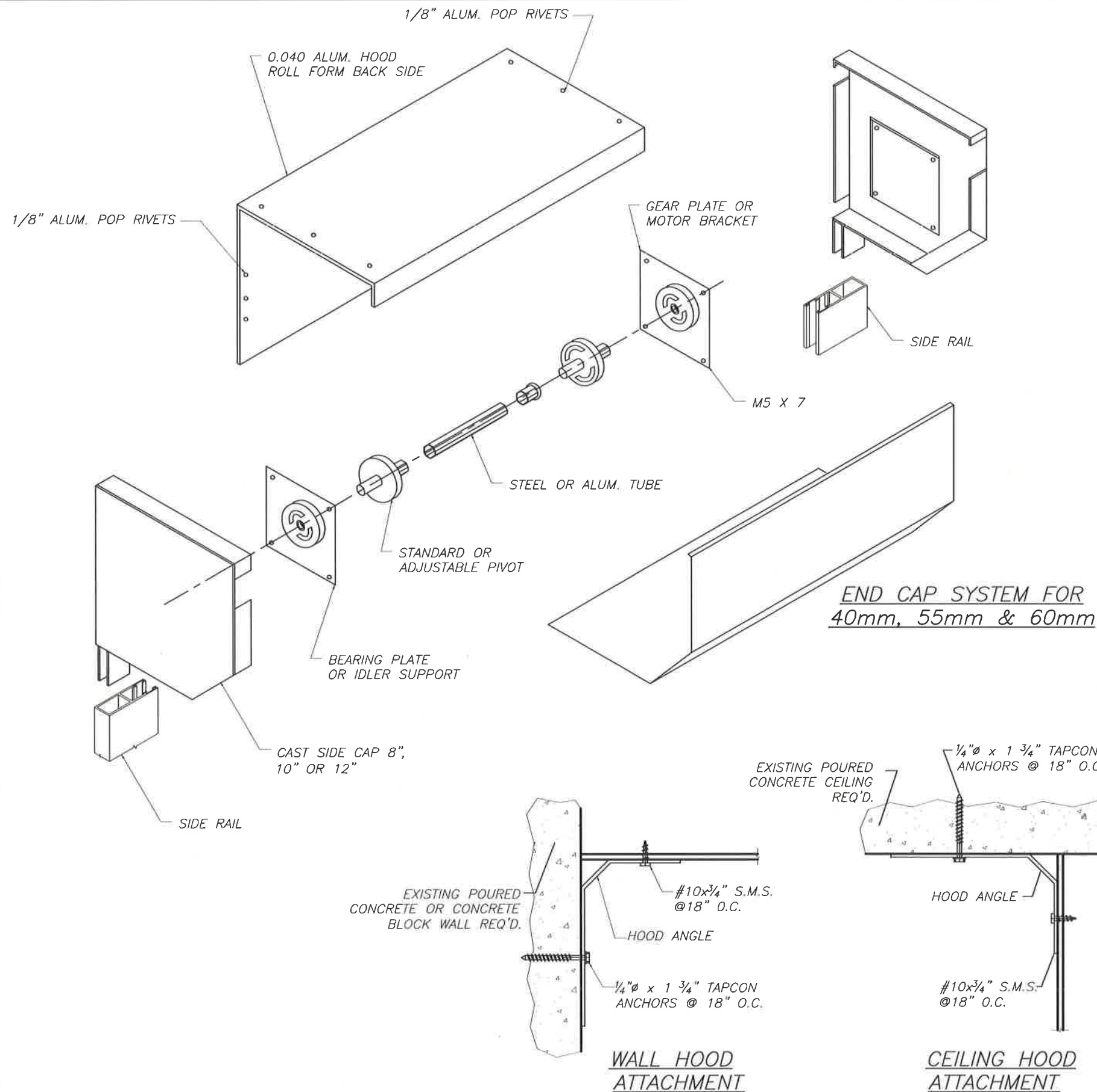
PHONE (305) 436-6661 FAX (305) 436-5523  
9875 NW 79TH Ave  
Hialeah Gardens, Florida 33016  
www.rollingshield.com

REV. No	DESCRIPTION	DATE
1	RENEWAL AS PER FBC EDITION 2017	09-19-2017
2	RENEWAL AS PER FBC EDITION 2020	09-16-2020
3		
4		

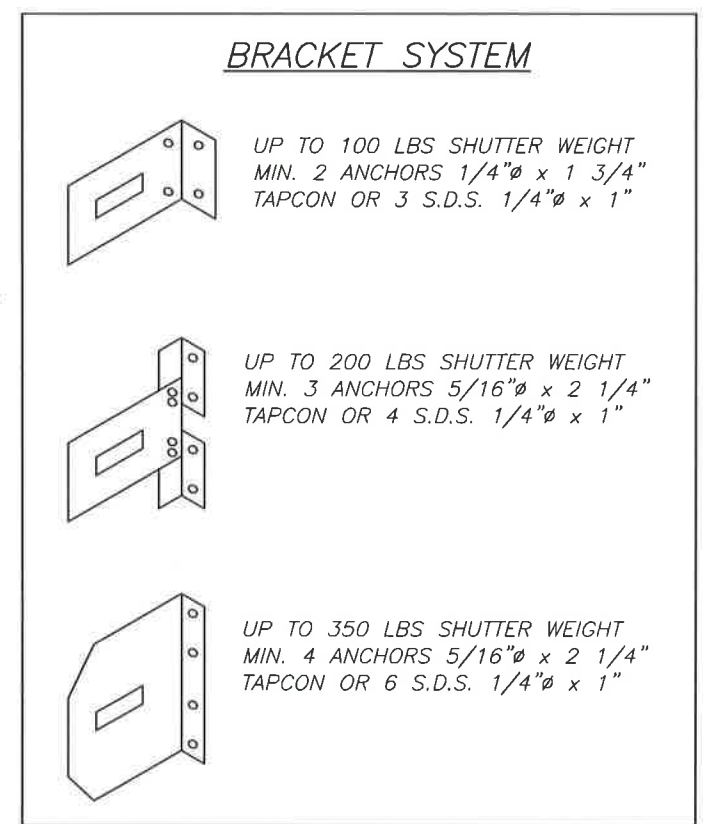


**V.M. Engineering Inc.**  
C. of A. No. 27633  
11278 S.W. 153rd Place  
MIAMI, FLORIDA 33196  
TEL: 786-281-6968  
TEL: 305-383-5896





WALL INSTALLATION



CUSTOM HOOD ATTACHMENT DETAIL

NOT FOR USE WITHIN HIGH VELOCITY HURRICANE ZONE

40mm, 55mm & 60mm END RETAINER  
ROLL-DOWN SHUTTER

**ROLLINGSIELD (MEMBER OF N.S.A.)**  
PHONE (305) 435-6661 FAX (305) 436-5523  
HiLoach Gardens, Florida 33016  
www.rollingsield.com

REV. No	DESCRIPTION	DATE
1	RENEWAL AS PER FBC EDITION 2017	09-19-2017
2	RENEWAL AS PER FBC EDITION 2020	09-16-2020
3		
4		

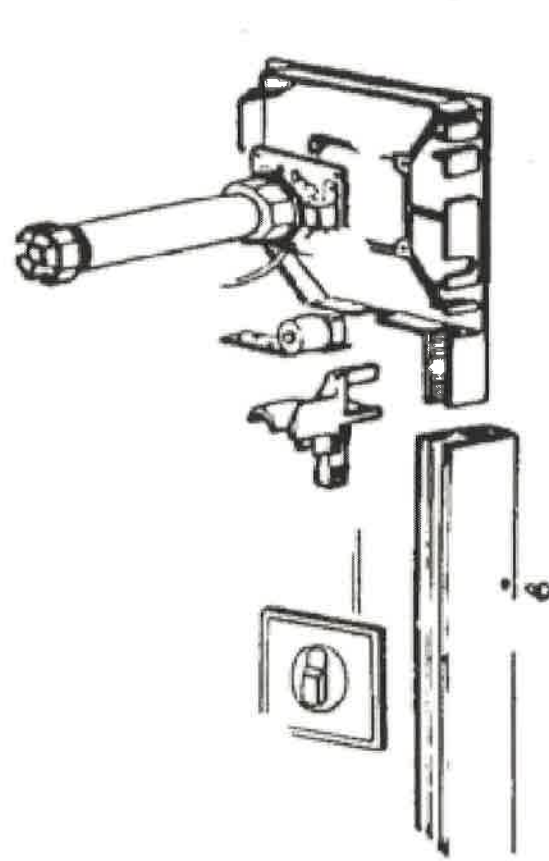
**V.M. Engineering Inc.**  
C. of A. No. 27633  
11278 S.W. 153rd Place  
MIAMI, FLORIDA 33196  
TEL: 786-281-6968  
TEL: 305-383-5896

MORGAN VILLANUEVA  
LICENSE  
No. 60292  
STATE OF FLORIDA  
PROFESSIONAL ENGINEER  
MORGAN VILLANUEVA  
LICENSE NO. 60292  
FLORIDA REGISTERED PROFESSIONAL ENGINEER

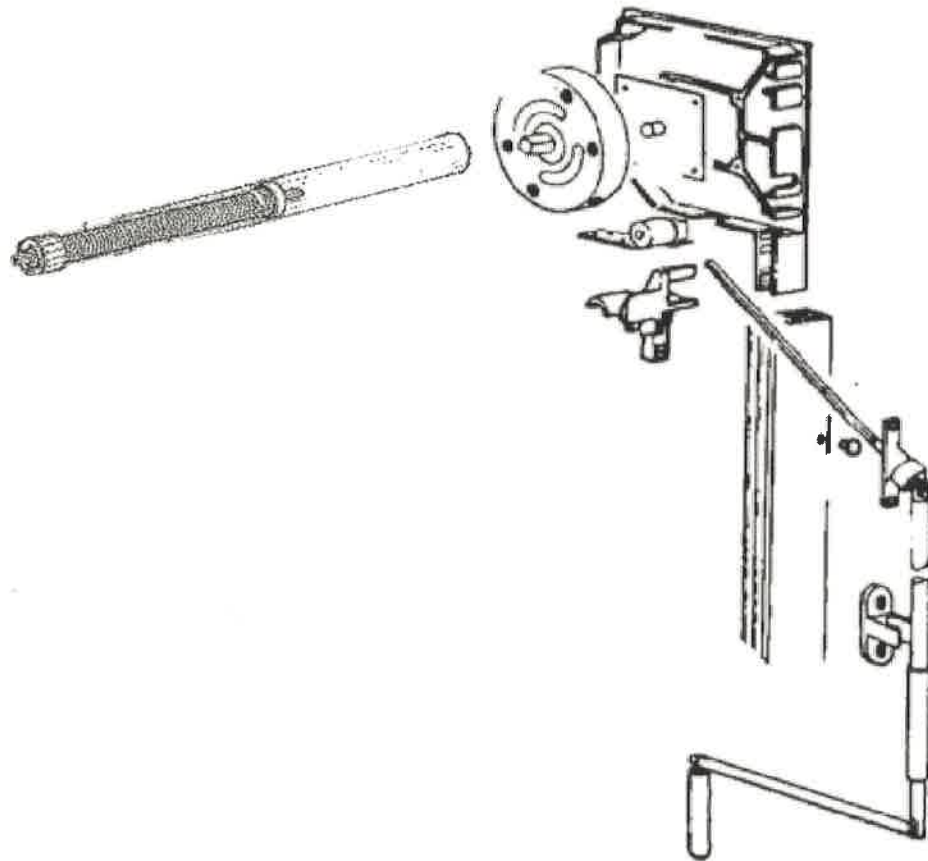
SCALE: AS SHOWN  
DATE: 09-16-2020

**F.B.C.**  
(Non High Velocity Hurricane Zone)

DWG No: 169-2020  
SHEET 4 OF 8



MOTORIZED ROLL-UP SHUTTER SYSTEM



HAND CRANK ROLL-UP SHUTTER SYSTEM

ALTERNATE ROLL-UP SHUTTER LIFTING MECHANISMS

NOT FOR USE WITHIN HIGH VELOCITY HURRICANE ZONE

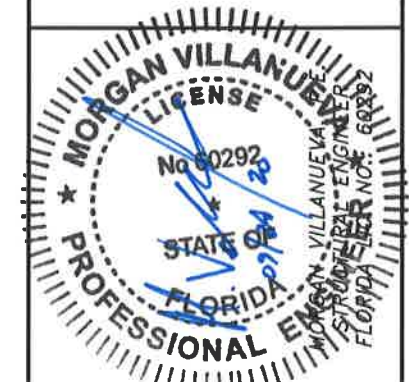
40mm, 55mm & 60mm END RETAINER  
ROLL-DOWN SHUTTER

ROLLINGSHIELD (MEMBER OF N.S.A.)

PHONE (305) 436-6661 FAX (305) 436-5523  
9875 NW 79TH Ave  
Hialeah Gardens, Florida 33016  
www.rollingshield.com

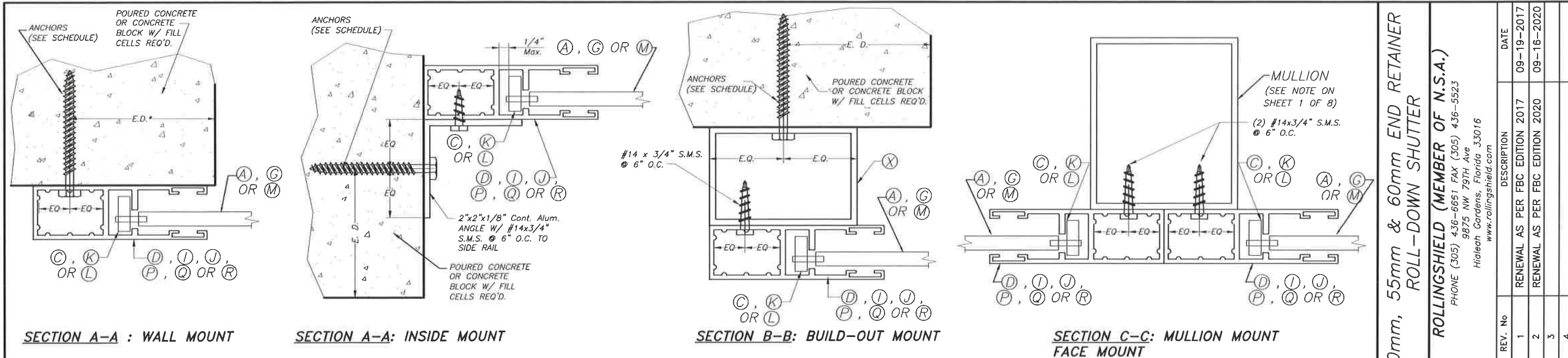
REV. No	DESCRIPTION	DATE
1	RENEWAL AS PER FBC EDITION 2017	09-19-2017
2	RENEWAL AS PER FBC EDITION 2020	09-16-2020
3		
4		

**V.M. Engineering Inc.**  
C. of A. No. 27633  
11278 S.W. 153rd Place  
MIAMI, FLORIDA 33196  
TEL: 786-281-6968  
TEL: 305-383-5896



SCALE:	AS SHOWN
DATE:	09-16-2020
<b>F.B.C.</b>	
(Non High Velocity Hurricane Zone)	
DWG No:	169-2020
SHEET	5 OF 8





40mm, 55mm & 60mm END RETAINER  
ROLL-DOWN SHUTTER

ROLLINGSHIELD (MEMBER OF N.S.A.)

PHONE (305) 436-6651 FAX (305) 436-5523  
9875 NW 79TH AVE  
Hialeah Gardens, Florida 33016  
www.rollingshield.com

REV. No	DESCRIPTION	DATE
1	RENEWAL AS PER FBC EDITION 2017	09-19-2017
2	RENEWAL AS PER FBC EDITION 2020	09-16-2020
3		
4		

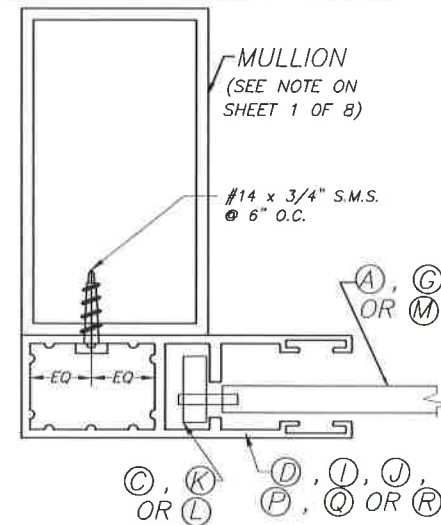
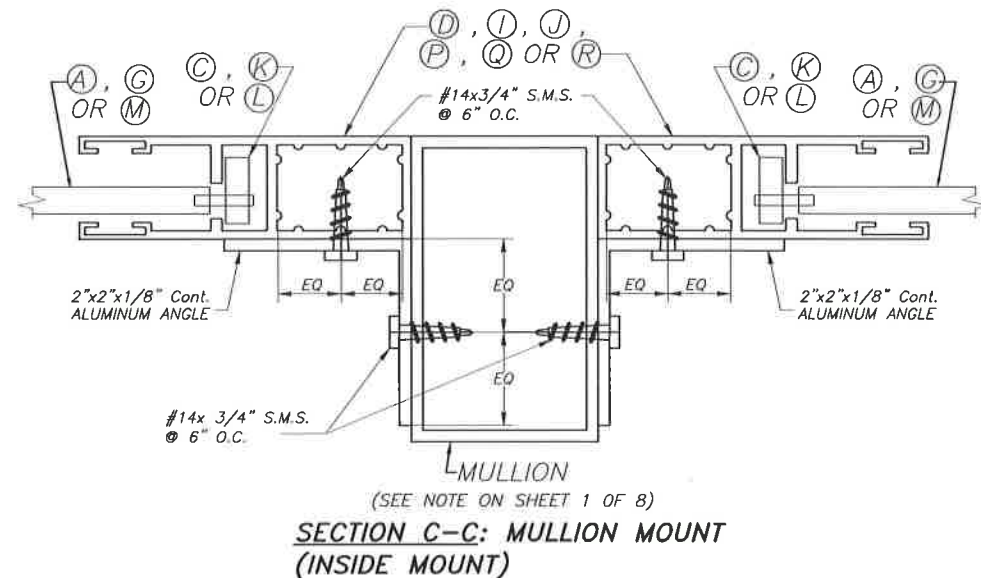
**SIDE RAIL ANCHOR SCHEDULE MAXIMUM ULTIMATE DESIGN PRESSURE RATING "W" (p.s.f.) AND CORRESPONDING MAXIMUM ANCHOR SPACING (in) \* FOR SIDE RAILS (D, I, J, P, Q & R) CONNECTIONS TO CONCRETE BLOCK OR POURED CONCRETE (USE NEGATIVE PRESSURE VALUES AS PER ASCE 7-16)**

MAXIMUM ULTIMATE DESIGN LOAD "W" (p.s.f.)	SIDE RAIL (D) USE ONLY 1/4" TAPCONS ANCHORS W/ 1 3/4" MIN. EMBEDMENT FOR MIN. E.D. SEE NOTES BELOW FOR 40mm SLAT ONLY			SIDE RAIL (I) USE ONLY 1/4" TAPCONS ANCHORS W/ 1 3/4" MIN. EMBEDMENT FOR MIN. E.D. SEE NOTES BELOW FOR 55mm SLAT ONLY			SIDE RAIL (J) USE ONLY 1/4" TAPCONS ANCHORS W/ 1 3/4" MIN. EMBEDMENT FOR MIN. E.D. SEE NOTES BELOW FOR 55mm SLAT ONLY			SIDE RAIL (P) USE ONLY 3/8" TAPCONS ANCHORS W/ 1 3/4" MIN. EMBEDMENT FOR MIN. E.D. SEE NOTES BELOW FOR 60mm SLAT ONLY			SIDE RAIL (Q) USE ONLY 3/8" TAPCONS ANCHORS W/ 1 3/4" MIN. EMBEDMENT FOR MIN. E.D. SEE NOTES BELOW FOR 60mm SLAT ONLY			SIDE RAIL (R) USE ONLY 3/8" TAPCONS ANCHORS W/ 1 3/4" MIN. EMBEDMENT FOR MIN. E.D. SEE NOTES BELOW FOR 60mm SLAT ONLY		
	WALL MOUNT	INSIDE MOUNT	BUILD-OUT MOUNT	WALL MOUNT	INSIDE MOUNT	BUILD-OUT MOUNT	WALL MOUNT	INSIDE MOUNT	BUILD-OUT MOUNT	WALL MOUNT	INSIDE MOUNT	BUILD-OUT MOUNT	WALL MOUNT	INSIDE MOUNT	BUILD-OUT MOUNT	WALL MOUNT	INSIDE MOUNT	BUILD-OUT MOUNT
50 OR LESS	6"	6"	6"	6"	6"	6"	6"	6"	6"	6"	6"	6"	6"	6"	6"	6"	6"	6"
>50 TO 116	6"	6"	6"	6"	6"	6"	6"	6"	6"	6"	6"	6"	6"	6"	6"	6"	6"	6"
>116 TO 166	-	-	-	-	-	-	-	-	-	6"	6"	6"	6"	6"	6"	6"	6"	6"
>166 TO 216	-	-	-	-	-	-	-	-	-	6"	6"	6"	6"	6"	6"	6"	6"	6"

\* SEE SHEET 7 OF 8 TO OBTAIN ALLOWABLE WIND PRESSURE

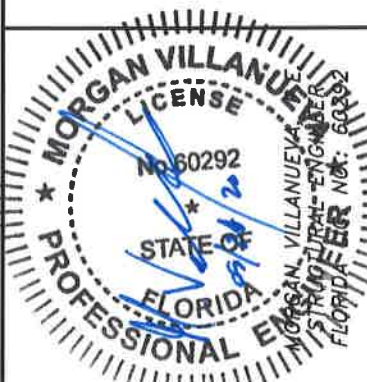
MAXIMUM ANCHOR SPACING FOR TAPCON, MAXI-SET TAPCONS OR CRETE-FLEX SS4 ARE VALID FOR 3 1/2" EDGE DISTANCE. FOR EDGE DISTANCE LESS THAN 3 1/2", REDUCE ANCHOR SPACING BY MULTIPLYING SPACING GIVEN ON SCHEDULE BY THE BELLOW FACTORS. THE MINIMUM ANCHOR SPACING FOR TAPCON, MAXI-SET TAPCONS OR CRETE-FLEX SS4 IS 3" O.C.

EXISTING E. D.	FACTOR
3"	.90
2 1/2"	.75
2"	.50



**NOT FOR USE WITHIN HIGH VELOCITY HURRICANE ZONE**

**V.M. Engineering Inc.**  
C. of A. No. 27633  
11278 S.W. 153rd Place  
MIAMI, FLORIDA 33196  
TEL: 786-281-6968  
TEL: 305-383-5896



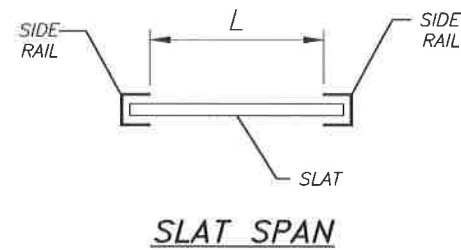
SCALE: AS SHOWN  
DATE: 09-16-2020  
**F.B.C.**  
(Non High Velocity Hurricane Zone)  
DWG No: 169-2020  
SHEET 6 OF 8

MAXIMUM NEGATIVE ULTIMATE DESIGN WIND  
PRESSURE RATING "W" (p.s.f.) AND CORRESPONDING  
MAXIMUM SLAT SPAN "L" FOR 40mm, 55mm &  
60mm SLATS

(USE NEGATIVE PRESSURE VALUES AS PER ASCE 7-16)

SLAT TYPE	Max. ULTIMATE DESIGN LOAD "W" (p.s.f.)	MAXIMUM SLAT SPAN	MINIMUM SEPARATION TO GLASS (in)
40mm	116.0 OR LESS	11'-6"	10.00
55mm	116.0 OR LESS	19'- 3 1/2"	17.85
60mm	66 OR LESS	19'- 3 1/2"	16.13
60mm	75.0	18'- 8"	15.67
60mm	83.0	18'- 2"	15.25
60mm	91.0	17'- 8"	14.67
60mm	100.0	17'- 2"	13.95
60mm	108.0	16'- 8"	13.13
60mm	116.0	16'- 4"	13.07
60mm	125.0	16'- 0"	12.95
60mm	133.0	15'- 8"	12.75
60mm	141.0	15'- 4"	12.45
60mm	150.0	15'- 0"	12.13
60mm	158.0	14'- 8"	11.75
60mm	166.0	14'- 4"	11.30
60mm	175.0	14'- 0"	10.85
60mm	183.0	13'- 8"	10.37
60mm	191.0	13'- 4"	9.84
60mm	200.0	13'- 0"	9.32
60mm	208.0	12'- 8"	8.79
60mm	216.0	12'- 5"	8.47

NOTE: TO OBTAIN ALLOWABLE PRESSURE MULTIPLY THE ULTIMATE WIND PRESSURE BY 0.6 FACTOR

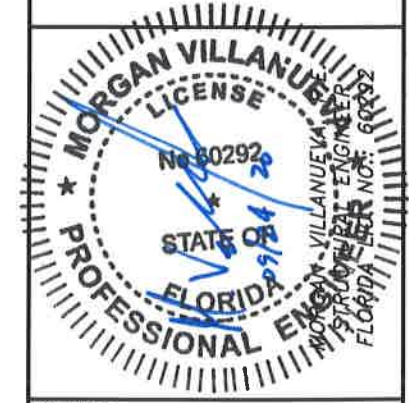


40mm, 55mm & 60mm END RETAINER  
ROLL-DOWN SHUTTER

**ROLLINGSHIELD (MEMBER OF N.S.A.)**  
PHONE (305) 436-6661 FAX (305) 436-5523  
Hialeah Gardens, Florida 33016  
www.rollingshield.com

REV. No	DESCRIPTION	DATE
1	RENEWAL AS PER FBC EDITION 2017	09-19-2017
2	RENEWAL AS PER FBC EDITION 2020	09-16-2020
3		
4		

**V.M. Engineering Inc.**  
C. of A. No. 27633  
11278 S.W. 153rd Place  
MIAMI, FLORIDA 33196  
TEL: 786-281-6968  
TEL: 305-383-5896



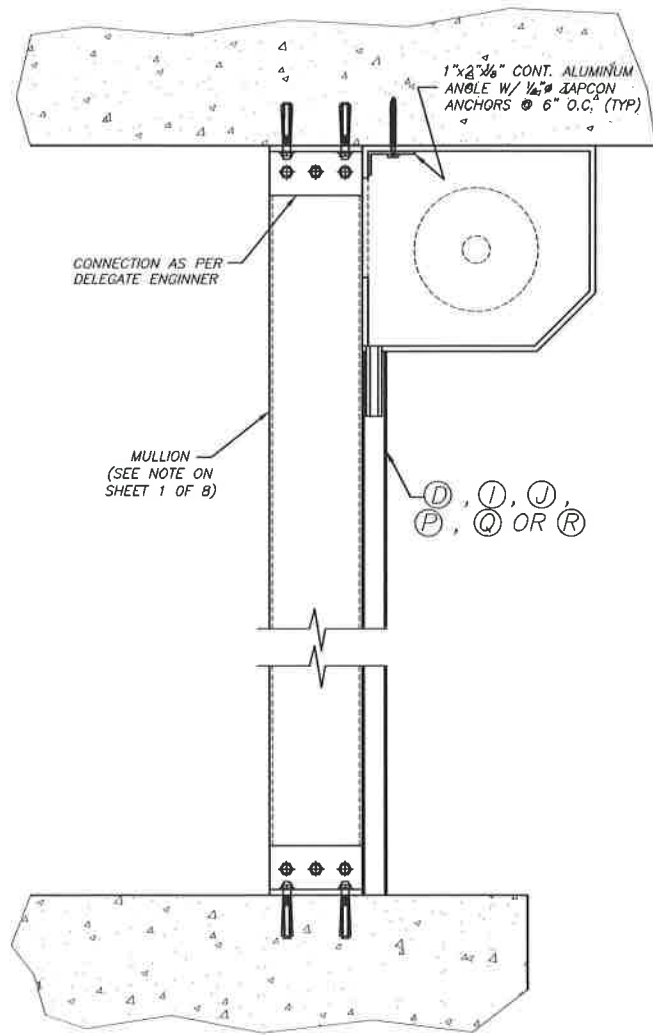
SCALE: AS SHOWN  
DATE: 09-16-2020

**F.B.C.**  
(Non High Velocity Hurricane Zone)

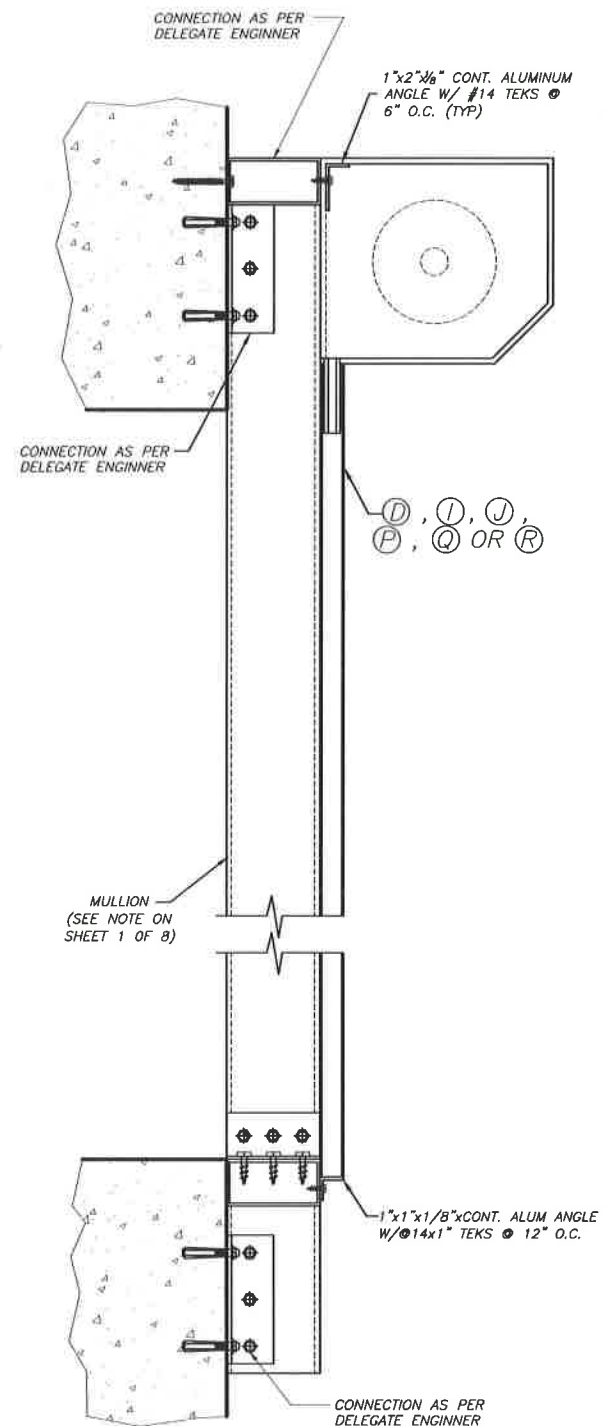
DWG No: 169-2020  
SHEET 7 OF 8

**NOT FOR USE WITHIN HIGH VELOCITY HURRICANE ZONE**





FLOOR/CEILING MOUNTING  
MULLION CONNECTION



WALL MOUNTING MULLION  
CONNECTION AT TOP & BOTTOM

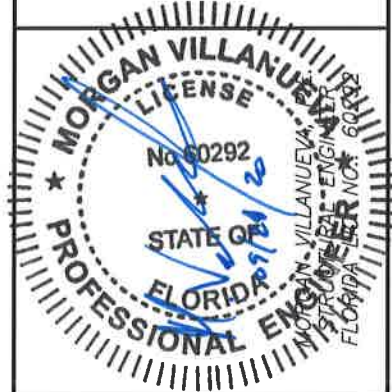
**NOT FOR USE WITHIN HIGH VELOCITY HURRICANE ZONE**

**40mm, 55mm & 60mm END RETAINER  
ROLL-DOWN SHUTTER**

**ROLLINGSHIELD (MEMBER OF N.S.A.)**  
 PHONE (305) 436-6661 FAX (305) 436-5523  
 9875 NW 79TH Ave  
 Hialeah Gardens, Florida 33016  
 www.rollingshield.com

REV. No	DESCRIPTION	DATE
1	RENEWAL AS PER FBC EDITION 2017	09-19-2017
2	RENEWAL AS PER FBC EDITION 2020	09-16-2020
3		
4		

**V.M. Engineering Inc.**  
 C. of A. No. 27633  
 11278 S.W. 153rd Place  
 MIAMI, FLORIDA 33196  
 TEL: 786-281-6968  
 TEL: 305-383-5696



SCALE: AS SHOWN  
 DATE: 09-16-2020

**F.B.C.**  
 (Non High Velocity Hurricane Zone)

DWG No: **169-2020**  
 SHEET **8 OF 8**