

GENERAL NOTES:

1. BERTHA COLONIAL SHUTTER SHOWN ON THIS PRODUCT EVALUATION DOCUMENT (P.E.D.) HAS BEEN VERIFIED FOR COMPLIANCE IN ACCORDANCE WITH THE **2020 (7th EDITION)** OF THE FLORIDA BUILDING CODE. THIS COLONIAL SHUTTER MAY BE INSTALLED AT HIGH VELOCITY HURRICANE ZONES.

DESIGN WIND LOADS SHALL BE DETERMINED AS PER SECTION **1620** OF THE ABOVE MENTIONED CODE, FOR A BASIC WIND SPEED AS REQUIRED BY THE JURISDICTION WHERE THESE SHUTTERS WILL BE INSTALLED FOR A DIRECTIONALITY FACTOR $K_d=0.85$. **USING ASCE 7-16** AND SHALL NOT EXCEED THE MAXIMUM (A.S.D.) DESIGN PRESSURE RATINGS INDICATED ON NOTE 2.

IN ORDER TO VERIFY THE ABOVE CONDITION, ULTIMATE DESIGN WIND LOADS DETERMINED PER **ASCE 7-16** SHALL BE FIRST REDUCED TO A.S.D. DESIGN WIND LOADS BY MULTIPLYING THEM BY 0.6 IN ORDER TO TO COMPARE THESE W/ MAX. (A.S.D) DESIGN PRESSURE RATINGS INDICATED ON NOTE 2.

DESIGN WIND LOADS SHALL BE DETERMINED AS PER SECTION 1620 OF THE ABOVE MENTIONED CODE. IN ORDER TO VERIFY THAT ANCHORS ON THIS P.E.D., AS TESTED, WERE NOT OVERSTRESSED, A 33% INCREASE IN ALLOWABLE STRESS FOR WIND LOADS WAS NOT USED IN THEIR ANALYSIS. HOWEVER, FOR CONNECTIONS INTO WOOD, A 1.60 WIND LOAD DURATION FACTOR WAS USED TO CALCULATE SCREWS SPACINGS.

BERTHA COLONIAL SHUTTER'S ADEQUACY FOR IMPACT AND FATIGUE RESISTANCE HAS BEEN VERIFIED IN ACCORDANCE WITH SECTION **1626** OF THE ABOVE MENTIONED CODE AS PER AMERICAN TESTING LABORATORY OF SOUTH FLORIDA REPORT # 0926.01-07 AND PER PROTOCOLS TAS 201, 202 & 203.

- 2. SEE ELEVATIONS ON SHEETS 3 & 9 FOR MAX. A.S.D. DESIGN PRESSURE RATING & MAX. SHUTTER DIMENSIONS.
- 3. ALL ALUMINUM EXTRUSIONS SHALL BE ALUMINUM ASSOCIATION 6063-T6 ALLOY AND TEMPER, WITH $F_y = 25.0$ ksi MINIMUM (UNLESS OTHERWISE NOTED). ALL ALUMINUM EXTRUSIONS IN CONTACT WITH DISSIMILAR MATERIALS SHALL COMPLY WITH SECTION III-6 OF THE 2015 ALUMINUM DESIGN MANUAL.
- 4. ALL SCREWS TO BE STAINLESS STEEL 304 OR 316 AISI SERIES WITH 50 ksi YIELD POINT AND 90 ksi TENSILE STRENGTH & SHALL COMPLY W/ FLORIDA BUILDING CODE SECTION 2411.3.3.4.
- 5. BOLTS TO BE AISI 304 SERIES STAINLESS STEEL WITH 35 ksi MINIMUM YIELD STRENGTH.
- 6. ALL ALUMINUM POP RIVETS TO BE 5052 ALUMINUM ALLOY WITH ALUMINUM MANDREL.
- 7. ANCHORS TO WALL SHALL BE AS FOLLOWS: (UNLESS OTHERWISE NOTED)

(A) TO EXISTING WOOD FRAME WALL: SOUTHERN PINE No.2, $G=0.55$.
 - 1/4" ϕ ULTRACON ANCHORS AS MANUFACTURED BY ELCO CONSTRUCTION PRODUCTS.

NOTES:

A.1) MINIMUM THREADED PENETRATION OF ULTRACON INTO WOOD SHALL BE 1 1/2".

A.2) IN CASE THAT PRECAST STONE, PLYWOOD OR PRECAST CONCRETE PANELS BE FOUND ON THE EXISTING WALL, ANCHORS SHALL BE LONG ENOUGH TO REACH THE MAIN STRUCTURE BEHIND SUCH PANELS. ANCHORAGE SHALL BE AS INDICATED ON NOTES A.1).

(B) TO EXISTING POURED CONCRETE MIN. ($f'_c = 3192$ p.s.i) OR ASTM C-90 CONCRETE BLOCK
 - 1/4" ϕ ULTRACON ANCHORS AS MANUFACTURED BY ELCO CONSTRUCTION PRODUCTS.

NOTES:

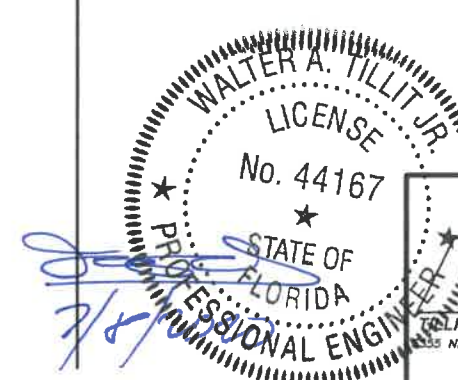
B.1) MINIMUM EMBEDMENT OF ULTRACON INTO POURED CONCRETE SHALL BE 1 3/4" AND INTO THE CONCRETE BLOCK UNIT SHALL BE 1 1/4".

B.2) IN CASE THAT PRECAST STONE, STUCCO OR PRECAST CONCRETE PANELS BE FOUND ON THE EXISTING WALL, ANCHORS SHALL BE LONG ENOUGH TO REACH THE MAIN STRUCTURE BEHIND SUCH PANELS. ANCHORAGE SHALL BE AS INDICATED ON NOTES B.1).

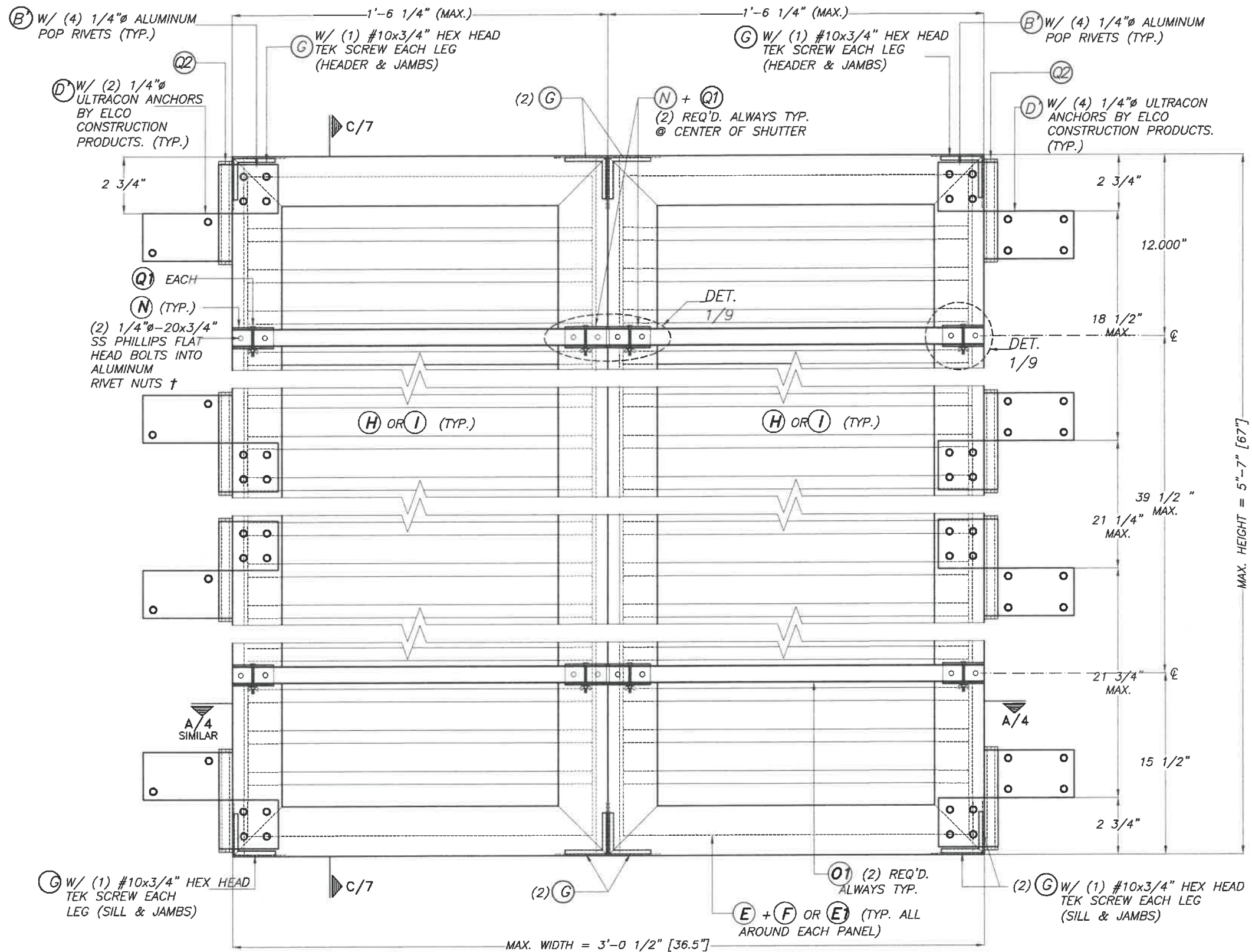
(C) ANCHORS SHALL BE INSTALLED FOLLOWING ALL OF THE RECOMMENDATIONS AND SPECIFICATIONS OF THE ANCHOR'S MANUFACTURER.

- 8. EACH SHUTTER SHALL HAVE A LEGIBLE AND READILY VISIBLE MARKING INSTRUCTING OWNER OR TENANT TO SECURE SHUTTER WITH STORM BARS & SAFETY BOLTS DURING PERIODS OF HURRICANE WARNINGS.
- 9. IT SHALL BE THE RESPONSIBILITY OF THE CONTRACTOR TO VERIFY THE SOUNDNESS OF THE STRUCTURE WHERE SHUTTER IS TO BE ATTACHED TO INSURE PROPER ANCHORAGE. CONTRACTOR TO SEAL/CAULK ALL SHUTTER COMPONENT EDGES WHICH REMAIN IN CONTINUOUS CONTACT WITH THE BUILDING TO PREVENT WIND/RAIN INTRUSION.
- 10. OWNER TO BE RESPONSIBLE FOR PROVIDING A SUITABLE PLATFORM OR BALCONY WHEN SECURING UNIT DURING HURRICANE WARNINGS.
- 11. BERTHA COLONIAL SHUTTER'S INSTALLATION SHALL COMPLY WITH SPECS INDICATED IN THIS DRAWING PLUS ANY BUILDING AND ZONING REGULATIONS PROVIDED BY THE JURISDICTION WHERE PERMIT IS APPLIED TO.
- 12. SHUTTER MANUFACTURER'S LABEL SHALL BE LOCATED ON A READILY VISIBLE LOCATION AT COLONIAL SHUTTER IN ACCORDANCE WITH SECTION 1709.9.3 OF FLORIDA BUILDING CODE. ONE LABEL SHALL BE PLACED FOR EVERY OPENING. LABELING TO COMPLY WITH SECTION 1709.9.2 OF THE FLORIDA BUILDING CODE.
- 13. (a) THIS PRODUCT EVALUATION DOCUMENT (P.E.D.) PREPARED BY THIS ENGINEER IS GENERIC AND DOES NOT PROVIDE INFORMATION FOR A SITE SPECIFIC PROJECT; i. e. WHERE THE SITE CONDITIONS DEVIATE FROM THE P.E.D.
- (b) CONTRACTOR TO BE RESPONSIBLE FOR THE SELECTION, PURCHASE AND INSTALLATION INCLUDING LIFE SAFETY OF THIS PRODUCT, BASED ON THIS PRODUCT EVALUATION DOCUMENT, PROVIDED HE/SHE DOES NOT DEVIATE FROM THE CONDITIONS DETAILED ON THIS DOCUMENT. CONSTRUCTION SAFETY AT SITE IS THE CONTRACTOR'S RESPONSIBILITY.
- (c) THIS PRODUCT EVALUATION DOCUMENT WILL BE CONSIDERED INVALID IF ALTERED BY ANY MEANS.
- (d) SITE SPECIFIC PROJECTS SHALL BE PREPARED BY A FLORIDA REGISTERED ENGINEER OR ARCHITECT WHICH WILL BECOME THE ENGINEER OF RECORD (E.O.R.) FOR THE PROJECT AND WHO WILL BE RESPONSIBLE FOR THE PROPER USE OF THE P.E.D. ENGINEER OF RECORD, ACTING AS A DELEGATED ENGINEER TO THE P.E.D. ENGINEER, SHALL SUBMIT TO THIS LATTER THE SITE SPECIFIC DRAWINGS FOR REVIEW.
- (e) ORIGINAL P.E.D. SHALL BEAR THE DATE AND ORIGINAL SEAL AND SIGNATURE OF THE PROFESSIONAL ENGINEER OF RECORD THAT PREPARED IT.

THIS DRAWING SHALL ONLY BE USED TO OBTAIN PERMITS IN THE STATE OF FLORIDA



© 2020 TILTECO, INC.		FLORIDA BUILDING CODE (High Velocity Hurricane Zone)			
TILTECO INC.		ASSA / BERTHA COLONIAL SHUTTER (WITH STORM BARS)			
TILTECO TESTING & ENGINEERING COMPANY 4268 N.W. 38th St., Ste. 305, VIRGINIA GARDENS, FLORIDA 33188 Phone: (305)871-1530 Fax: (305)871-1531 CA-0006719 WALTER A. TILLIT Jr., P.E. FLORIDA Lic. # 44167		AMERICAN SHUTTER SYSTEMS ASSOC., INC. 4268 WEST ROADS DRIVE WEST PALM BEACH, FL 33407 PHONE: (800)432-2204 FAX: (561)209-8380			
M.P. DRAWN BY:		7/1/2020 DATE:			
20-162 DRAWING No		SHEET 1 OF 14			
REV. No	DESCRIPTION	DATE	REV. No	DESCRIPTION	DATE
1	OLD 17-105	7/1/2020	3	-	-
2	-	-	4	-	-

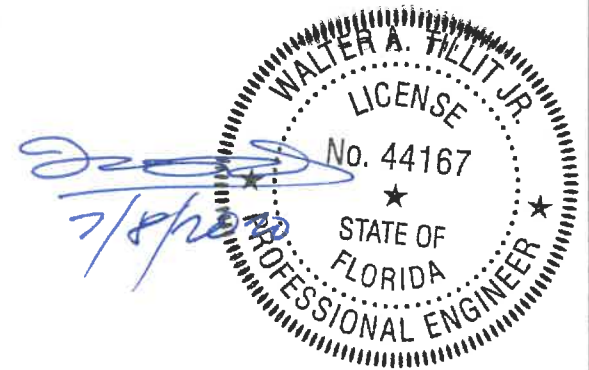


**TYPICAL EXTERIOR ELEV. DOUBLE PANEL
(HURRICANE POSITION)**

SCALE: 3/16"=1"

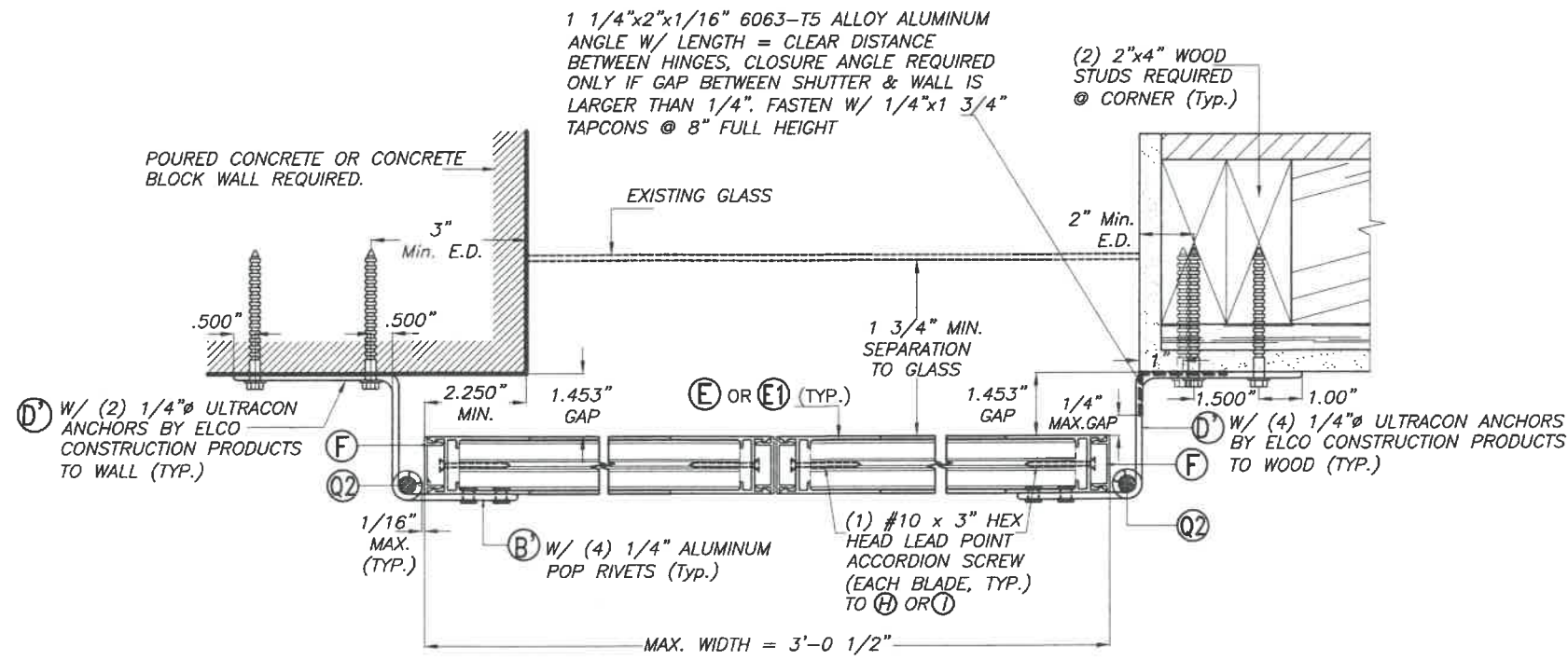
† 1/4"Ø-20x3/4"
AS DISTRIBUTED BY ALL POINTS
SCREW, BOLT & SPECIALTY CO.
(PART # 25CRFNA).

MAXIMUM A.S.D. DESIGN PRESSURE RATING = +60.0, -81.0 p.s.f. FOR
INSTALLATION INTO CONCRETE OR CONCRETE BLOCK WALL SUBSTRATE.

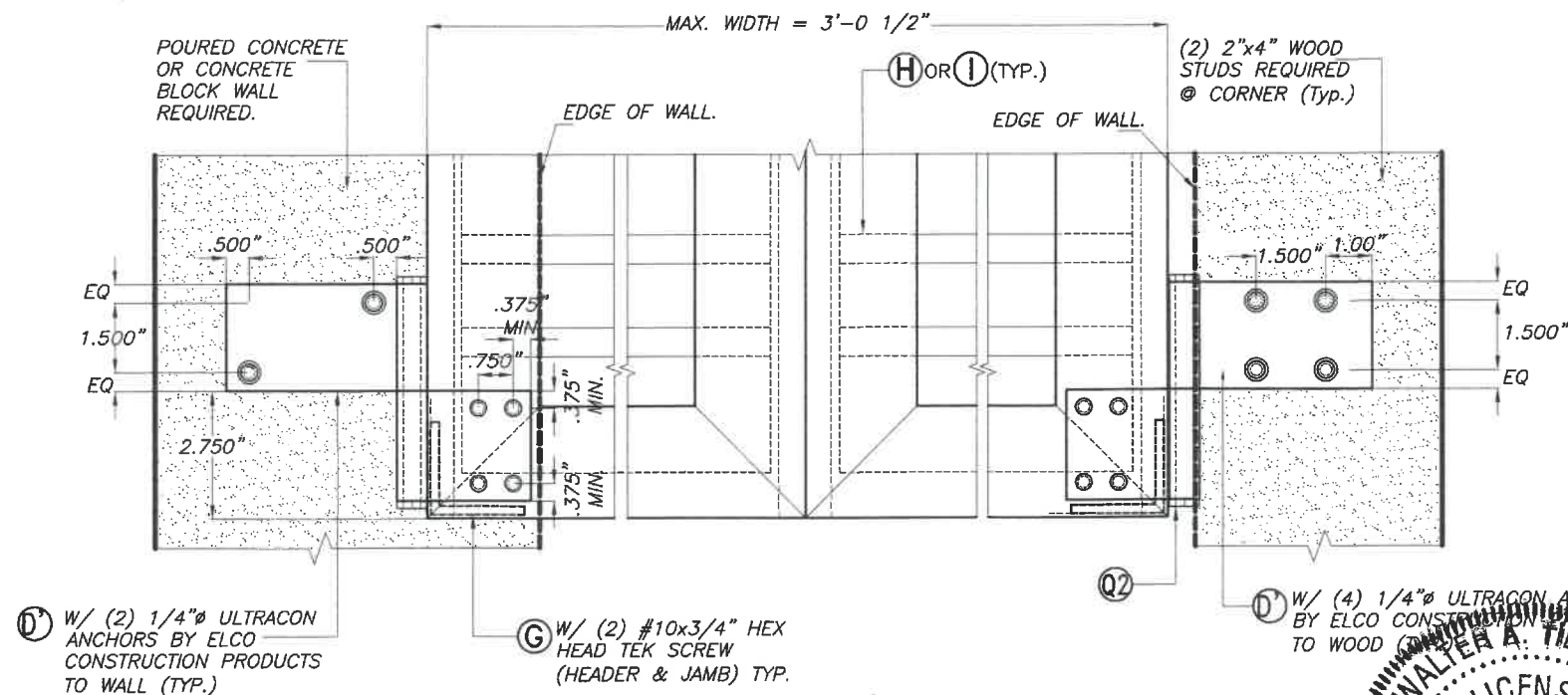


FLORIDA BUILDING CODE (High Velocity Hurricane Zone)

<p align="center">© 2020 TILTECO, INC.</p> <p align="center">TILTECO inc.</p> <p>TILLIT TESTING & ENGINEERING COMPANY 6355 N.W. 36th St., Ste. 305, VIRGINIA GARDENS, FLORIDA 33166 Phone : (305)871-1530 . Fax : (305)871-1531 CA-0006719 WALTER A. TILLIT Jr., P.E. FLORIDA Lic. # 44167</p>		<p align="center">ASSA / BERTHA COLONIAL SHUTTER (WITH STORM BARS)</p>		<p>M.P. DRAWN BY:</p>																		
		<p align="center">AMERICAN SHUTTER SYSTEMS ASSOC., INC.</p> <p align="center">4268 WEST ROADS DRIVE WEST PALM BEACH, FL. 33407 PHONE: (800)432-2204 FAX: (561)209-8380</p>		<p>7/1/2020 DATE:</p>																		
		<p align="center">20-162</p> <p align="center">DRAWING No</p>		<p align="center">20-162</p> <p align="center">DRAWING No</p>																		
<table border="1"> <thead> <tr> <th>REV. No</th> <th>DESCRIPTION</th> <th>DATE</th> <th>REV. No</th> <th>DESCRIPTION</th> <th>DATE</th> </tr> </thead> <tbody> <tr> <td>1</td> <td>OLD 17-105</td> <td>7/1/2020</td> <td>3</td> <td>-</td> <td>-</td> </tr> <tr> <td>2</td> <td>-</td> <td>-</td> <td>4</td> <td>-</td> <td>-</td> </tr> </tbody> </table>	REV. No	DESCRIPTION	DATE	REV. No	DESCRIPTION	DATE	1	OLD 17-105	7/1/2020	3	-	-	2	-	-	4	-	-			<p align="right">SHEET 3 OF 14</p>	
REV. No	DESCRIPTION	DATE	REV. No	DESCRIPTION	DATE																	
1	OLD 17-105	7/1/2020	3	-	-																	
2	-	-	4	-	-																	



SECTION A-A
SCALE 1/4"=1"

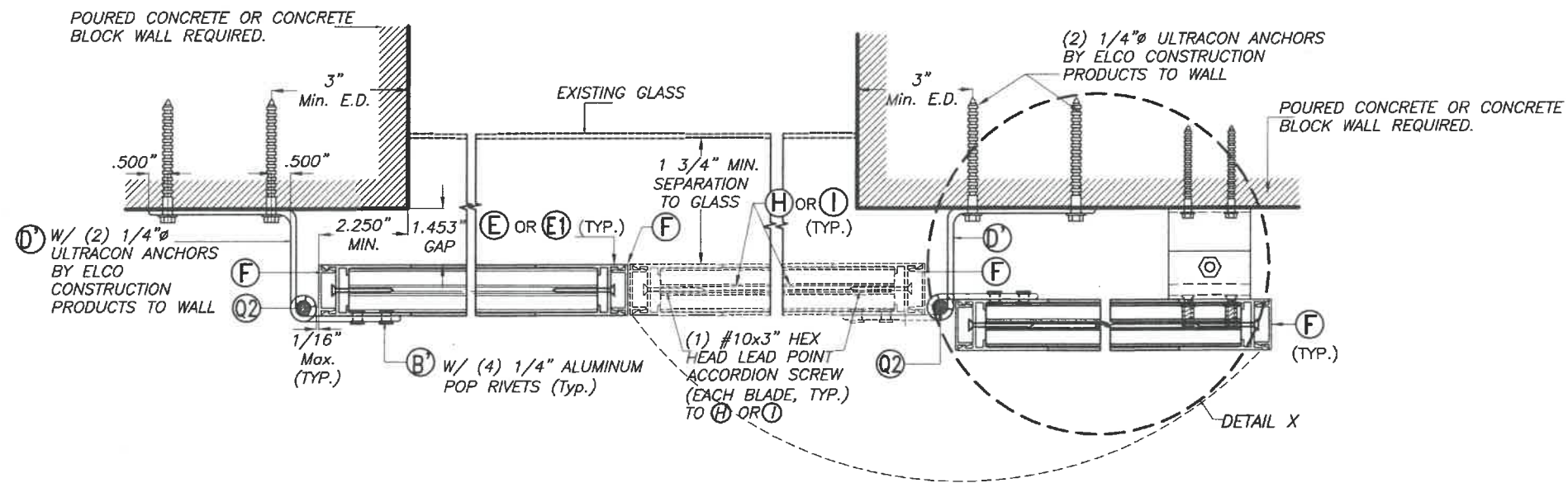


VIEW 1
(PARTIAL ELEVATION)
SCALE 1/4"=1"

WALTER A. TILLIT JR.
LICENSE
No. 44167
STATE OF FLORIDA
PROFESSIONAL ENGINEER
7/8/2020

FLORIDA BUILDING CODE (High Velocity Hurricane Zone)

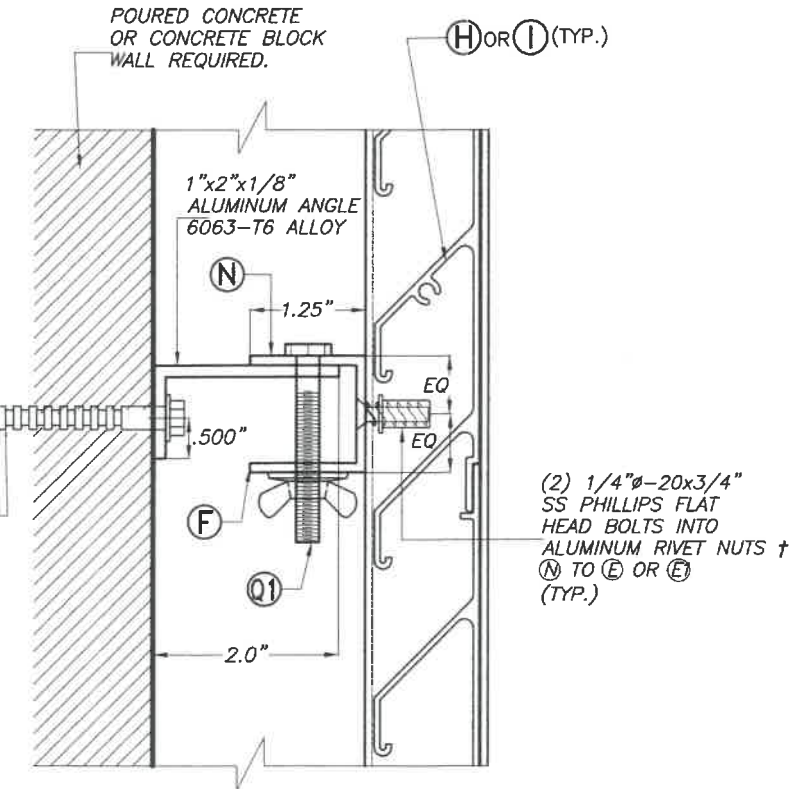
© 2020 TILTECO, INC.		ASSA / BERTHA COLONIAL SHUTTER (WITH STORM BARS)		M.P.																
 TILLIT TESTING & ENGINEERING COMPANY 6355 N.W. 36th St., Ste. 305, VIRGINIA GARDENS, FLORIDA 33186 Phone: (305)871-1530 • Fax: (305)871-1531 CA-0006719 WALTER A. TILLIT JR., P.E. FLORIDA Lic. # 44167		AMERICAN SHUTTER SYSTEMS ASSOC., INC. 4268 WEST ROADS DRIVE WEST PALM BEACH, FL. 33407 PHONE: (800)432-2204 FAX: (561)209-8380		DRAWN BY: 7/1/2020 DATE:																
		<table border="1"> <thead> <tr> <th>REV. No</th> <th>DESCRIPTION</th> <th>DATE</th> <th>REV. No</th> <th>DESCRIPTION</th> <th>DATE</th> </tr> </thead> <tbody> <tr> <td>1</td> <td>OLD 17-105</td> <td>7/1/2020</td> <td>3</td> <td>-</td> <td>-</td> </tr> <tr> <td>2</td> <td>-</td> <td>-</td> <td>4</td> <td>-</td> <td>-</td> </tr> </tbody> </table>		REV. No	DESCRIPTION	DATE	REV. No	DESCRIPTION	DATE	1	OLD 17-105	7/1/2020	3	-	-	2	-	-	4	-
REV. No	DESCRIPTION	DATE	REV. No	DESCRIPTION	DATE															
1	OLD 17-105	7/1/2020	3	-	-															
2	-	-	4	-	-															
				SHEET 4 OF 14																



TYPICAL PLAN (NON HURRICANE POSITION)

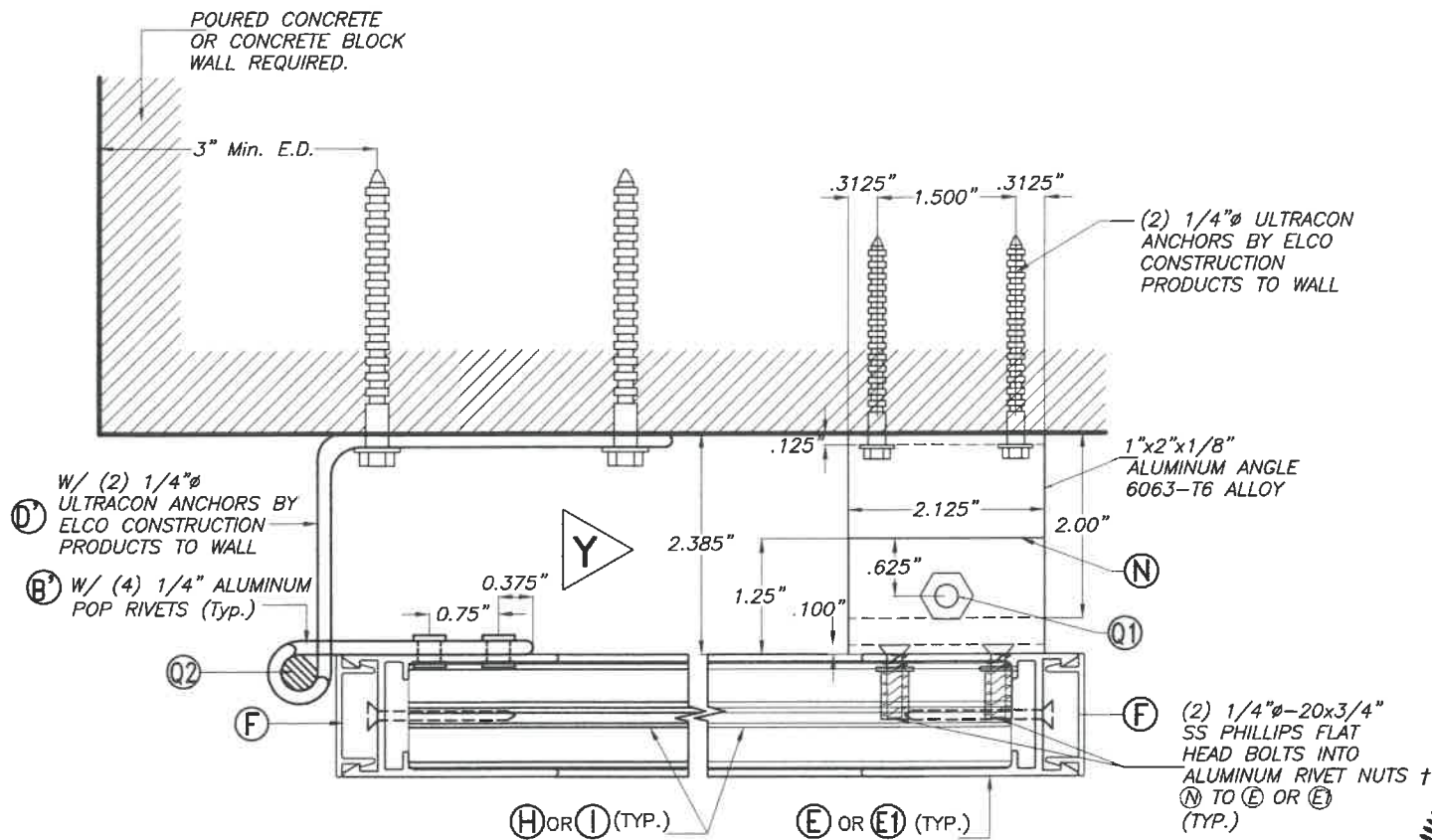
SCALE 1/4"=1"

† 1/4"Ø-20x3/4"
AS DISTRIBUTED BY ALL POINTS SCREW,
BOLT & SPECIALTY CO. (PART # 25CRFNA).



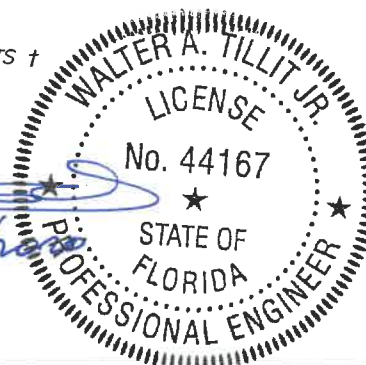
ELEVATION Y-Y

SCALE 1/8"=1"



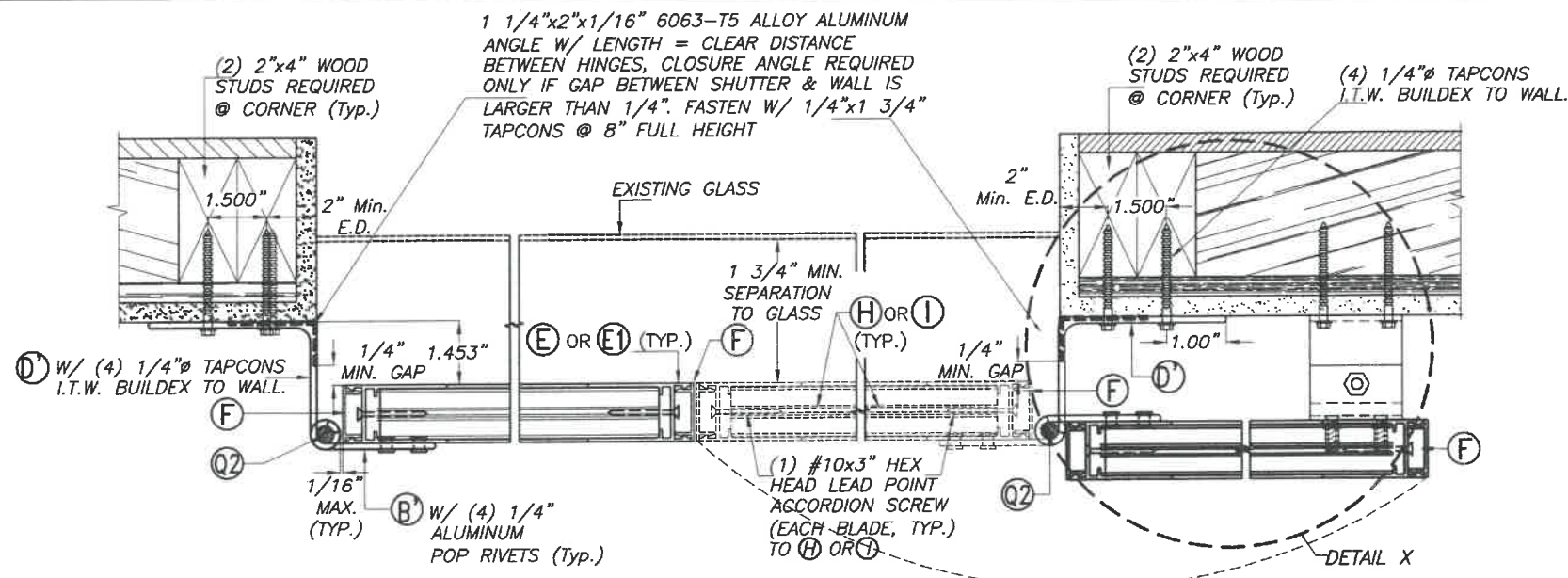
DETAIL X (NON HURRICANE POSITION)

SCALE 1/8"=1"



FLORIDA BUILDING CODE (High Velocity Hurricane Zone)

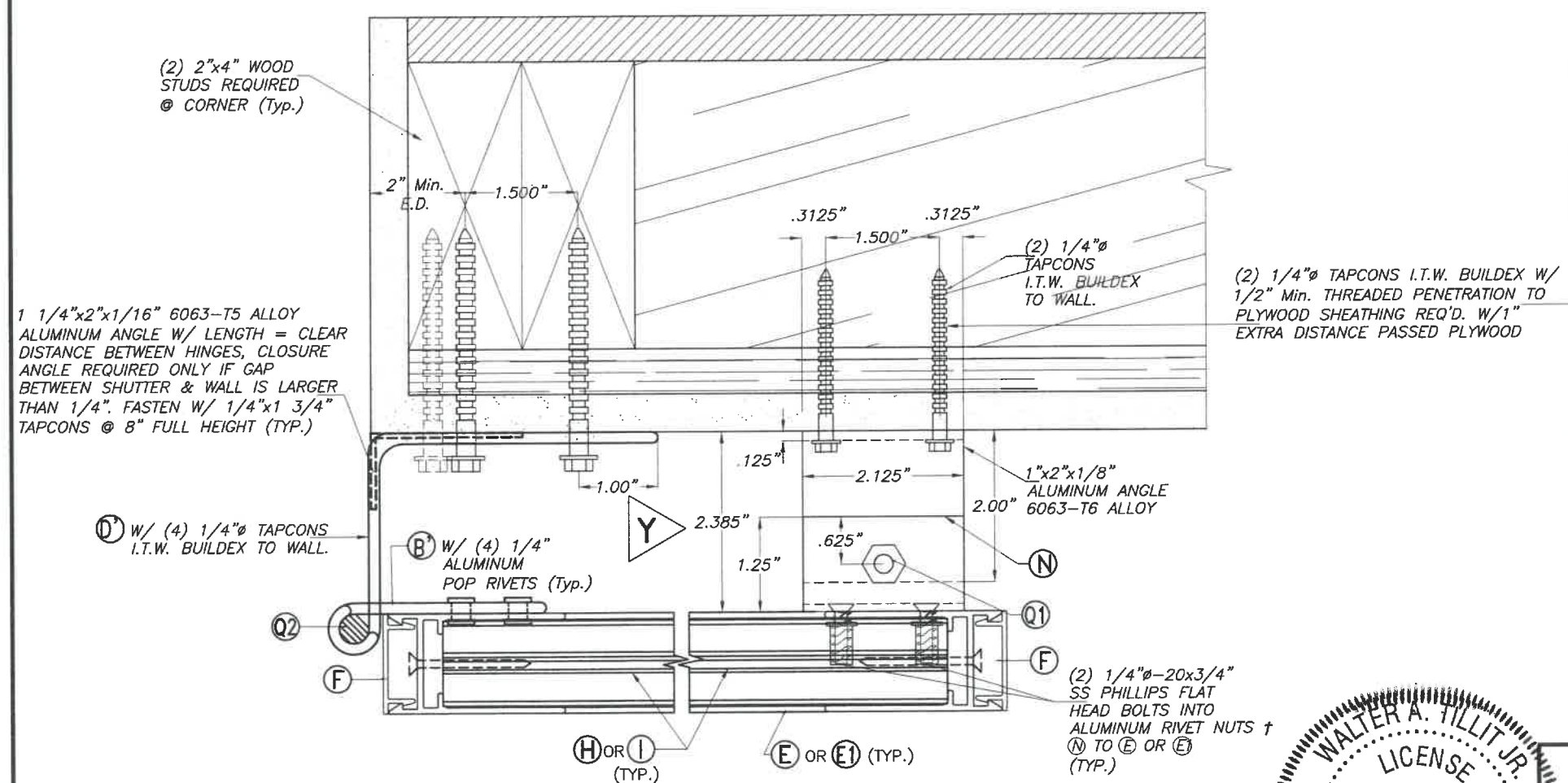
© 2020 TILTECO, INC.		ASSA / BERTHA COLONIAL SHUTTER (WITH STORM BARS)		M.P. DRAWN BY:	
		AMERICAN SHUTTER SYSTEMS ASSOC., INC. 4268 WEST ROADS DRIVE WEST PALM BEACH, FL. 33407 PHONE: (800)432-2204 FAX: (561)209-8380		7/1/2020 DATE:	
				20-162 DRAWING No	
REV. No	DESCRIPTION	DATE	REV. No	DESCRIPTION	DATE
1	OLD 17-105	7/1/2020	3	-	-
2	-	-	4	-	-



TYPICAL PLAN (NON HURRICANE POSITION)

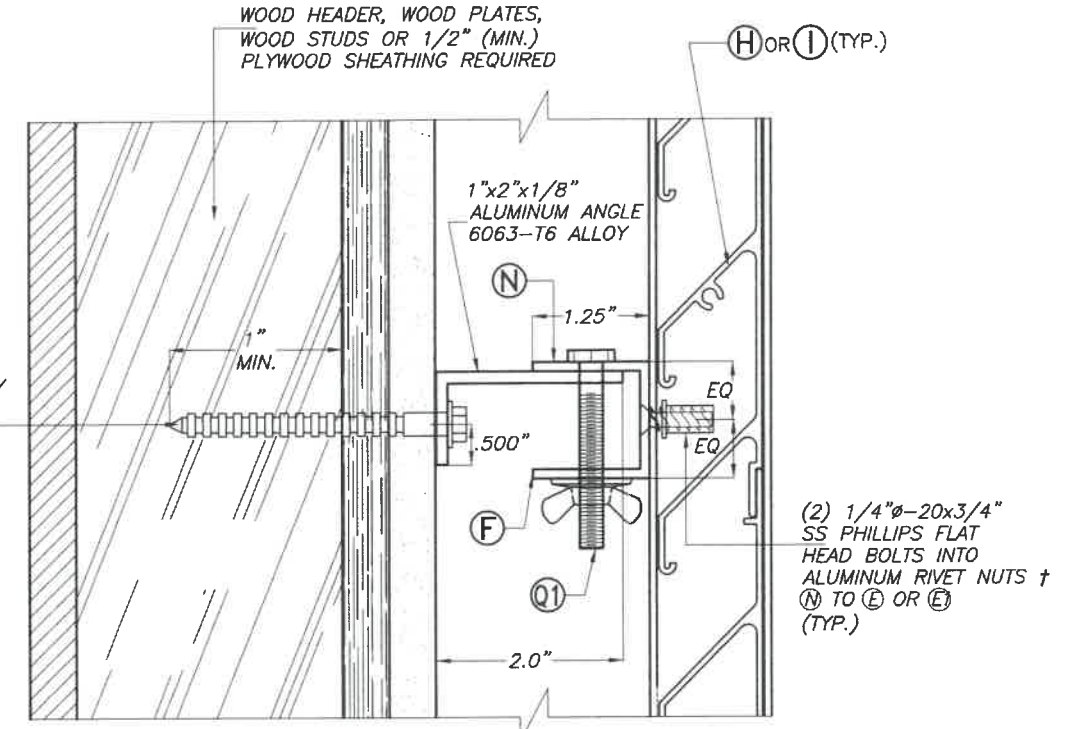
SCALE 1/4"=1"

† 1/4"Ø-20x3/4" AS DISTRIBUTED BY ALL POINTS SCREW, BOLT & SPECIALTY CO. (PART # 25CRFNA).



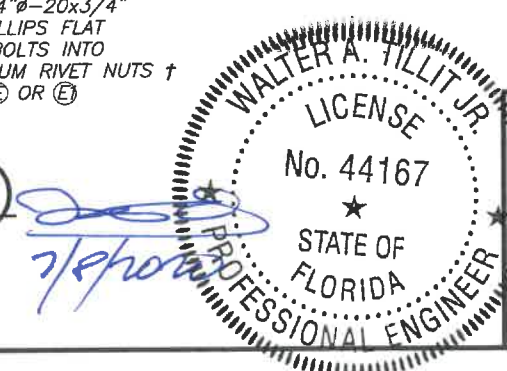
DETAIL X (NON HURRICANE POSITION)

SCALE 1/8"=1"



ELEVATION Y-Y

SCALE 1/8"=1"



© 2020 TILTECO, INC.

TILTECO INC.

TILLIT TESTING & ENGINEERING COMPANY

3055 N.W. 38th St., Ste. 305, VIRGINIA GARDENS, FLORIDA 33166

Phone: (305)871-1530 Fax: (305)871-1531

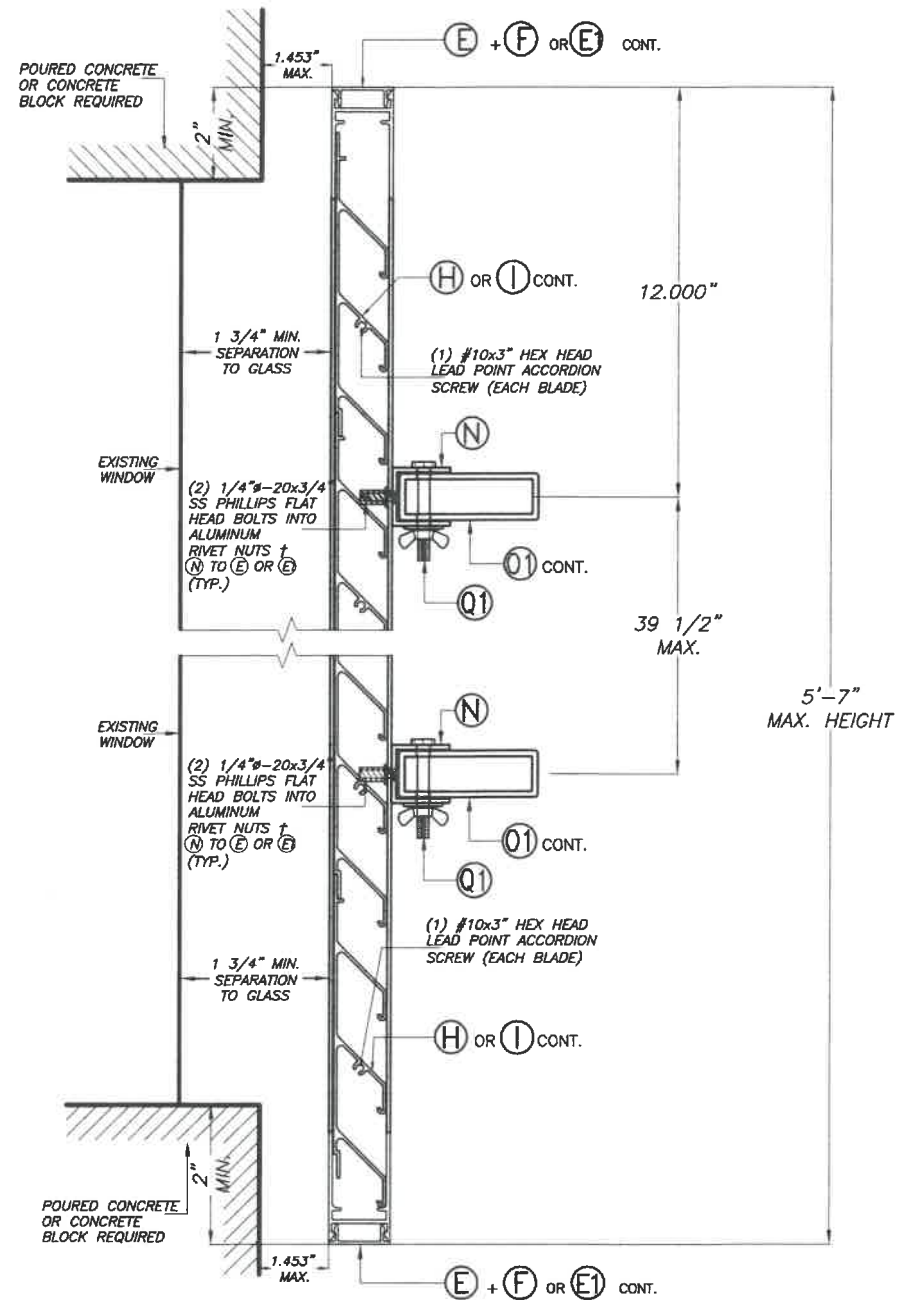
CA-0006719

WALTER A. TILLIT Jr., P.E.

FLORIDA Lic. # 44167

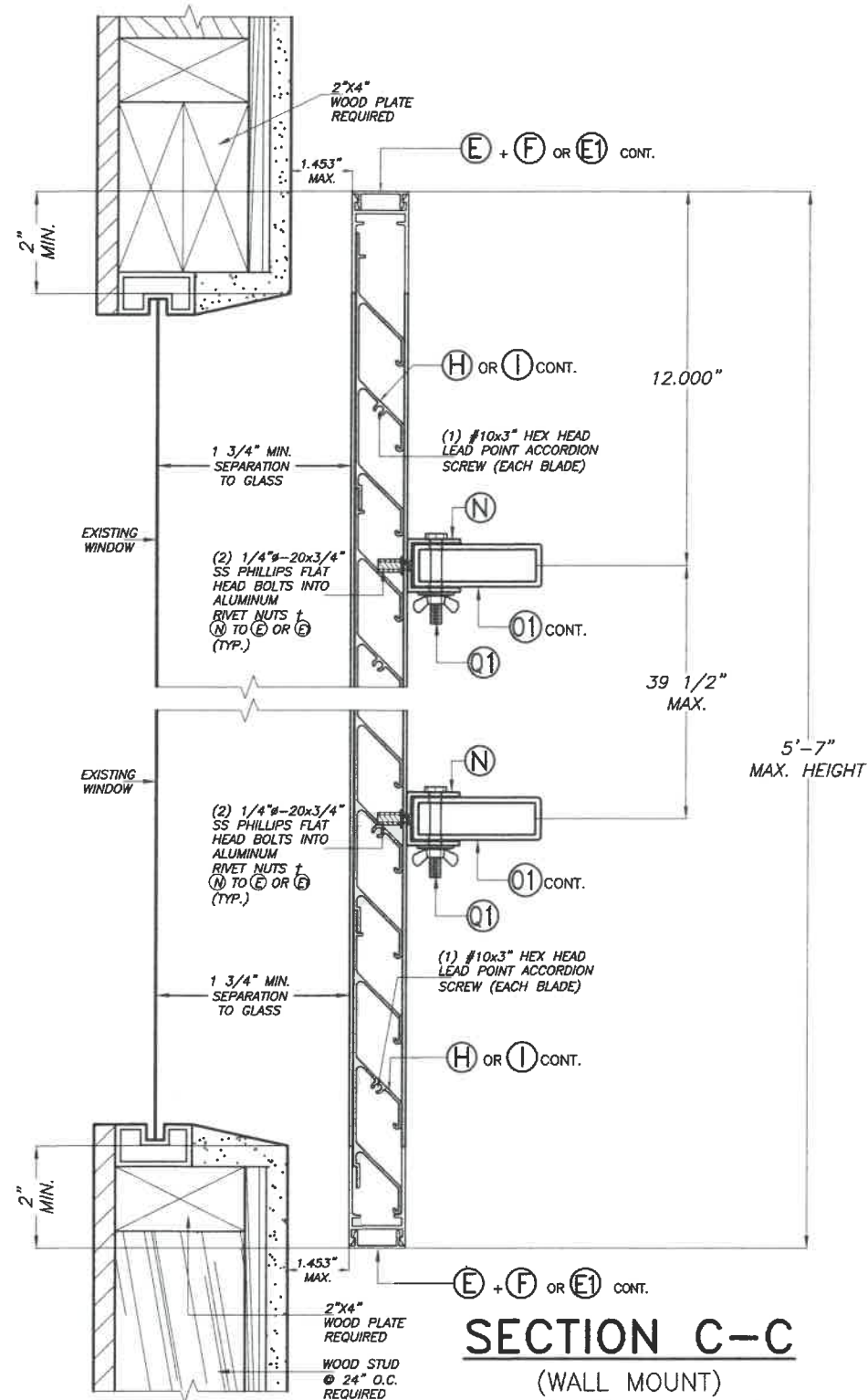
FLORIDA BUILDING CODE (High Velocity Hurricane Zone)

ASSA / BERTHA COLONIAL SHUTTER (WITH STORM BARS)		M.P. DRAWN BY:			
AMERICAN SHUTTER SYSTEMS ASSOC., INC.		7/1/2020 DATE:			
4268 WEST ROADS DRIVE WEST PALM BEACH, FL. 33407		20-162 DRAWING No			
PHONE: (800)432-2204 FAX: (561)209-8380		SHEET 6 OF 14			
REV. No	DESCRIPTION	DATE	REV. No	DESCRIPTION	DATE
1	OLD 17-105	7/1/2020	3	-	-
2	-	-	4	-	-

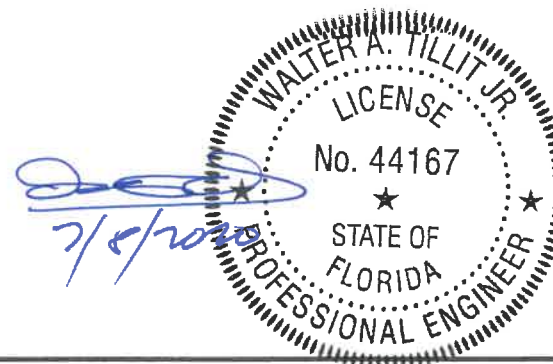


SECTION C-C
(WALL MOUNT)
HURRICANE POSITION
SCALE 1/4"=1"

† 1/4"Ø-20x3/4"
AS DISTRIBUTED BY ALL POINTS SCREW,
BOLT & SPECIALTY CO. (PART #25CRFNA).



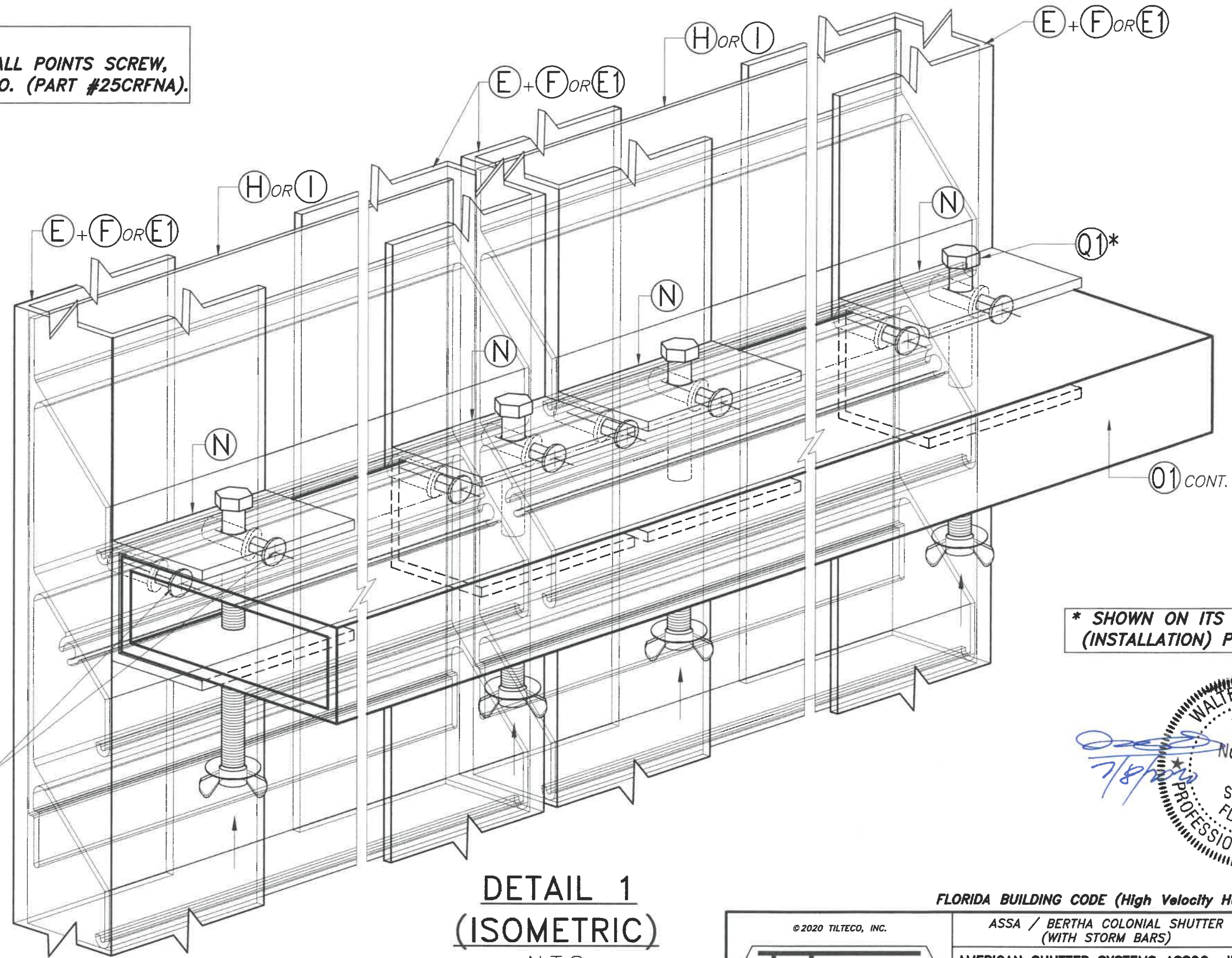
SECTION C-C
(WALL MOUNT)
HURRICANE POSITION
SCALE 1/4"=1"



FLORIDA BUILDING CODE (High Velocity Hurricane Zone)

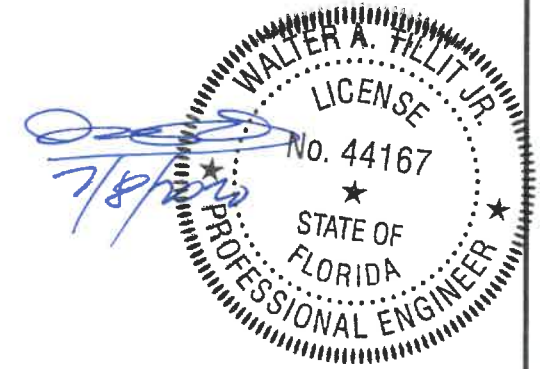
© 2020 TILTECO, INC.		ASSA / BERTHA COLONIAL SHUTTER (WITH STORM BARS)		M.P.	
 TILTECO INC. TILLIT TESTING & ENGINEERING COMPANY 6355 N.W. 36th St., Ste. 325, VIRGINIA GARDENS, FLORIDA 33186 Phone: (305)871-1530 Fax: (305)871-1531 CA-0006719 WALTER A. TILLIT JR., P.E. FLORIDA Lic. # 44167		AMERICAN SHUTTER SYSTEMS ASSOC., INC.		7/1/2020	
		4268 WEST ROADS DRIVE WEST PALM BEACH, FL. 33407 PHONE: (800)432-2204 FAX: (561)209-8380		DATE:	
		20-162		DRAWING No	
REV. No	DESCRIPTION	DATE	REV. No	DESCRIPTION	DATE
1	OLD 17-105	7/1/2020	3	-	-
2	-	-	4	-	-
					SHEET 7 OF 14

† 1/4"φ-20x3/4"
 AS DISTRIBUTED BY ALL POINTS SCREW,
 BOLT & SPECIALTY CO. (PART #25CRFNA).



(2) 1/4"φ-20x3/4"
 SS PHILLIPS FLAT
 HEAD BOLTS INTO
 ALUMINUM
 RIVET NUTS †
 (N) TO (E) OR (E1)
 (TYP.)

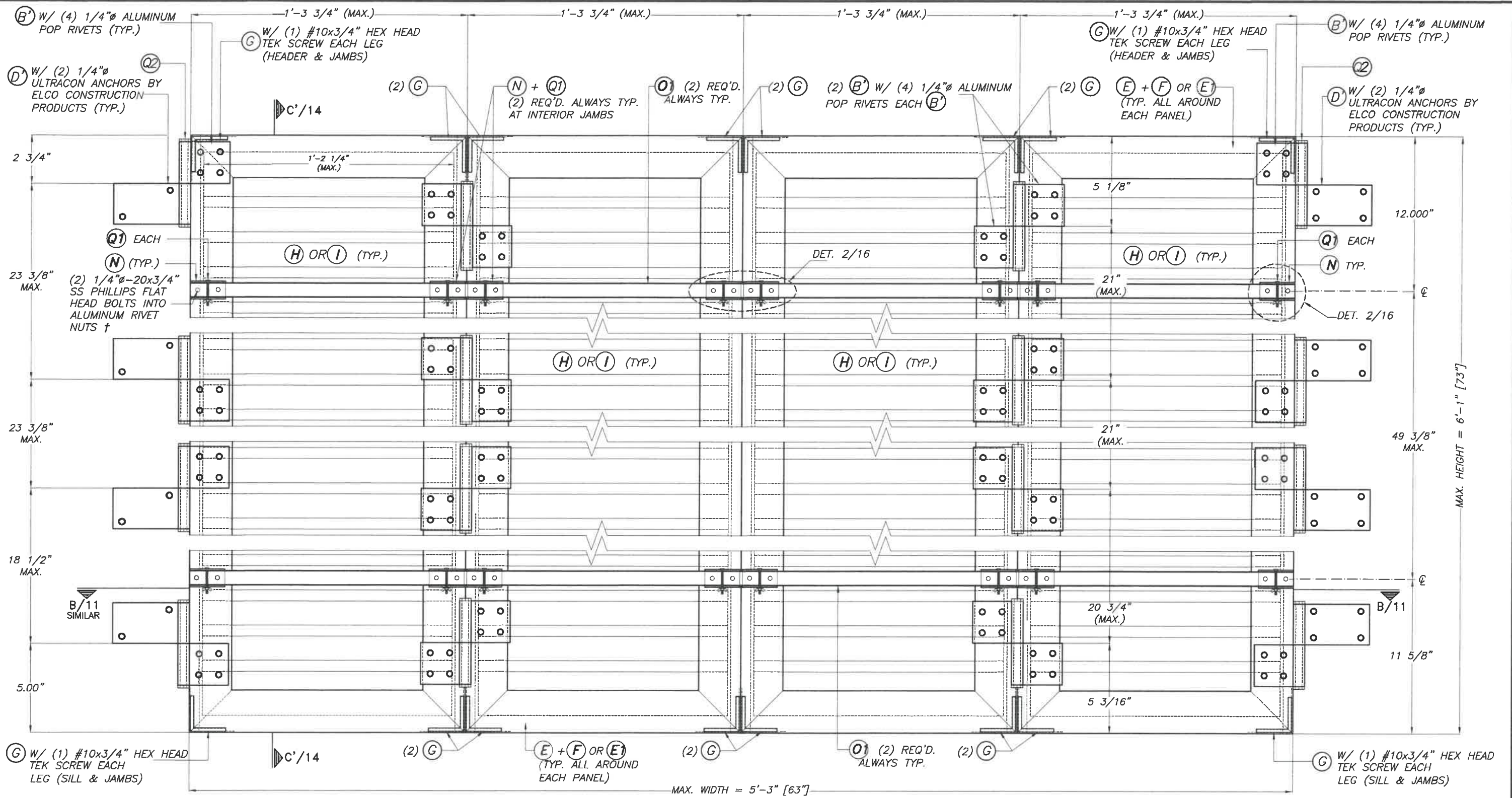
* SHOWN ON ITS DRIVING
 (INSTALLATION) POSITION



DETAIL 1
(ISOMETRIC)
 N.T.S

FLORIDA BUILDING CODE (High Velocity Hurricane Zone)

© 2020 TILTECO, INC. TILLIT TESTING & ENGINEERING COMPANY 6355 N.W. 36th St., Ste. 305, VIRGINIA GARDENS, FLORIDA 33166 Phone: (305)871-1530 Fax: (305)871-1531 CA-0006719 WALTER A. TILLIT Jr., P.E. FLORIDA Lic. # 44167		ASSA / BERTHA COLONIAL SHUTTER (WITH STORM BARS) AMERICAN SHUTTER SYSTEMS ASSOC., INC. 4268 WEST ROADS DRIVE WEST PALM BEACH, FL. 33407 PHONE: (800)432-2204 FAX: (561)209-8380		M.P. DRAWN BY: 7/1/2020 DATE: 20-162 DRAWING No SHEET 8 OF 14	
REV. No	DESCRIPTION	DATE	REV. No	DESCRIPTION	DATE
1	OLD 17-105	7/1/2020	3	-	-
2	-	-	4	-	-

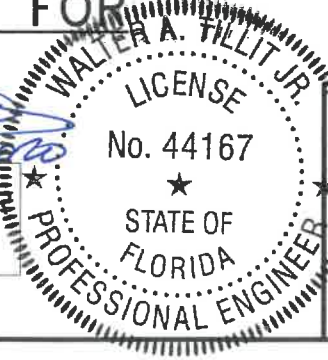


**TYPICAL EXTERIOR ELEV. QUADRUPLE PANEL FOR
(HURRICANE POSITION)**

SCALE: 3/16"=1"

† 1/4"Ø-20x3/4"
AS DISTRIBUTED BY ALL POINTS
SCREW, BOLT & SPECIALTY CO.
(PART # 25CRFNA).

MAXIMUM A.S.D. DESIGN PRESSURE RATING = +51.0, -70.0 p.s.f. FOR
INSTALLATION INTO CONCRETE OR CONCRETE BLOCK WALL SUBSTRATE.



© 2020 TILTECO, INC.

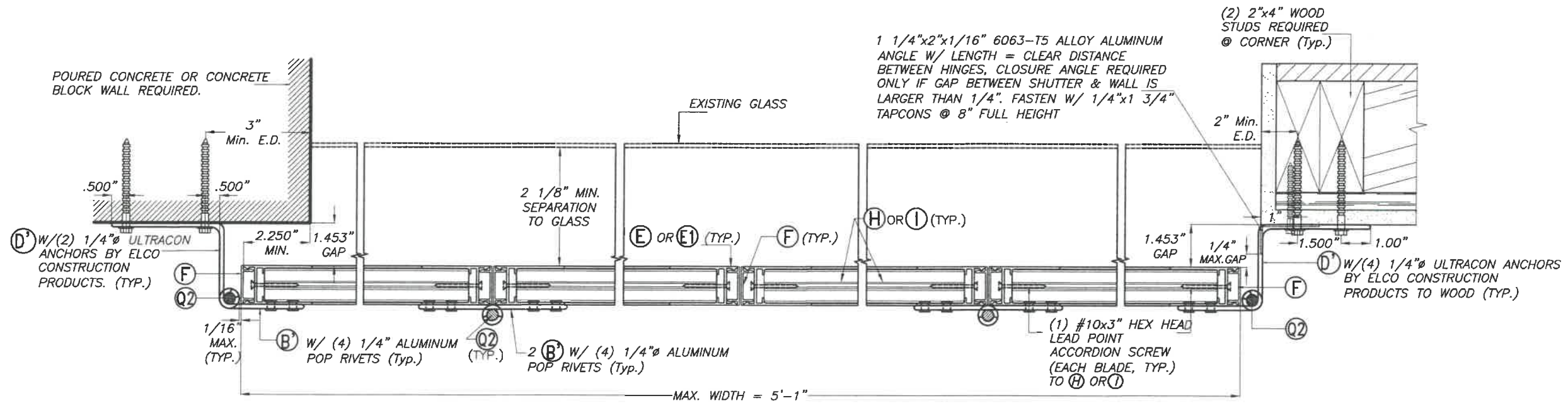
TILTECO INC.

TILLIT TESTING & ENGINEERING COMPANY
555 N.W. 36th St., Ste. 305, VIRGINIA GARDENS, FLORIDA 33166
Phone: (305)871-1530 Fax: (305)871-1531
CA-0006719
WALTER A. TILLIT JR., P.E.
FLORIDA Lic. # 44167

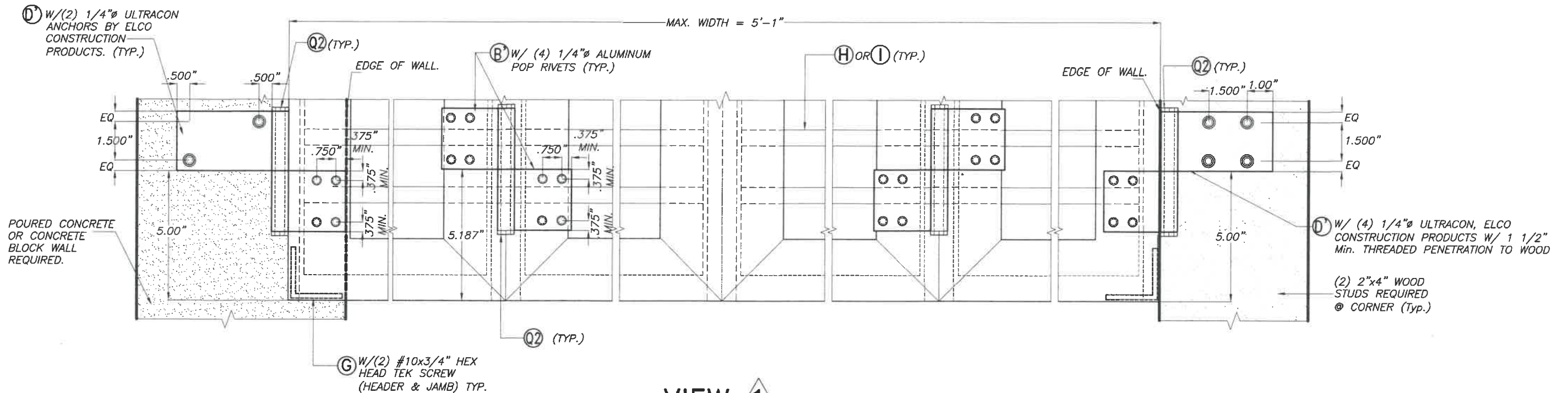
FLORIDA BUILDING CODE (High Velocity Hurricane Zone)

ASSA / BERTHA COLONIAL SHUTTER (WITH STORM BARS)		M.P. DRAWN BY:			
AMERICAN SHUTTER SYSTEMS ASSOC., INC.		7/1/2020 DATE:			
4268 WEST ROADS DRIVE WEST PALM BEACH, FL. 33407 PHONE: (800)432-2204 FAX: (561)209-8380		20-162 DRAWING No			
REV. No	DESCRIPTION	DATE	REV. No	DESCRIPTION	DATE
1	OLD 17-105	7/1/2020	3	-	-
2	-	-	4	-	-

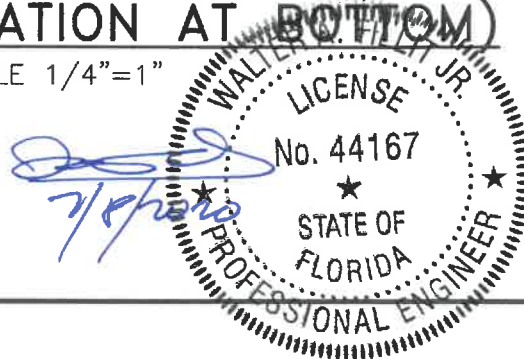
SHEET 9 OF 14



SECTION B-B
SCALE 1/4"=1"

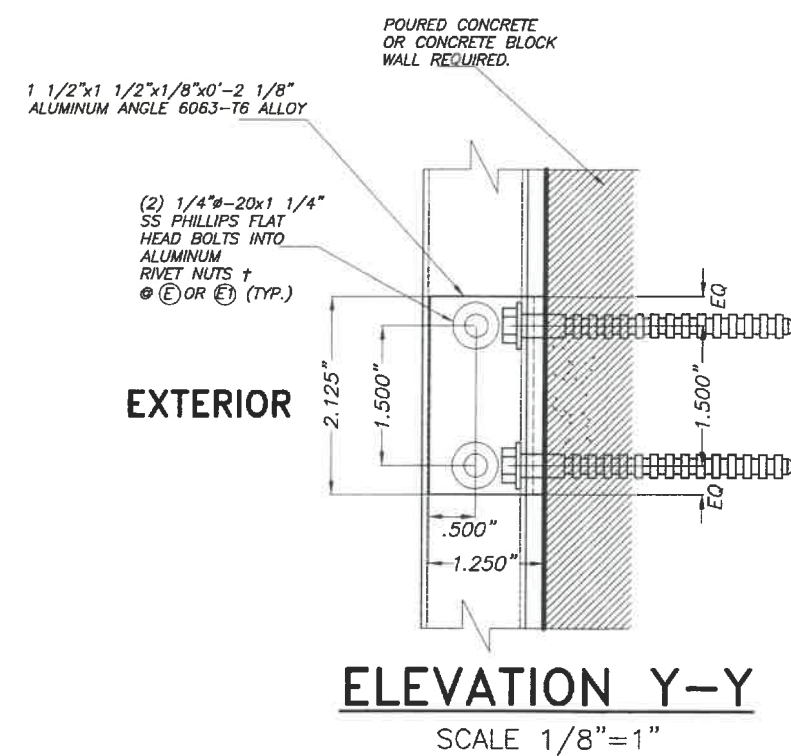
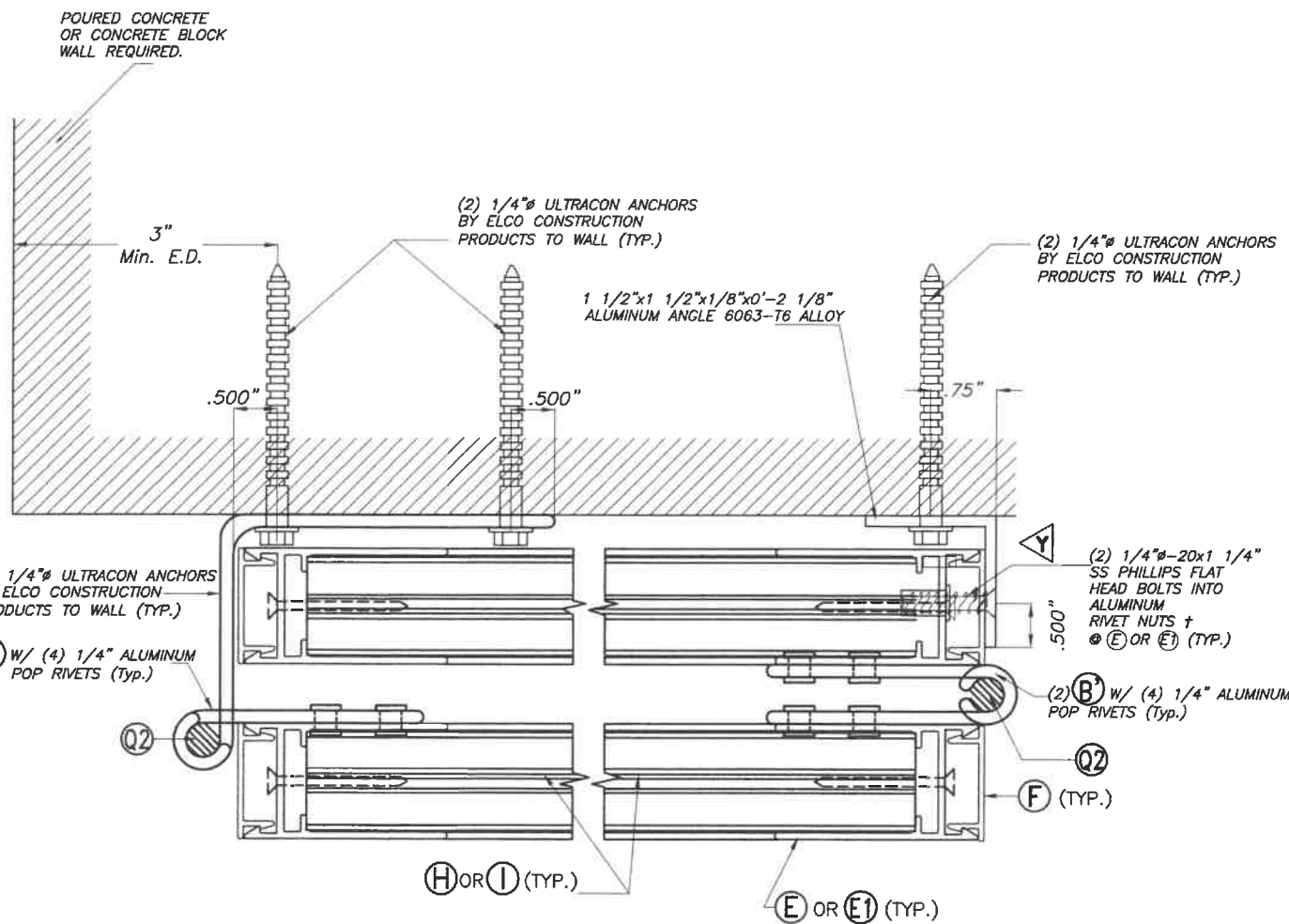
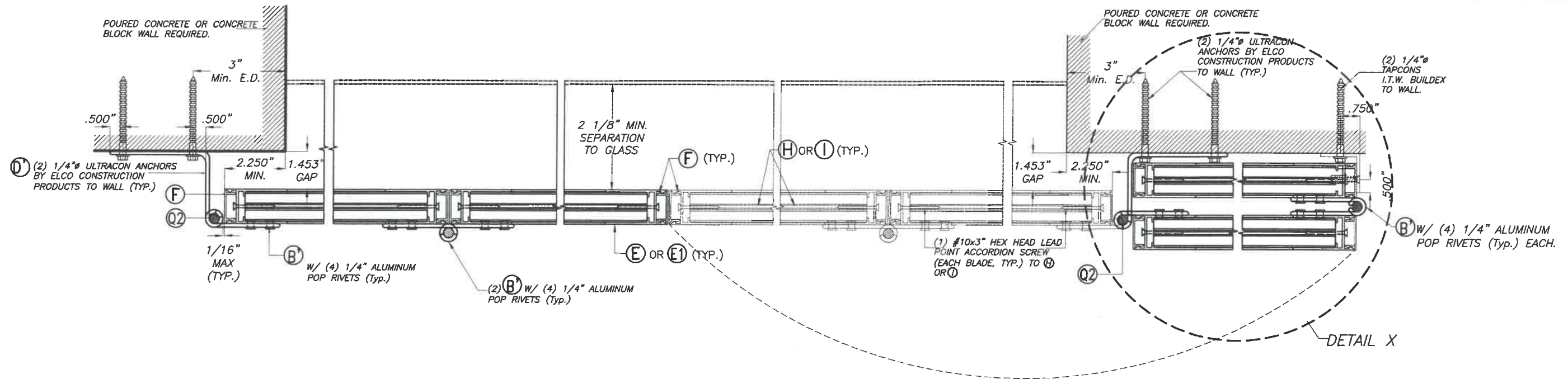


VIEW 1
(PARTIAL ELEVATION AT BOTTOM)
SCALE 1/4"=1"



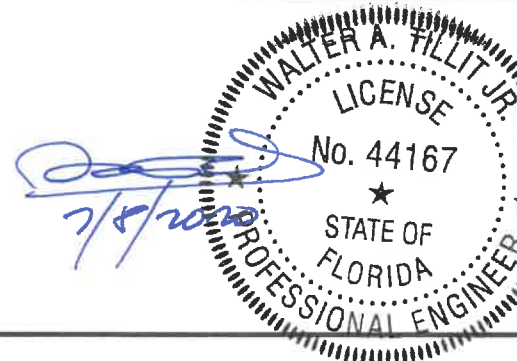
FLORIDA BUILDING CODE (High Velocity Hurricane Zone)

<p>© 2020 TILTECO, INC.</p> <p>TILTECO INC.</p> <p>TILLIT TESTING & ENGINEERING COMPANY 6355 N.W. 36th St., Ste. 305, VIRGINIA GARDENS, FLORIDA 33166 Phone: (305)871-1530 Fax: (305)871-1531 CA-0006719 WALTER A. TILLIT Jr., P.E. FLORIDA Lic. # 44167</p>		<p>ASSA / BERTHA COLONIAL SHUTTER (WITH STORM BARS)</p> <p>AMERICAN SHUTTER SYSTEMS ASSOC., INC. 4268 WEST ROADS DRIVE WEST PALM BEACH, FL 33407 PHONE: (800)432-2204 FAX: (561)209-8380</p>		<p>M.P. DRAWN BY:</p>	
				<p>7/1/2020 DATE:</p>	
				<p>20-162 DRAWING No</p>	
REV. No	DESCRIPTION	DATE	REV. No	DESCRIPTION	DATE
1	OLD 17-105	7/1/2020	3	-	-
2	-	-	4	-	-



† 1/4"Ø-20x3/4" AS DISTRIBUTED BY ALL POINTS SCREW, BOLT & SPECIALTY CO. (PART # 25CRFNA).

DETAIL X (NON HURRICANE POSITION)
SCALE 1/8"=1"



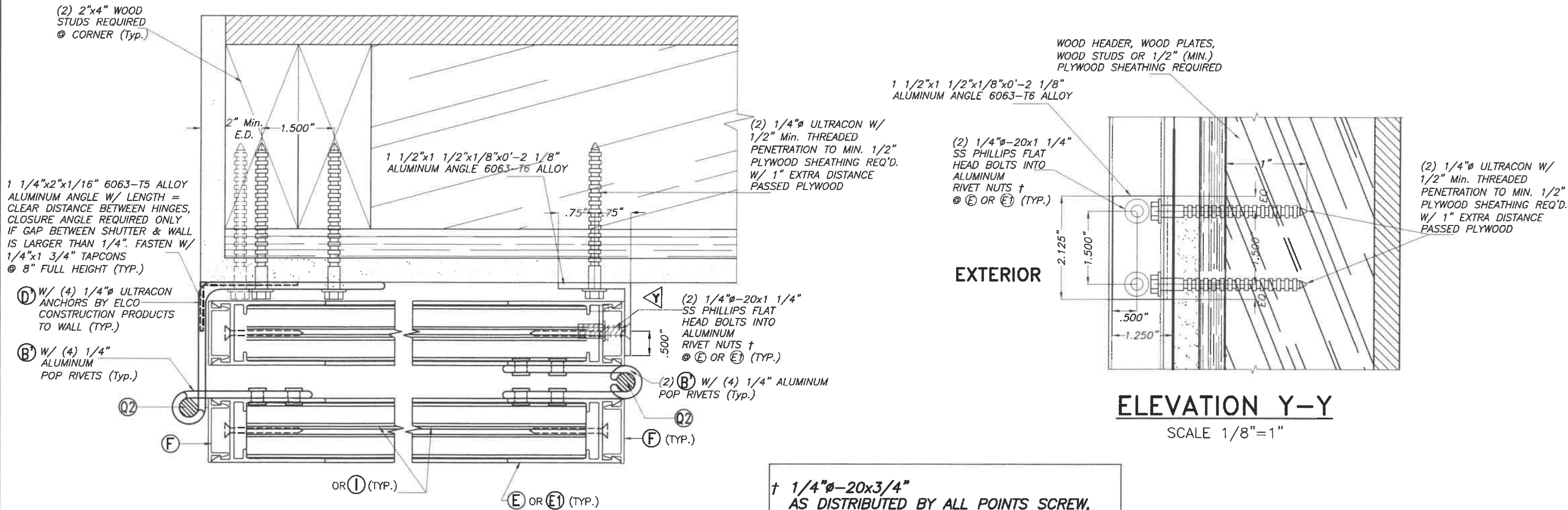
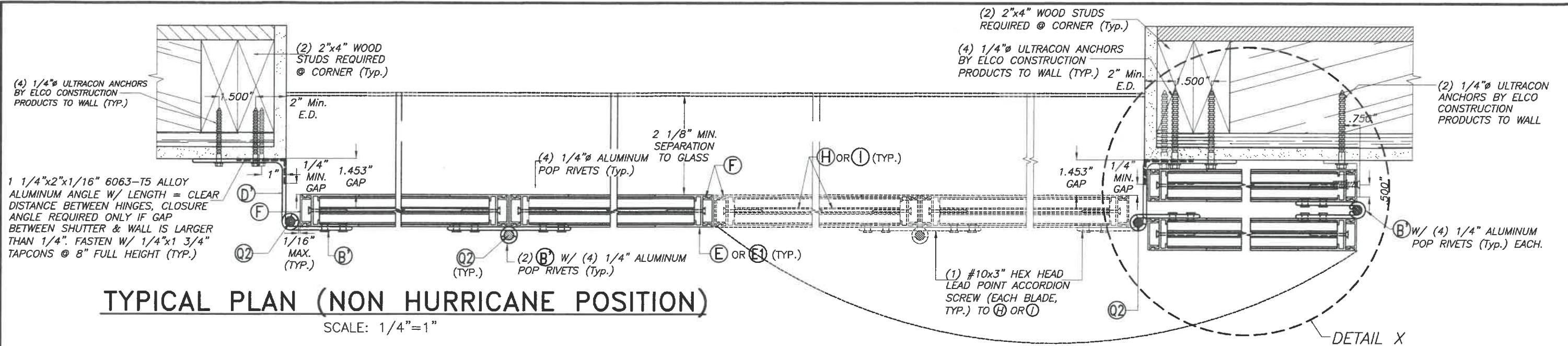
© 2020 TILTECO, INC.

TILTECO INC.

TILLIT TESTING & ENGINEERING COMPANY
 305 N.W. 36th St., Ste. 305, VIRGINIA GARDENS, FLORIDA 33166
 Phone: (305)871-1530 Fax: (305)871-1531
 CA-0006719
 WALTER A. TILLIT JR., P.E.
 FLORIDA Lic. # 44167

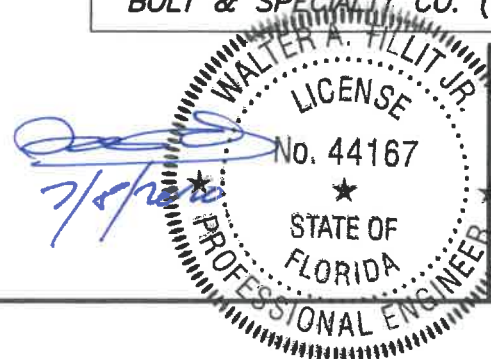
FLORIDA BUILDING CODE (High Velocity Hurricane Zone)

ASSA / BERTHA COLONIAL SHUTTER (WITH STORM BARS)		M.P. DRAWN BY:
AMERICAN SHUTTER SYSTEMS ASSOC., INC.		7/1/2020 DATE:
426B WEST ROADS DRIVE WEST PALM BEACH, FL. 33407 PHONE: (800)432-2204 FAX: (561)209-8380		20-162 DRAWING No
REV. No	DESCRIPTION	DATE
1	OLD 17-105	7/1/2020
2		



DETAIL X (NON HURRICANE POSITION)

SCALE 1/8"=1"



© 2020 TILTECO, INC.

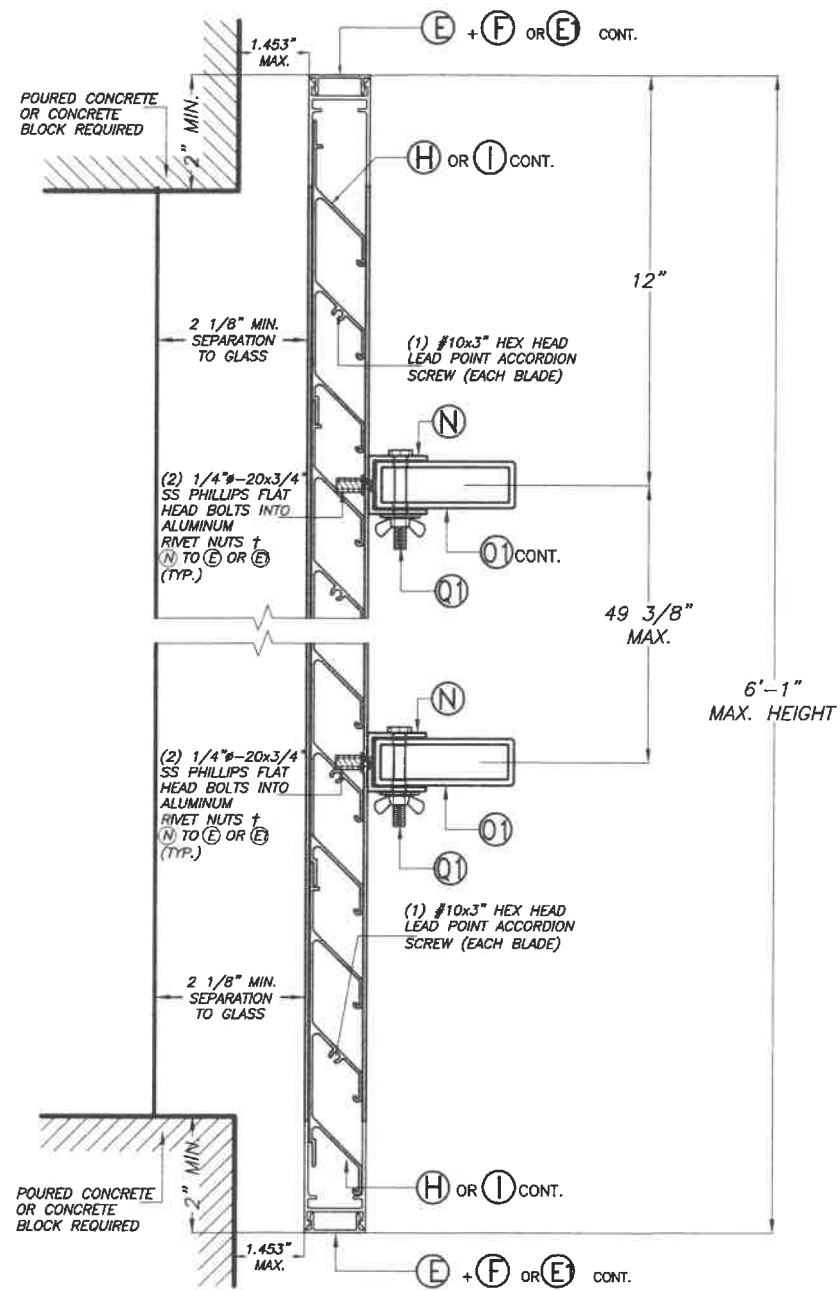
TILTECO INC.

TILIT TESTING & ENGINEERING COMPANY
6325 N.W. 36th St., Ste. 305, VIRGINIA GARDENS, FLORIDA 33168
Phone: (305)871-1530 Fax: (305)871-1531
CA-0006719
WALTER A. TILLIT JR., P.E.
FLORIDA Lic. # 44167

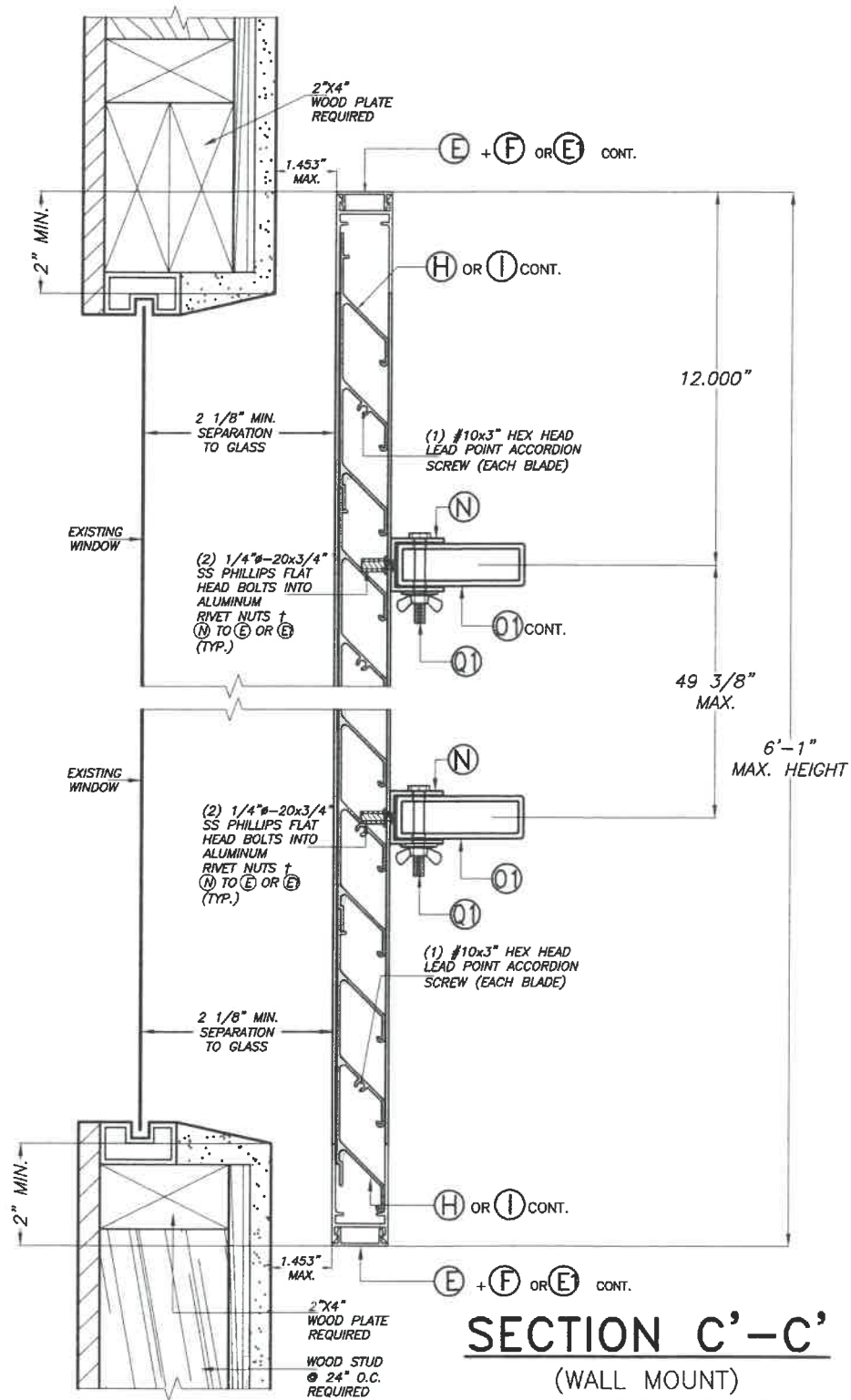
FLORIDA BUILDING CODE (High Velocity Hurricane Zone)

ASSA / BERTHA COLONIAL SHUTTER (WITH STORM BARS)		M.P. DRAWN BY:			
AMERICAN SHUTTER SYSTEMS ASSOC., INC.		7/1/2020 DATE:			
4268 WEST ROADS DRIVE WEST PALM BEACH, FL. 33407 PHONE: (800)432-2204 FAX: (561)209-8380		20-162 DRAWING No			
REV. No	DESCRIPTION	DATE	REV. No	DESCRIPTION	DATE
1	OLD 17-105	7/1/2020	3	-	-
2	-	-	4	-	-

SHEET 12 OF 14

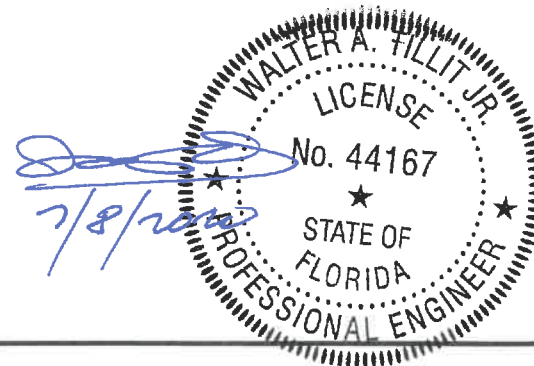


SECTION C'-C'
(WALL MOUNT)
HURRICANE POSITION
SCALE 1/4"=1"



SECTION C'-C'
(WALL MOUNT)
HURRICANE POSITION
SCALE 1/4"=1"

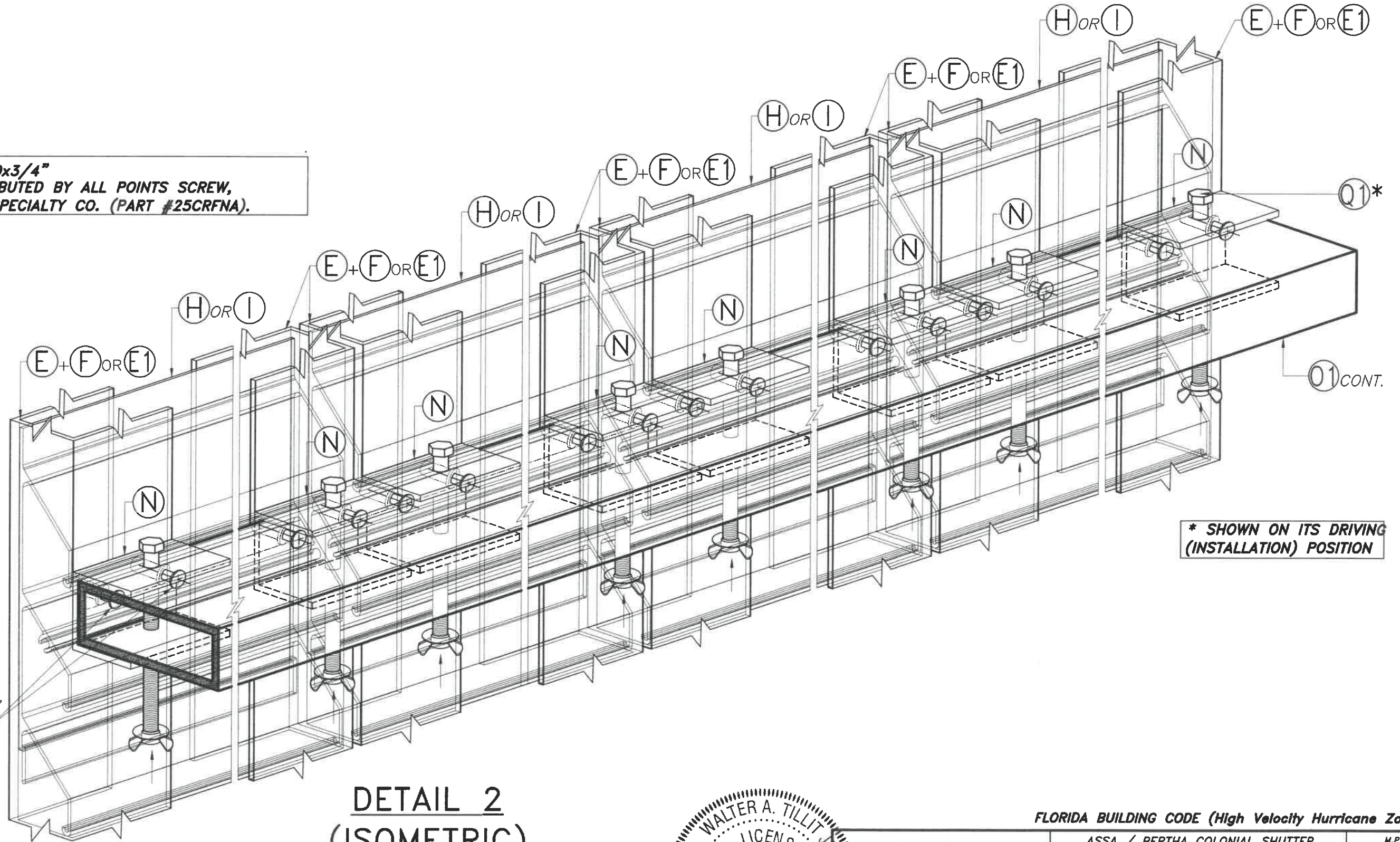
† 1/4"Ø-20x3/4"
AS DISTRIBUTED BY ALL POINTS SCREW,
BOLT & SPECIALTY CO. (PART #25CRFNA).



FLORIDA BUILDING CODE (High Velocity Hurricane Zone)

© 2020 TILTECO, INC.		ASSA / BERTHA COLONIAL SHUTTER (WITH STORM BARS)		M.P. DRAWN BY:	
 TILTECO INC. TILLIT TESTING & ENGINEERING COMPANY 6355 N.W. 38th. St., Ste. 305, VIRGINIA GARDENS, FLORIDA 33188 Phone : (305)871-1530 • Fax : (305)871-1531 CA-0006719 WALTER A. TILLIT JR., P.E. FLORIDA Lic. # 44167		AMERICAN SHUTTER SYSTEMS ASSOC., INC.		7/1/2020 DATE:	
		4268 WEST ROADS DRIVE WEST PALM BEACH, FL. 33407 PHONE: (800)432-2204 FAX: (561)209-8380		20-162 DRAWING No	
REV. No	DESCRIPTION	DATE	REV. No	DESCRIPTION	DATE
1	OLD 17-105	7/1/2020	3	-	-
2	-	-	4	-	-

† 1/4"Ø-20x3/4"
 AS DISTRIBUTED BY ALL POINTS SCREW,
 BOLT & SPECIALTY CO. (PART #25CRFNA).



* SHOWN ON ITS DRIVING
 (INSTALLATION) POSITION

DETAIL 2
(ISOMETRIC)
 N.T.S

WALTER A. TILLIT JR.
 LICENSE
 No. 44167
 STATE OF
 FLORIDA
 PROFESSIONAL ENGINEER

WAT
 7/1/2020

© 2020 TILTECO, INC.
TILTECO INC.
 TILIT TESTING & ENGINEERING COMPANY
 6352 N.W. 36th St., Ste. 305, VIRGINIA GARDENS, FLORIDA 33166
 Phone: (305)871-1530 Fax: (305)871-1531
 CA-0006719
 WALTER A. TILLIT Jr., P.E.
 FLORIDA Lic. # 44167

FLORIDA BUILDING CODE (High Velocity Hurricane Zone)

ASSA / BERTHA COLONIAL SHUTTER (WITH STORM BARS)		M.P. DRAWN BY:			
AMERICAN SHUTTER SYSTEMS ASSOC., INC. 4268 WEST ROADS DRIVE WEST PALM BEACH, FL. 33407 PHONE: (800)432-2204 FAX: (561)209-8380		7/1/2020 DATE:			
		20-162 DRAWING No			
REV. No	DESCRIPTION	DATE	REV. No	DESCRIPTION	DATE
1	OLD 17-105	7/1/2020	3	-	-
2	-	-	4	-	-