

PROGRESSIVE SCREENS

MAGNATRACK HURRICANE SYSTEM

FABRIC ROLL SHUTTER

LARGE MISSILE IMPACT RATED (HVHZ)

GENERAL NOTES:

- THE PRODUCT SHOWN HEREIN IS DESIGNED AND MANUFACTURED TO COMPLY WITH THE CURRENT FLORIDA BUILDING CODE (FBC), INCLUDING HVHZ AND HAS BEEN EVALUATED ACCORDING TO THE FOLLOWING:
 - TAS 201-94
 - TAS 202-94
 - TAS 203-94
 - ASTM E330-14
 - ASTM E1886-13
 - ASTM E1996-14
- ADEQUACY OF THE EXISTING STRUCTURAL CONCRETE/MASONRY AND 2X STUD FRAMING AS A MAIN WIND FORCE RESISTING SYSTEM CAPABLE OF WITHSTANDING AND TRANSFERRING APPLIED PRODUCT LOADS TO THE FOUNDATION IS THE RESPONSIBILITY OF THE ENGINEER OR ARCHITECT OF RECORD FOR THE PROJECT OF INSTALLATION.
- 2X BUCKS (WHEN USED) SHALL BE DESIGNED AND ANCHORED TO PROPERLY TRANSFER ALL LOADS TO THE STRUCTURE. BUCK DESIGN AND INSTALLATION IS THE RESPONSIBILITY OF THE ENGINEER OR ARCHITECT OF RECORD FOR THE PROJECT OF INSTALLATION.
- THE INSTALLATION DETAILS DESCRIBED HEREIN ARE GENERIC AND MAY NOT REFLECT ACTUAL CONDITIONS FOR A SPECIFIC SITE. IF SITE CONDITIONS CAUSE INSTALLATION TO DEVIATE FROM THE REQUIREMENTS DETAILED HEREIN, A LICENSED ENGINEER OR ARCHITECT SHALL PREPARE SITE SPECIFIC DOCUMENTS FOR USE WITH THIS DOCUMENT.
- INSTALLATION OF ROLL DOWN MAY EITHER BE INSIDE OR OUTSIDE OF THE TIE BEAM.
- ALL EXTRUSION MATERIAL: 6063-T6 ALUMINUM ALLOY, UNLESS OTHERWISE NOTED.
- DESIGN AND OPERATION OF ROLL UP MECHANISM IS NOT PART OF THIS APPROVAL, MANUFACTURER SPECIFICATIONS SHOULD BE FOLLOWED. CARE SHOULD BE TAKEN WHEN SHUTTER IS IN MOTION ENSURING THAT PERSONAL INJURY OR DAMAGE TO THIS PRODUCT DOES NOT OCCUR.
- FOR DESIGN PRESSURES SEE SHEET 2. SEE SHEETS 14, 16 AND 17 FOR DESIGN PRESSURES BASED ON MULLIONS.
- HOOD ASSEMBLY IS IMPACT RATED AND CAN BE PLACED INSIDE FRAME OPENING AS AN EXPOSED FEATURE.
- SHUTTER MANUFACTURER LABEL SHALL BE LOCATED IN A READILY VISIBLE LOCATION, PER FBC CHAPTER 17.

INSTALLATION NOTES:

- ONE (1) INSTALLATION ANCHOR IS REQUIRED AT EACH ANCHOR LOCATION SHOWN, UNLESS OTHERWISE STATED.
- THE NUMBER OF INSTALLATION ANCHORS DEPICTED IS THE MINIMUM NUMBER OF ANCHORS TO BE USED FOR PRODUCT INSTALLATION.
- INSTALL INDIVIDUAL INSTALLATION ANCHORS WITHIN A TOLERANCE OF ±1/2 INCH OF THE DEPICTED LOCATION IN THE ANCHOR LAYOUT DETAIL (I.E., WITHOUT CONSIDERATION OF TOLERANCES). TOLERANCES ARE NOT CUMULATIVE FROM ONE INSTALLATION ANCHOR TO THE NEXT.
- REFER TO ANCHOR SCHEDULE CHARTS ON SHEETS 7, 8, 10, 13, 17, AND 20 FOR ANCHOR TYPE, SUBSTRATE TYPE, EDGE DISTANCE AND MINIMUM EMBEDMENT.
- MINIMUM EMBEDMENT AND EDGE DISTANCE EXCLUDE WALL FINISHES, INCLUDING BUT NOT LIMITED TO STUCCO, FOAM, BRICK VENEER, AND SIDING.
- ASSEMBLY FASTENERS SHALL BE COATED WITH AN HV COATING SYSTEM AS MANUFACTURED BY AN APPROVED COATING APPLICATOR REGISTERED WITH THE AMERICAN SHUTTER SYSTEMS ASSOCIATION.
- EDGE DISTANCE IS MEASURED FROM FREE EDGE OF BLOCK OR EDGE OF MORTAR JOINT INTO FACE SHELL OF BLOCK.
- INSTALLATION ANCHORS SHALL BE INSTALLED IN ACCORDANCE WITH ANCHOR MANUFACTURER'S INSTALLATION INSTRUCTIONS, AND ANCHORS SHALL NOT BE USED IN SUBSTRATES WITH STRENGTHS LESS THAN THE MINIMUM STRENGTH SPECIFIED BY THE ANCHOR MANUFACTURER.
- INSTALLATION ANCHOR CAPACITIES FOR PRODUCTS HEREIN ARE BASED ON SUBSTRATE MATERIALS WITH THE FOLLOWING PROPERTIES:
 - WOOD - MINIMUM SPECIFIC GRAVITY OF 0.55.
 - CONCRETE -MINIMUM COMPRESSIVE STRENGTH OF 3000 PSI. SEE ANCHOR SCHEDULES, SHEETS 5, 6, 8, 13 AND 16 FOR ADDITIONAL REQUIREMENTS.
 - GROUT FILLED MASONRY - STRENGTH CONFORMANCE TO ASTM C-90, MIN 2000 PSI.
 - STEEL - MINIMUM A36, 3/16" THICKNESS
 - ALUMINUM - MINIMUM 6063-T6 1/4" THICKNESS.

TABLE OF CONTENTS

SHEET	SHEET DESCRIPTION
1	INSTALLATION & GENERAL NOTES
2	ELEVATIONS & DESIGN PRESSURES
3	TYPICAL SINGLE UNIT HORIZONTAL SECTIONS
4	TYPICAL SINGLE UNIT HORIZONTAL SECTIONS
5	MULTIPLE UNITS - HORIZONTAL SECTIONS
6	TYP. VERTICAL SECTIONS
7	WALL MOUNT HORIZONTAL SECTIONS/ANCHOR SCHEDULE
8	BUILD OUT HORIZONTAL SECTIONS/ANCHOR SCHEDULE
9	WALL MOUNT & BUILD OUT ANCHOR SCHEDULE / SPACING
10	INSET MOUNT HORIZONTAL SECTION - ANCHOR SCHEDULE
11	INSET MOUNT - ANCHOR SCHEDULE
12	INSET MOUNT - ANCHOR SCHEDULE
13	RECESSED MOUNT HORIZONTAL SECTION - ANCHOR SCHEDULE
14	RECESSED MOUNT - ANCHOR SCHEDULE
15	RECESSED MOUNT - ANCHOR SCHEDULE
16	EQUALLY SPACED MULLIONS
17	EQUALLY SPACED MULLION ANCHORS
18	END MULLIONS
19	CORNER MULLIONS
20	END MULL/ CORNER MULLION CONNECTIONS
21	4" TUBE & 5.5" HOOD DETAILS
22	4" TUBE & 6" EXTRUDED HOOD DETAILS
23	5.5" TUBE & 7.5" EXTRUDED HOOD DETAILS
24	6" TUBE & 12" HOOD DETAILS
25	6.5" TUBE & 7.5" EXTRUDED HOOD DETAILS
26	CONSTRUCTION NOTES AND HOOD ASSEMBLY
27	BILL OF MATERIALS & COMPONENTS
28	HOOD OPTIONS
29	HOOD OPTIONS (CONT.)

PREPARED BY:



BUILDING DROPS, INC.
 398 E. DANIA BEACH BLVD., STE. 338
 DANIA BEACH, FL 33004
 PH: (954)399-8478
 FAX: (954)744.4738
 WEB: www.buildingdrops.com

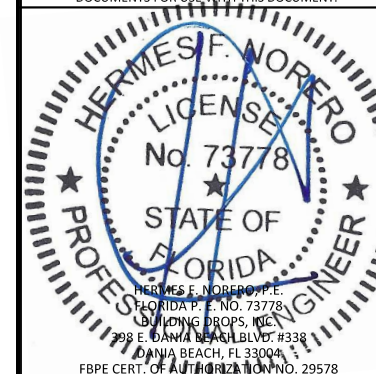
MAGNATRACK HURRICANE SYSTEM
 GENERAL & INSTALLATION NOTES



5350 PINKNEY AVE,
 SARASOTA, FLORIDA 34233
 PH: 866-802-0400

TITLE:	REMARKS	BY	DATE
MAGNATRACK HURRICANE SYSTEM GENERAL & INSTALLATION NOTES	NEW TESTING UPDATE	SM	12/9/20

THE INSTALLATION DETAILS DESCRIBED HEREIN ARE GENERIC AND MAY NOT REFLECT ACTUAL CONDITIONS FOR A SPECIFIC SITE. IF SITE CONDITIONS CAUSE INSTALLATION TO DEVIATE FROM THE REQUIREMENTS DETAILED HEREIN, A LICENSED ENGINEER OR ARCHITECT SHALL PREPARE SITE SPECIFIC DOCUMENTS FOR USE WITH THIS DOCUMENT.



FL30798

DATE:	10.15.19
DWG. BY:	SM/AR
CHK. BY:	HFN
SCALE:	NTS
DWG. #:	PRG003
SHEET:	1 OF 29

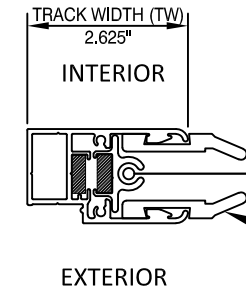
1

DESIGN PRESSURE RATINGS

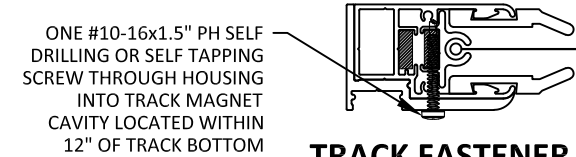
FRAME WIDTH	POSITIVE	NEGATIVE
360.0	35.0	35.0
320.0	40.0	40.0
300.0	45.0	45.0
264.0	50.0	50.0
240.0	60.0	60.0
216.0	66.7	66.7
192.0	85.0	85.0
168.0	110.0	110.0
144.0	130.0	130.0
132.0	140.0	140.0
120.0	155.0	155.0
108.0	165.0	165.0
96.0	175.0	175.0
84.0	185.0	185.0
72.0	200.0	200.0

LOAD (PSF)	FRAME WIDTH (IN)														
	72	84	96	108	120	132	144	168	192	216	240	264	300	320	360
35	3.25	3.75	4.25	5.00	5.50	6.25	7.25	9.50	13.00	19.00	22.00	25.50	32.75	38.25	45.50
40	3.75	4.25	4.75	5.50	6.25	7.00	8.25	10.75	14.75	21.50	25.00	29.00	37.25	43.50	-
45	4.00	4.75	5.25	6.00	7.00	8.00	9.00	12.00	16.50	24.00	28.00	32.50	42.00	-	-
50	4.50	5.00	5.75	6.50	7.50	8.75	10.00	13.25	18.25	26.75	31.00	36.00	-	-	-
60	5.00	6.00	6.75	7.75	9.00	10.25	11.75	15.75	21.75	31.75	37.00	-	-	-	-
66.7	5.50	6.50	7.50	8.50	9.75	11.25	13.00	17.50	24.25	35.25	-	-	-	-	-
85	6.75	8.00	9.25	10.75	12.25	14.25	16.25	22.00	30.50	-	-	-	-	-	-
110	8.50	10.00	11.75	13.50	15.50	18.00	21.00	28.25	-	-	-	-	-	-	-
130	10.00	11.75	13.75	15.75	18.25	21.25	24.50	-	-	-	-	-	-	-	-
140	10.75	12.50	14.50	17.00	19.75	22.75	-	-	-	-	-	-	-	-	-
155	11.75	13.75	16.00	18.75	21.75	-	-	-	-	-	-	-	-	-	-
165	12.50	14.75	17.00	19.75	-	-	-	-	-	-	-	-	-	-	-
175	13.25	15.50	18.00	-	-	-	-	-	-	-	-	-	-	-	-
185	14.00	16.25	-	-	-	-	-	-	-	-	-	-	-	-	-
200	15.00	-	-	-	-	-	-	-	-	-	-	-	-	-	-

- NOTES:
1. MINIMUM GLASS SEPARATION BASED ON MAXIMUM DEFLECTION + 1".
 2. ANALYSIS IS LIMITED BY DEFLECTION UNDER STRUCTURAL LOADS AS WELL AS DEFLECTION DUE TO MISSILE LEVEL D LARGE MISSILE IMPACTS.
 3. APPROPRIATE INSTALLATION METHOD SHALL BE USED TO ACHIEVE THE REQUIRED SEPARATION IN THE ABOVE TABLE.
 4. GLASS SEPARATION REQUIRED IN HVHZ AREAS. GLASS SEPARATION REQUIREMENTS TO BE DETERMINED BY AHJ OUTSIDE OF HVHZ REGION.



HOUSING AND TRACK ASSEMBLY



TRACK FASTENER REQUIREMENT DETAIL (USED ON WALL AND BUILD OUT INSTALLATIONS)




TRACK FASTENER REQUIREMENT DETAIL (USED ON INSET INSTALLATIONS)

PREPARED BY:

BUILDING DROPS, INC.
 398 E. DANIA BEACH BLVD., STE. 338
 DANIA BEACH, FL 33004
 PH: (954)399-8478
 FAX: (954)744.4738
 WEB: www.buildingdrops.com

MAGNATRACK HURRICANE SYSTEM ELEVATION & DESIGN PRESSURE TABLE


 5350 PINKNEY AVE,
 SARASOTA, FLORIDA 34233
 PH: 866-802-0400

REMARKS	BY	DATE
NEW TESTING UPDATE	SM	12/9/20

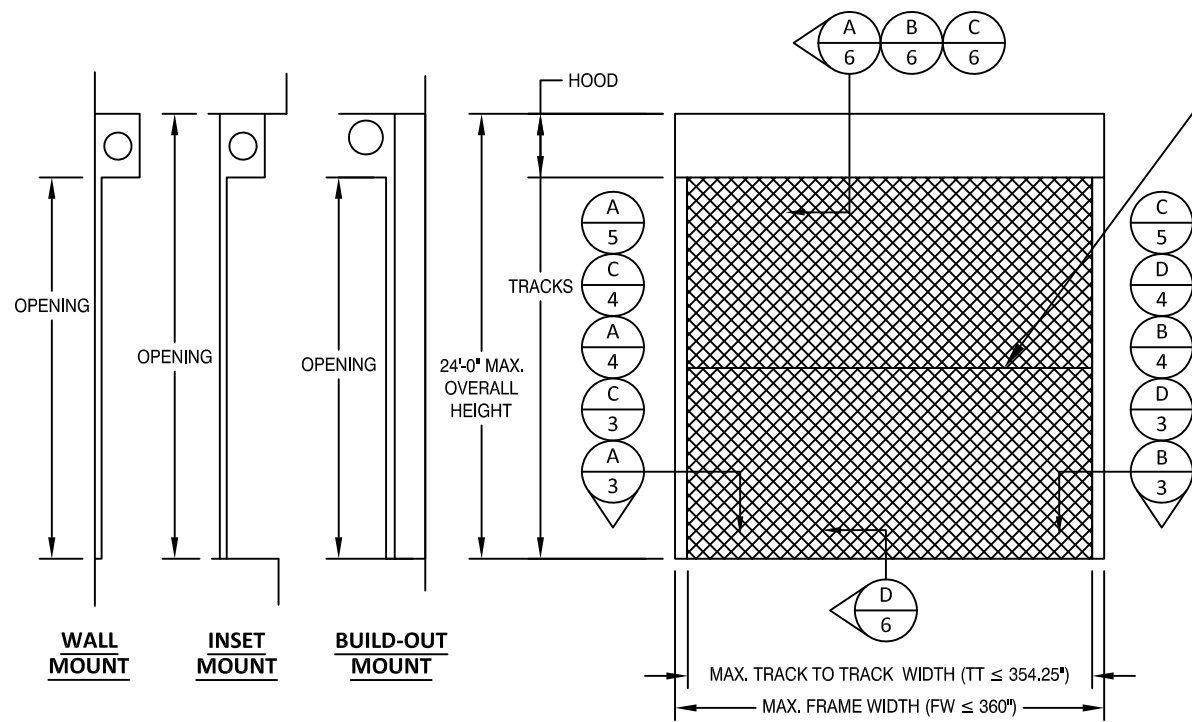
THE INSTALLATION DETAILS DESCRIBED HEREIN ARE GENERIC AND MAY NOT REFLECT ACTUAL CONDITIONS FOR A SPECIFIC SITE. IF SITE CONDITIONS CAUSE INSTALLATION TO DEVIATE FROM THE REQUIREMENTS DETAILED HEREIN, A LICENSED ENGINEER OR ARCHITECT SHALL PREPARE SITE SPECIFIC DOCUMENTS FOR USE WITH THIS DOCUMENT.



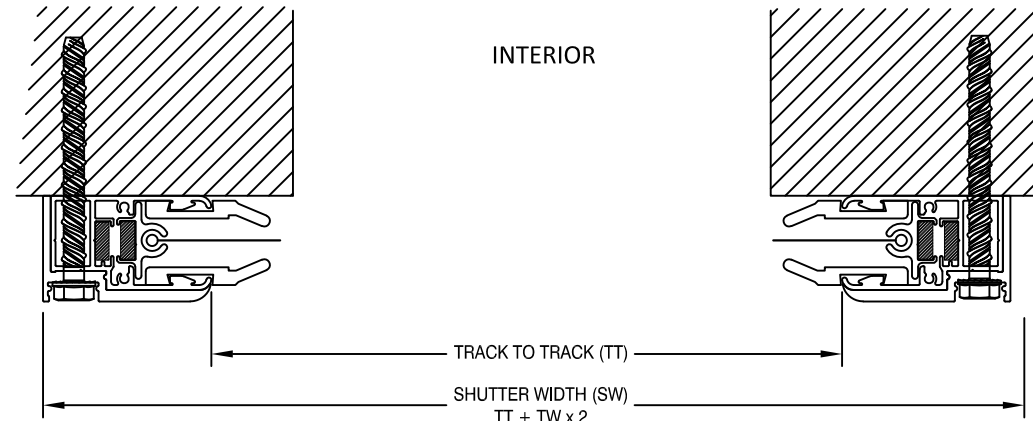
FL30798

DATE:	10.15.19
DWG. BY:	CHK. BY:
SM/AR	HFN
SCALE:	NTS
DWG. #:	PRG003
SHEET:	OF 29

TYPICAL SINGLE UNIT ELEVATION WALL AND INSET MOUNT DETAILS



FABRIC MAY BE SEAMED HORIZONTALLY TO JOIN MULTIPLE PIECES USING 5/8" OVERLAP WITH FABRIC HOT AIR WELDED



A
3 HORIZONTAL SECTION
WALL MOUNT

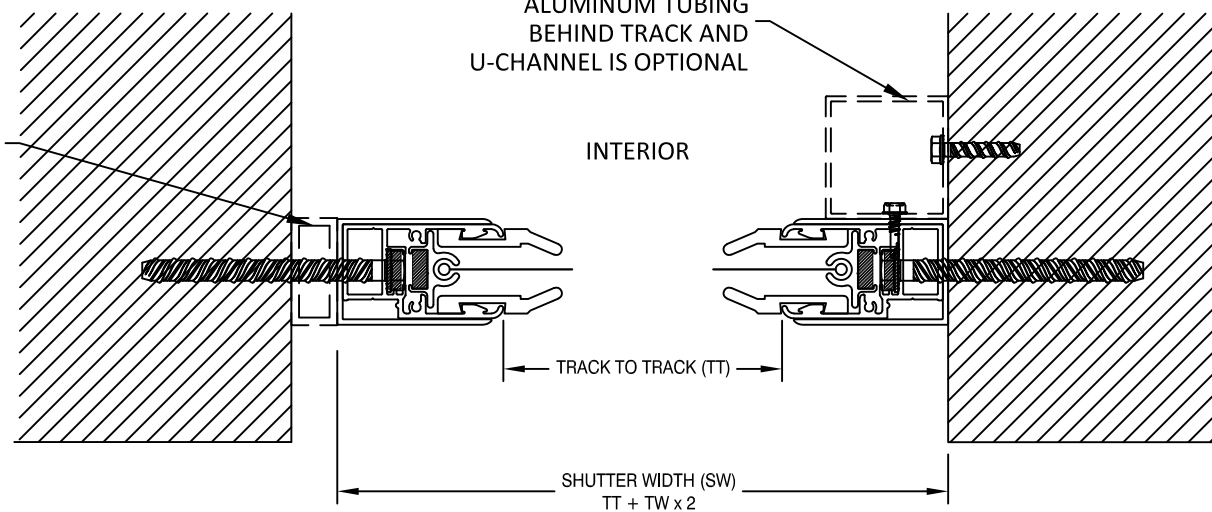
B
3 HORIZONTAL SECTION
WALL MOUNT

COMBINATION MOUNTED:
WALL, INSET, RECESSED AND BUILD-OUT MOUNTS CAN BE INSTALLED BY MIXING ANY POSSIBLE COMBINATIONS

1.75" x 0.75" x 0.125" ALUMINUM TUBING BETWEEN SUBSTRATE AND U-CHANNEL IS OPTIONAL

SEE DETAILS ON SHEETS 7-15 FOR ANCHOR REQUIREMENTS

USE OF ADDITIONAL ALUMINUM TUBING BEHIND TRACK AND U-CHANNEL IS OPTIONAL



C
3 HORIZONTAL SECTION
INSET MOUNT

D
3 HORIZONTAL SECTION
INSET MOUNT

PREPARED BY:

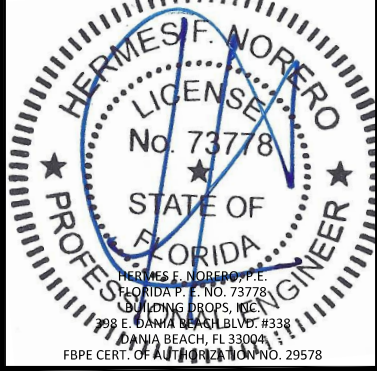
BUILDING DROPS, INC.
398 E. DANIA BEACH BLVD., STE. 338
DANIA BEACH, FL 33004
PH: (954)399-8478
FAX: (954)744.4738
WEB: www.buildingdrops.com

TITLE:
MAGNATRACK HURRICANE SYSTEM
TYP. SINGLE UNIT
HORIZONTAL SECTIONS

5350 PINKNEY AVE,
SARASOTA, FLORIDA 34233
PH: 866-802-0400

REMARKS	BY	DATE
NEW TESTING UPDATE	SM	12/9/20

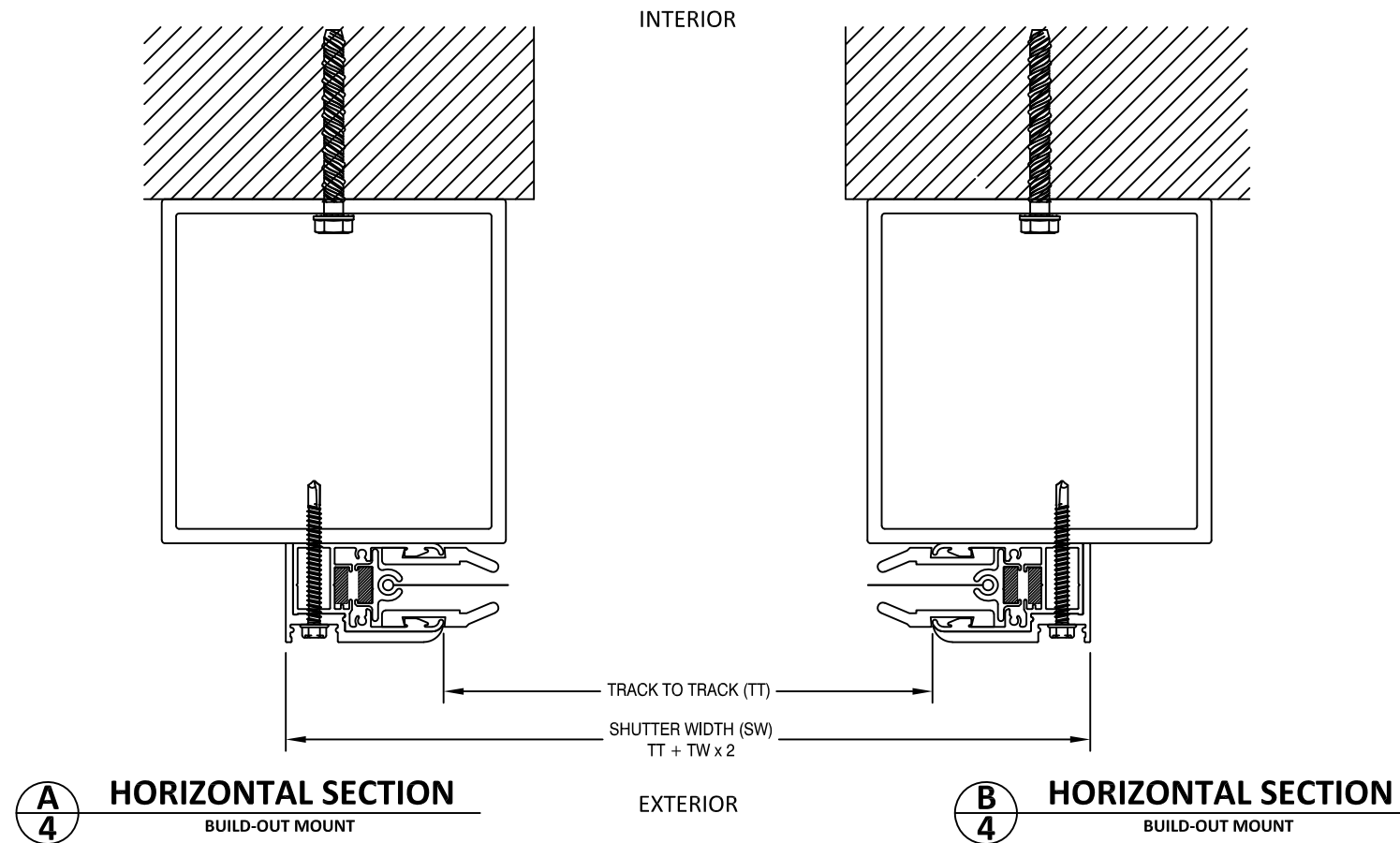
THE INSTALLATION DETAILS DESCRIBED HEREIN ARE GENERIC AND MAY NOT REFLECT ACTUAL CONDITIONS FOR A SPECIFIC SITE. IF SITE CONDITIONS CAUSE INSTALLATION TO DEVIATE FROM THE REQUIREMENTS DETAILED HEREIN, A LICENSED ENGINEER OR ARCHITECT SHALL PREPARE SITE SPECIFIC DOCUMENTS FOR USE WITH THIS DOCUMENT.



FL30798
DATE: 10.15.19
DWG. BY: SM/AR CHK. BY: HFN
SCALE: NTS
DWG. #: PRG003
SHEET: OF 29

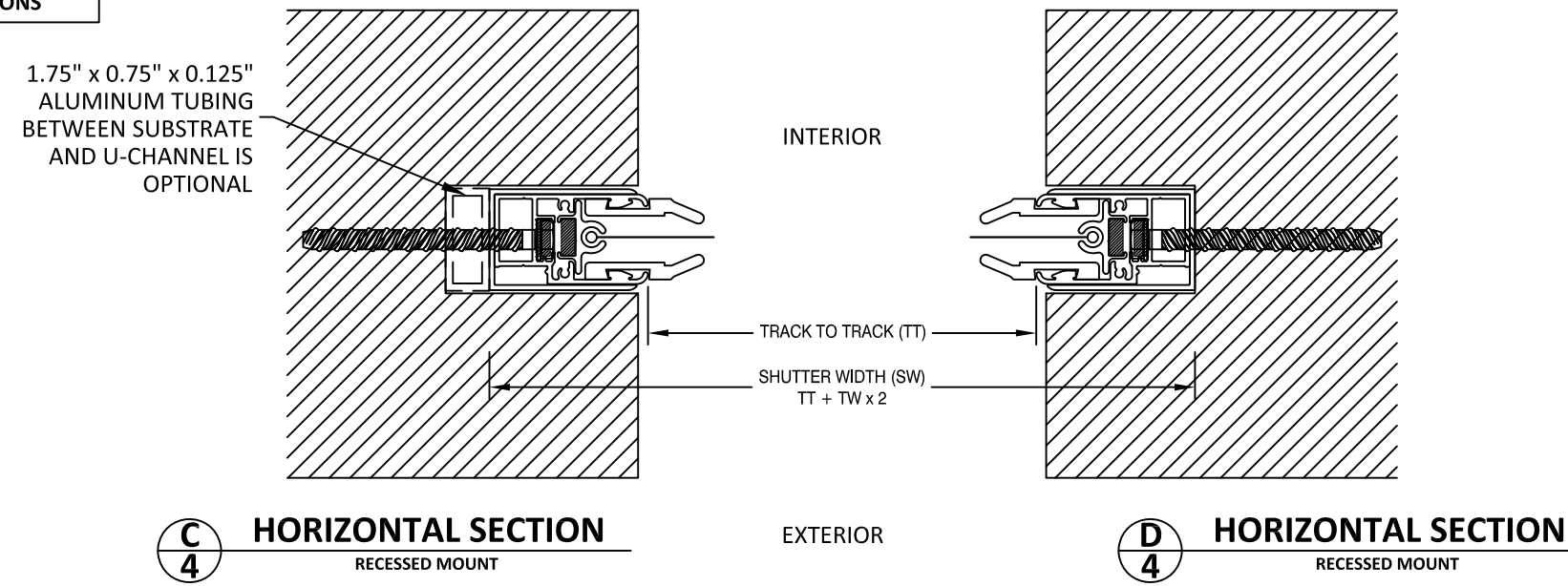
12/17/2020 6:26 PM s:\projects\progressive\screens\fb-20-0411-2-fbc-submittal-1150798 magnatrack fabric roll shutter-new profile\dwgs\p03 hvhz fabric rolldown submittal.dwg

BUILD OUT MOUNT DETAILS RECESSED MOUNT DETAILS



SEE DETAILS ON SHEETS 7-15 FOR ANCHOR REQUIREMENTS

COMBINATION MOUNTED:
WALL, INSET, RECESSED AND BUILD-OUT
MOUNTS CAN BE INSTALLED BY MIXING
ANY POSSIBLE COMBINATIONS




PREPARED BY:



BUILDING DROPS, INC.
398 E. DANIA BEACH BLVD., STE. 338
DANIA BEACH, FL 33004
PH: (954)399-8478
FAX: (954)744.4738
WEB: www.buildingdrops.com

TITLE:

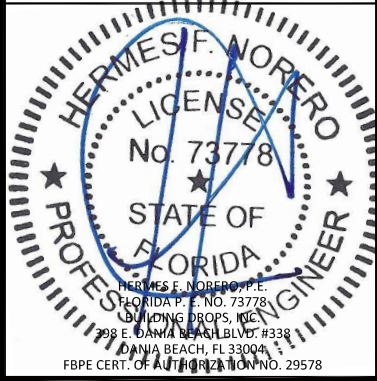
MAGNATRACK HURRICANE SYSTEM
TYP. SINGLE UNIT
HORIZONTAL SECTIONS



5350 PINKNEY AVE,
SARASOTA, FLORIDA 34233
PH: 866-802-0400

REMARKS	BY	DATE
NEW TESTING UPDATE	SM	12/9/20

THE INSTALLATION DETAILS DESCRIBED HEREIN ARE GENERIC AND MAY NOT REFLECT ACTUAL CONDITIONS FOR A SPECIFIC SITE. IF SITE CONDITIONS CAUSE INSTALLATION TO DEVIATE FROM THE REQUIREMENTS DETAILED HEREIN, A LICENSED ENGINEER OR ARCHITECT SHALL PREPARE SITE SPECIFIC DOCUMENTS FOR USE WITH THIS DOCUMENT.



FL30798

DATE: 10.15.19

DWG. BY: SM/AR CHK. BY: HFN

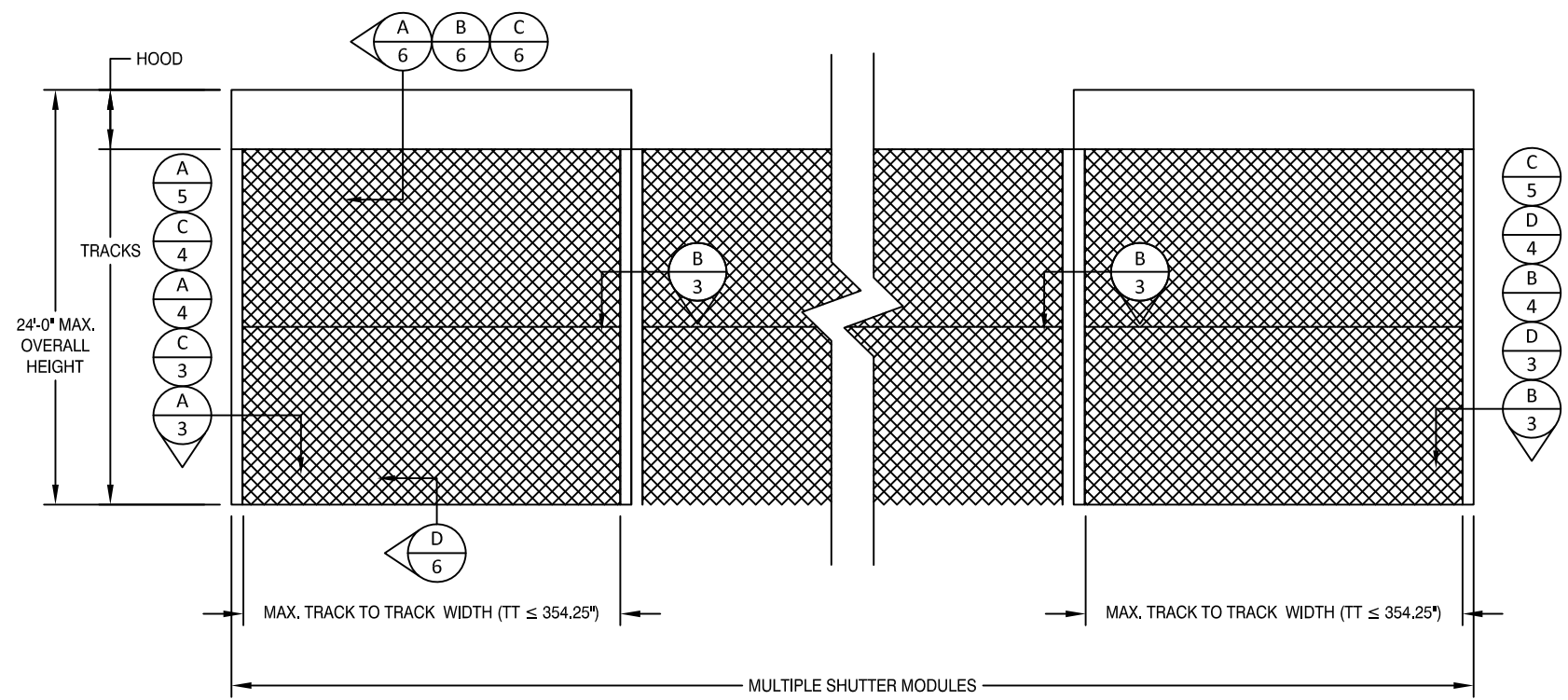
SCALE: NTS

DWG. #: PRG003

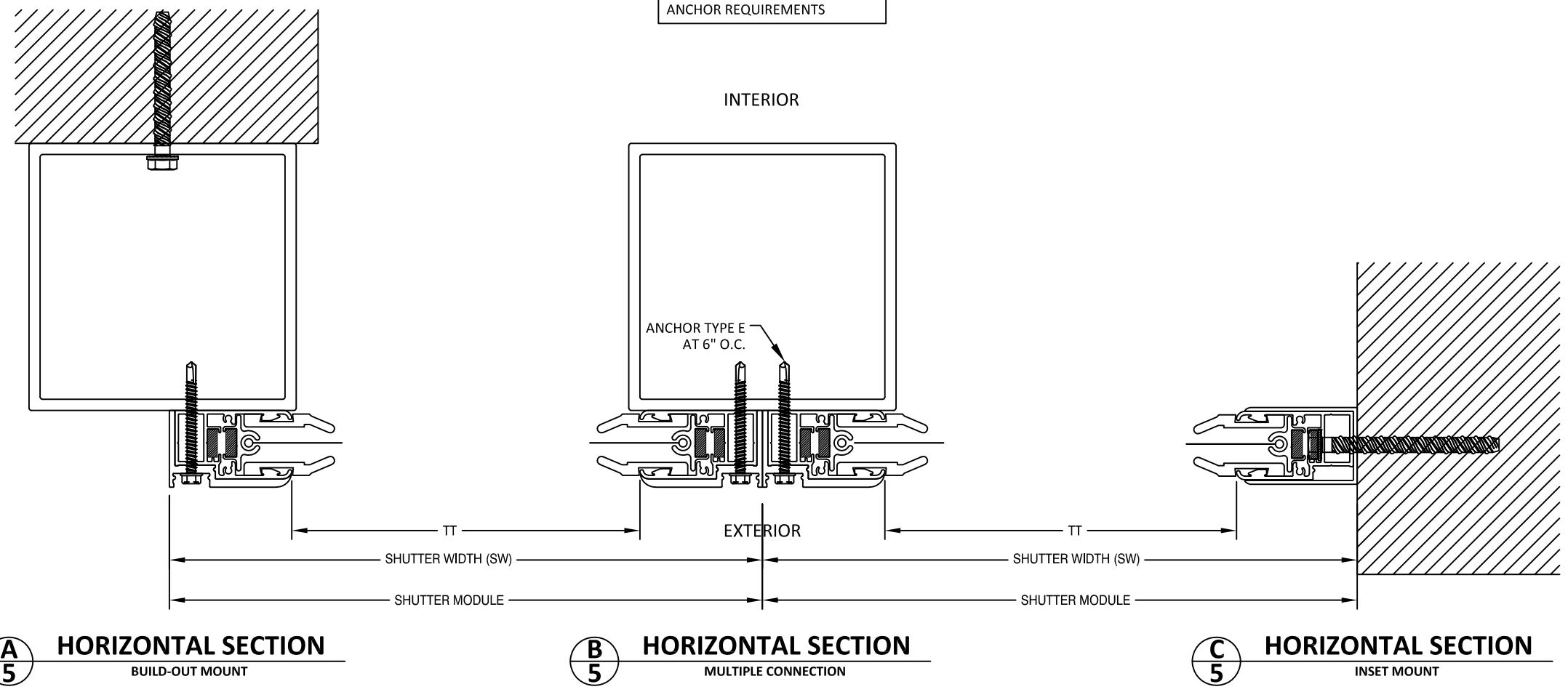
SHEET: 4 OF 29

12/17/2020 6:26 PM s:\projects\progressive screens\fb-20-0411.2-fbc-submittal-fb30798 magnatrack fabric roll shutter-new profile\dwg\pgr003 hvhz fabric roll-down submittal.dwg

TYPICAL MULTIPLE UNITS ELEVATION



SEE DETAILS ON SHEETS 7-15 FOR ANCHOR REQUIREMENTS



A
5 HORIZONTAL SECTION
BUILD-OUT MOUNT

B
5 HORIZONTAL SECTION
MULTIPLE CONNECTION

C
5 HORIZONTAL SECTION
INSET MOUNT

PREPARED BY:

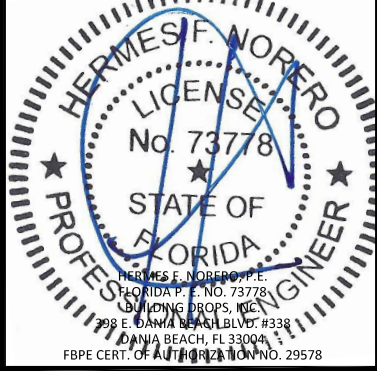
BUILDING DROPS, INC.
 398 E. DANIA BEACH BLVD., STE. 338
 DANIA BEACH, FL 33004
 PH: (954)399-8478
 FAX: (954)744.4738
 WEB: www.buildingdrops.com

TITLE:
 MAGNATRACK HURRICANE SYSTEM
 MULTIPLE UNITS
 HORIZONTAL SECTIONS


 5350 PINKNEY AVE,
 SARASOTA, FLORIDA 34233
 PH: 866-802-0400

REMARKS	BY	DATE
NEW TESTING UPDATE	SM	12/9/20

THE INSTALLATION DETAILS DESCRIBED HEREIN ARE GENERIC AND MAY NOT REFLECT ACTUAL CONDITIONS FOR A SPECIFIC SITE. IF SITE CONDITIONS CAUSE INSTALLATION TO DEVIATE FROM THE REQUIREMENTS DETAILED HEREIN, A LICENSED ENGINEER OR ARCHITECT SHALL PREPARE SITE SPECIFIC DOCUMENTS FOR USE WITH THIS DOCUMENT.



FL30798

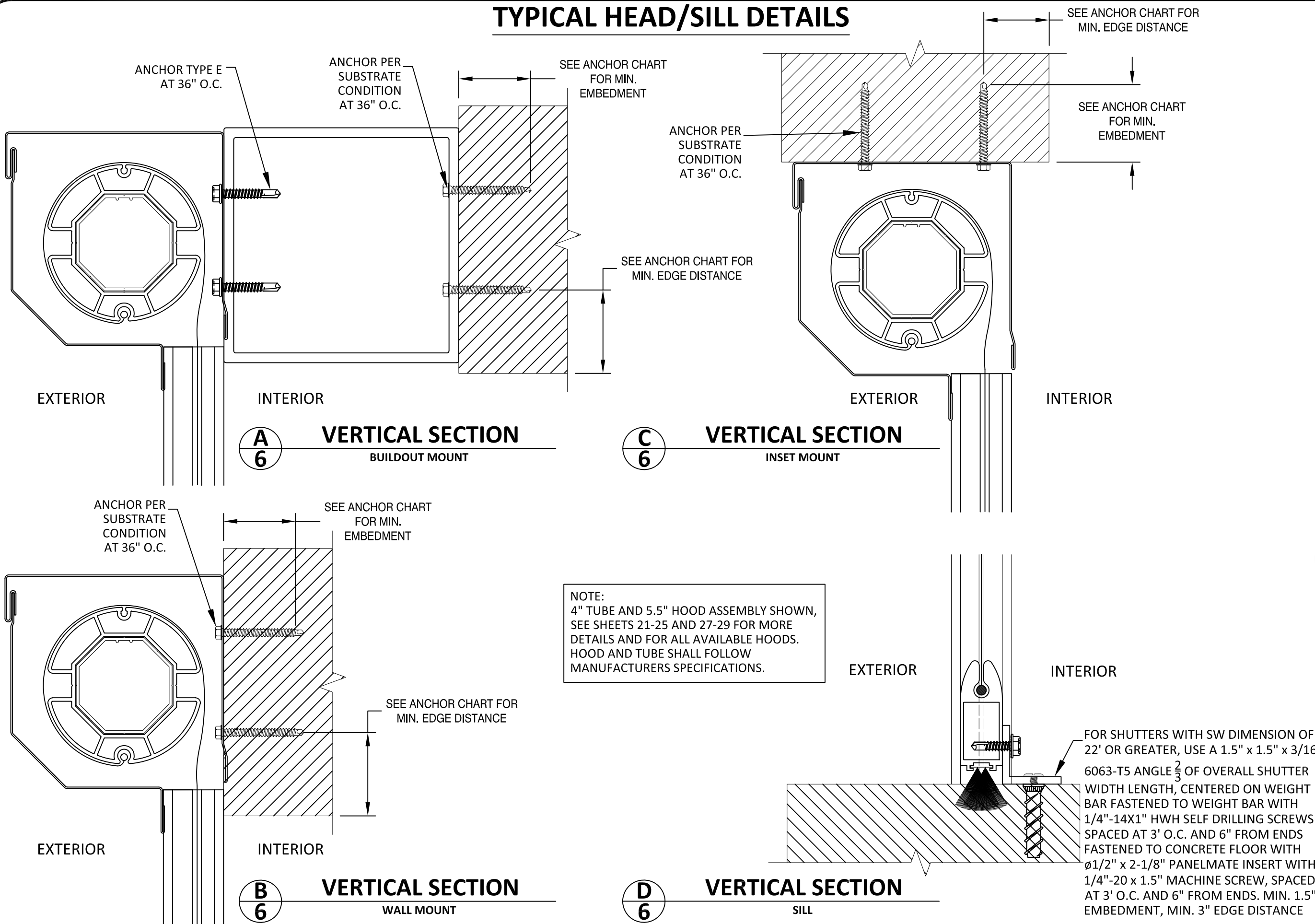
DATE:	10.15.19
DWG. BY:	SM/AR
CHK. BY:	HFN
SCALE:	NTS
DWG. #:	PRG003
SHEET:	OF 29

5

12/17/2020 6:26 PM

s:\projects\progressive screens\fb-20-0411.2-fbc-submittal-1150798 magnatrack fabric roll shutter-new profile\dwg\p003 hvhz fabric roll-down submittal.dwg

TYPICAL HEAD/SILL DETAILS




NOTE:
 4" TUBE AND 5.5" HOOD ASSEMBLY SHOWN,
 SEE SHEETS 21-25 AND 27-29 FOR MORE
 DETAILS AND FOR ALL AVAILABLE HOODS.
 HOOD AND TUBE SHALL FOLLOW
 MANUFACTURERS SPECIFICATIONS.

FOR SHUTTERS WITH SW DIMENSION OF
 22' OR GREATER, USE A 1.5" x 1.5" x 3/16"
 6063-T5 ANGLE $\frac{2}{3}$ OF OVERALL SHUTTER
 WIDTH LENGTH, CENTERED ON WEIGHT
 BAR FASTENED TO WEIGHT BAR WITH
 1/4"-14X1" HWH SELF DRILLING SCREWS
 SPACED AT 3' O.C. AND 6" FROM ENDS
 FASTENED TO CONCRETE FLOOR WITH
 1/2" x 2-1/8" PANELMATE INSERT WITH
 1/4"-20 x 1.5" MACHINE SCREW, SPACED
 AT 3' O.C. AND 6" FROM ENDS. MIN. 1.5"
 EMBEDMENT, MIN. 3" EDGE DISTANCE

PREPARED BY:

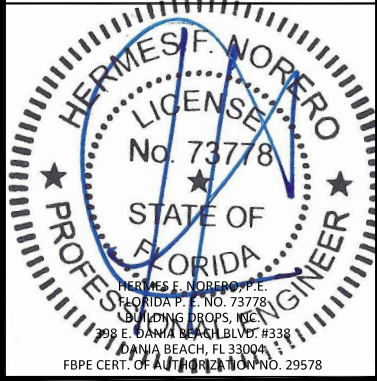
BUILDING DROPS, INC.
 398 E. DANIA BEACH BLVD., STE. 338
 DANIA BEACH, FL 33004
 PH: (954)399-8478
 FAX: (954)744.4738
 WEB: www.buildingdrops.com

TITLE:
MAGNATRACK HURRICANE SYSTEM
TYP. VERTICAL SECTIONS


 5350 PINKNEY AVE,
 SARASOTA, FLORIDA 34233
 PH: 866-802-0400

REMARKS	BY	DATE
NEW TESTING UPDATE	SM	12/9/20

THE INSTALLATION DETAILS DESCRIBED HEREIN ARE GENERIC AND MAY NOT REFLECT ACTUAL CONDITIONS FOR A SPECIFIC SITE. IF SITE CONDITIONS CAUSE INSTALLATION TO DEVIATE FROM THE REQUIREMENTS DETAILED HEREIN, A LICENSED ENGINEER OR ARCHITECT SHALL PREPARE SITE SPECIFIC DOCUMENTS FOR USE WITH THIS DOCUMENT.



FL30798

DATE: 10.15.19

DWG. BY: SM/AR	CHK. BY: HFN
--------------------------	------------------------

SCALE: **NTS**

DWG. #: **PRG003**

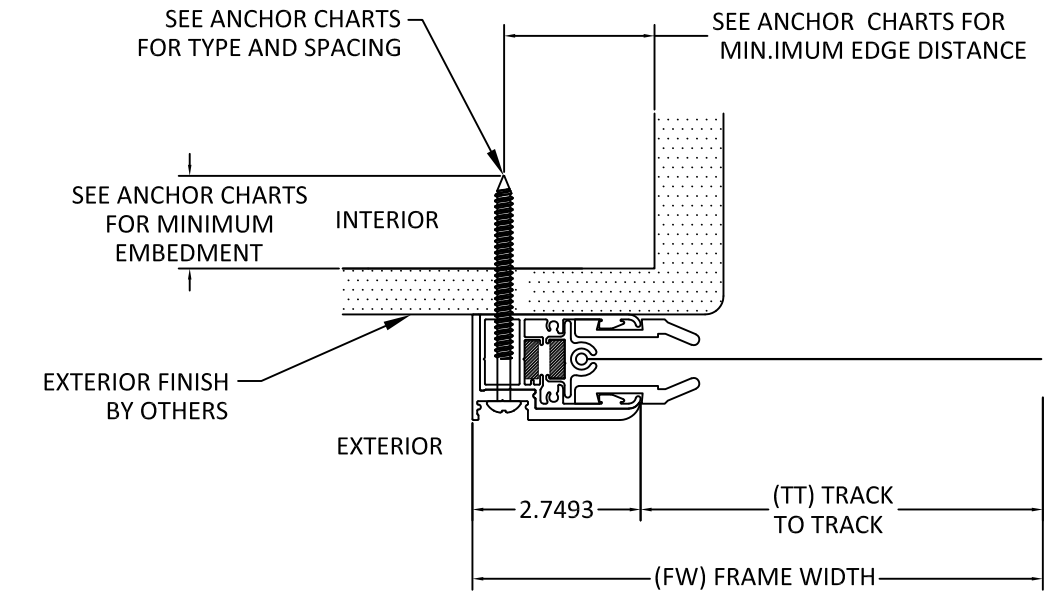
SHEET: **6** OF 29

12/17/2020 6:26 PM
 s:\projects\progressive\screens\fb-20-0411-2-fbc-submittal-1150798 magnatrack fabric roll shutter-new profile\dwg\p03 hvhz fabric roll-down submittal.dwg

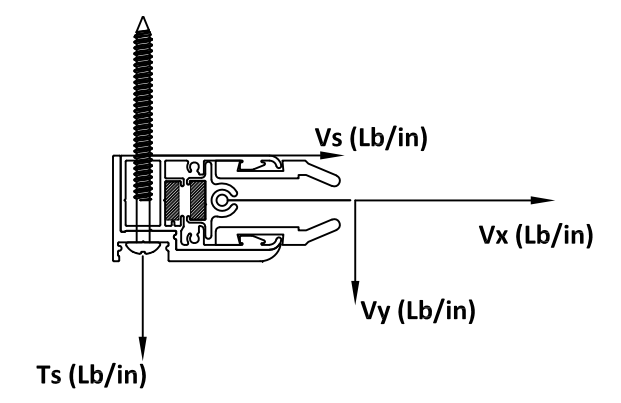
12/17/2020 6:27 PM

TABLE 3 - ANCHOR SPACING						ANCHOR TYPE & SPACING WALL - MOUNT 1						ANCHOR TYPE & SPACING 2X3, 2X4, 4X4 OR 6X6 BO - MOUNT 2					
FW	DP	Vx	Vy	Vs	Ts	A	B	C	D	E	F	A	B	C	D	E	F
35	64.0	8.8	64.0	160.3	6	6	6	6	6	6	6	6	6	6	6	6	6
40	64.0	10.0	64.0	161.5	6	6	6	6	6	6	6	6	6	6	6	6	6
45	64.0	11.3	64.0	162.8	6	6	6	6	6	6	6	6	6	6	6	6	6
50	64.0	12.5	64.0	164.1	6	6	6	6	6	6	6	6	6	6	6	6	6
55	64.0	13.8	64.0	165.4	6	6	6	6	6	6	6	6	6	6	6	6	6
60	64.0	15.0	64.0	166.7	6	6	6	6	6	6	6	6	6	6	6	6	6
65	64.0	16.3	64.0	167.9	6	6	6	6	6	6	6	6	6	6	6	6	6
66.7	64.0	16.7	64.0	168.4	6	6	6	6	6	6	6	6	6	6	6	6	6
70	64.0	17.5	64.0	169.2	6	6	6	6	6	6	6	6	6	6	6	6	6
75	64.0	18.8	64.0	170.5	6	6	6	6	6	6	6	6	6	6	6	6	6
80	64.0	20.0	64.0	171.8	6	6	6	6	6	6	6	6	6	6	6	6	6
85	64.0	21.3	64.0	173.0	6	6	6	6	6	6	6	6	6	6	6	6	6
90	64.0	22.5	64.0	174.3	6	6	6	6	6	6	6	6	6	5	6	6	6
95	64.0	23.8	64.0	175.6	6	6	6	6	6	6	6	6	6	5	6	6	6
100	64.0	25.0	64.0	177.2	6	6	6	6	6	6	6	6	6	5	6	6	6
105	64.0	26.3	64.0	178.9	6	6	6	6	6	6	6	6	6	5	6	6	6
110	64.0	27.5	64.0	180.6	6	6	6	6	6	6	6	6	6	5	6	6	6
115	64.0	28.8	64.0	182.3	6	6	6	6	6	6	6	6	6	5	6	6	6
120	64.0	30.0	64.0	184.0	6	6	6	6	6	6	6	6	6	5	6	6	6
125	64.0	31.3	64.0	185.7	6	6	6	6	6	6	6	6	6	5	6	6	6
130	64.0	32.5	64.0	187.3	6	6	6	6	6	6	6	6	6	5	6	6	6
135	64.0	33.8	64.0	189.0	6	6	6	6	6	6	6	6	6	5	6	6	6
140	64.0	35.0	64.0	190.7	6	6	6	6	6	6	6	6	6	5	6	6	6
145	64.0	36.3	64.0	192.4	6	6	6	6	6	6	6	6	6	5	6	6	6
150	64.0	37.5	64.0	194.1	6	6	6	6	6	6	6	6	6	5	6	6	6
155	64.0	38.8	64.0	195.8	6	6	6	6	6	6	6	6	6	5	6	6	6
160	64.0	40.0	64.0	197.5	6	6	6	6	6	6	6	6	6	5	6	6	6
165	64.0	41.3	64.0	199.1	6	6	6	6	6	6	6	6	6	5	6	6	6
170	64.0	42.5	64.0	200.8	6	6	6	6	6	6	6	6	6	5	6	6	6
175	64.0	43.8	64.0	202.5	6	6	6	6	6	6	6	6	6	5	6	6	6
180	64.0	45.0	64.0	204.2	6	6	6	6	6	6	6	6	6	5	6	6	6
185	64.0	46.3	64.0	205.9	6	6	6	6	6	6	6	6	6	4	6	6	6
190	64.0	47.5	64.0	207.6	6	6	6	6	6	6	6	6	6	4	6	6	6
195	64.0	48.8	64.0	209.2	6	6	6	6	6	6	6	6	6	4	6	6	6
200	64.0	50.0	64.0	210.9	6	6	6	6	6	6	6	6	6	4	6	6	6
35	73.4	10.2	73.4	0.0	6	6	6	6	6	6	6	6	6	5	6	6	6
40	73.4	11.7	73.4	0.0	6	6	6	6	6	6	6	6	6	5	6	6	6
45	73.4	13.1	73.4	0.0	6	6	6	6	6	6	6	6	6	5	6	6	6
50	73.4	14.6	73.4	0.0	6	6	6	6	6	6	6	6	6	5	6	6	6
55	73.4	16.0	73.4	184.0	6	6	6	6	6	6	6	6	6	5	6	6	6
60	73.4	17.5	73.4	185.5	6	6	6	6	6	6	6	6	6	5	6	6	6
65	73.4	19.0	73.4	187.0	6	6	6	6	6	6	6	6	6	4	6	6	6
66.7	73.4	19.5	73.4	188.5	6	6	6	6	6	6	6	6	6	4	6	6	6
70	73.4	20.4	73.4	190.0	6	6	6	6	6	6	6	6	6	4	6	6	6
75	73.4	21.9	73.4	191.5	6	6	6	6	6	6	6	6	6	4	6	6	6
80	73.4	23.3	73.4	193.0	6	6	6	6	6	6	6	6	6	4	6	6	6
85	73.4	24.8	73.4	193.5	6	6	6	6	6	6	6	6	6	4	6	6	6
90	73.4	26.3	73.4	194.4	6	6	6	6	6	6	6	6	6	4	6	6	6
95	73.4	27.7	73.4	195.9	6	6	6	6	6	6	6	6	6	4	6	6	6
100	73.4	29.2	73.4	197.4	6	6	6	6	6	6	6	6	6	4	6	6	6
105	73.4	30.6	73.4	198.9	6	6	6	6	6	6	6	6	6	4	6	6	6
110	73.4	32.1	73.4	200.4	6	6	6	6	6	6	6	6	6	4	6	6	6
115	73.4	33.5	73.4	202.0	6	6	6	6	6	6	6	6	6	4	6	6	6
120	73.4	35.0	73.4	204.0	6	6	6	6	6	6	6	6	6	4	6	6	6
125	73.4	36.5	73.4	205.9	6	6	6	6	6	6	6	6	6	4	6	6	6
130	73.4	37.9	73.4	207.9	6	6	6	6	6	6	6	6	6	4	6	6	6
135	73.4	39.4	73.4	209.9	6	6	6	6	6	6	6	6	6	4	6	6	6
140	73.4	40.8	73.4	211.8	6	6	6	6	6	6	6	6	6	4	6	6	6
145	73.4	42.3	73.4	213.8	6	6	6	6	6	6	6	6	6	4	6	6	5
150	73.4	43.8	73.4	215.8	6	6	6	6	6	6	6	6	6	4	6	6	5
155	73.4	45.2	73.4	217.7	6	6	6	6	6	6	6	6	6	4	6	6	5
160	73.4	46.7	73.4	219.7	6	6	6	6	6	6	6	6	6	4	6	6	5
165	73.4	48.1	73.4	221.7	6	6	6	6	6	6	6	6	6	4	6	6	5
170	73.4	49.6	73.4	223.6	6	6	6	6	6	6	6	6	6	4	5	6	5
175	73.4	51.0	73.4	225.6	6	6	6	6	6	6	6	6	6	3	5	6	5
180	73.4	52.5	73.4	227.5	6	6	6	6	6	6	6	6	6	3	5	6	5
185	73.4	54.0	73.4	229.5	6	6	6	6	6	6	6	6	6	3	5	6	5

TYPICAL HORIZONTAL SECTIONS WALL MOUNT



A
7
HORIZONTAL SECTION
MOUNT TYPE 1
WALL MOUNT
*WITH END RETENTION



ANCHOR SCHEDULE:

ANCHOR	DESCRIPTION	MATERIAL	EDGE DISTANCE	EMBEDMENT
A	3/8" POWERS WEDGE BOLT	MIN. 3000 PSI CONCRETE	3 3/4"	3 1/2"
B	5/16" ITW TAPCON	MIN. 3000 PSI CONCRETE	2 3/16"	2 1/4"
C	3/8" POWERS WEGDE BOLT	GROUT FILLED C-90 BLOCK f'm ≥ 1500 PSI	2"	2 1/2"
D	5/16" ITW TAPCON	GROUT FILLED C-90 BLOCK f'm ≥ 2000 PSI	4"	2 1/4"
E	#14 ELCO DRIL-FLEX SELF DRILLING SCREW	MIN 1/4" 6063-T6 ALUM. A36 3/16" STEEL	1/2" 3/8"	3 THREADS PENETRATION
F	5/16" ELCO Ultracon	MIN. SG = 0.55 WOOD	1 1/2"	2"

PREPARED BY:

BUILDING DROPS, INC.
 398 E. DANIA BEACH BLVD., STE. 338
 DANIA BEACH, FL 33004
 PH: (954)399-8478
 FAX: (954)744.4738
 WEB: www.buildingdrops.com

TITLE:
MAGNATRACK HURRICANE SYSTEM
HORIZONTAL SECTIONS & ANCHOR SCHEDULE

5350 PINKNEY AVE,
 SARASOTA, FLORIDA 34233
 PH: 866-802-0400

REMARKS	BY	DATE
NEW TESTING UPDATE	SM	12/9/20

THE INSTALLATION DETAILS DESCRIBED HEREIN ARE GENERIC AND MAY NOT REFLECT ACTUAL CONDITIONS FOR A SPECIFIC SITE. IF SITE CONDITIONS CAUSE INSTALLATION TO DEVIATE FROM THE REQUIREMENTS DETAILED HEREIN, A LICENSED ENGINEER OR ARCHITECT SHALL PREPARE SITE SPECIFIC DOCUMENTS FOR USE WITH THIS DOCUMENT.

HERMES F. NORERO, P.E.
 FLORIDA P. E. NO. 73778
 BUILDING DROPS, INC.
 398 E. DANIA BEACH BLVD. #338
 DANIA BEACH, FL 33004
 FBPE CERT. OF AUTHORIZATION NO. 29578

FL30798

DATE: **10.15.19**

DWG. BY: **SM/AR** | CHK. BY: **HFN**

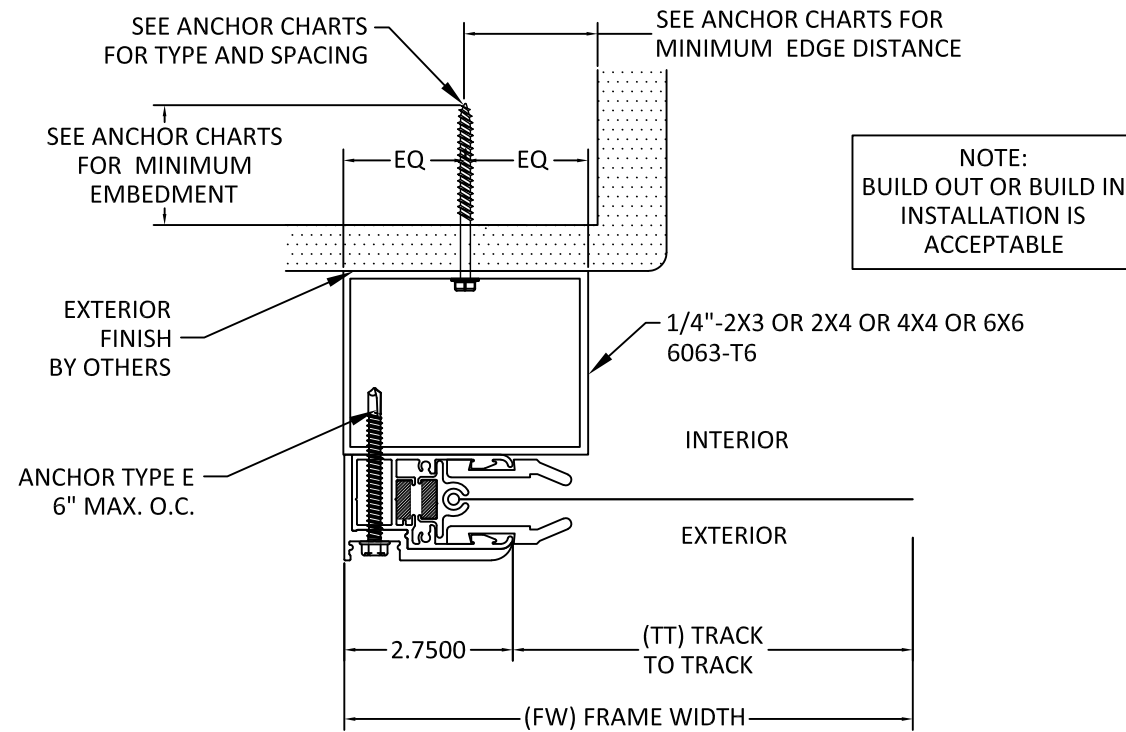
SCALE: **NTS**

DWG. #: **PRG003**

SHEET: **7** OF 29

s:\projects\progressive\screens\fb-20-0411-2-fbc-submittal-150798 magnatrack fabric roll shutter-new profile\dwg\p03 hvz fabric roll-down submittal.dwg

TYPICAL HORIZONTAL SECTIONS BUILD OUT



NOTE:
BUILD OUT OR BUILD IN
INSTALLATION IS
ACCEPTABLE

A 8 HORIZONTAL SECTION

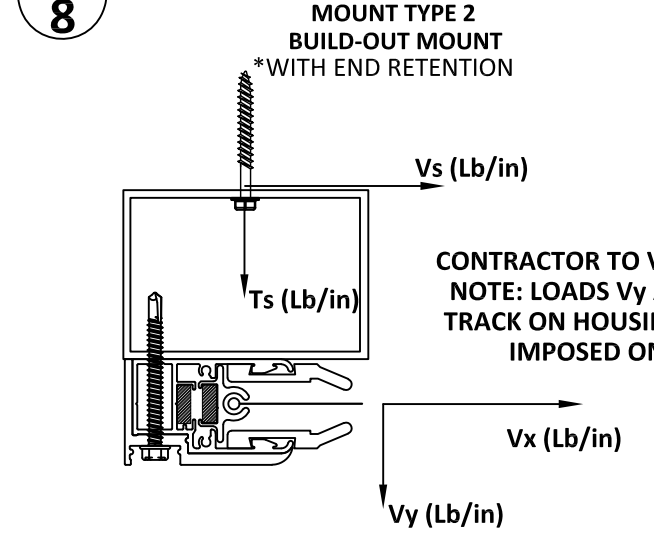


TABLE 3 - ANCHOR SPACING						ANCHOR TYPE & SPACING WALL - MOUNT 1						ANCHOR TYPE & SPACING 2X3, 2X4, 4X4 OR 6X6 BO - MOUNT 2					
FW	DP	Vx	Vy	Vs	Ts	A	B	C	D	E	F	A	B	C	D	E	F
96	35	81.5	11.7	81.5	204.6	6	6	6	6	6	6	6	6	4	6	6	6
	40	81.5	13.3	81.5	206.3	6	6	6	6	6	6	6	6	4	6	6	6
	45	81.5	15.0	81.5	208.0	6	6	6	6	6	6	6	6	4	6	6	6
	50	81.5	16.7	81.5	209.7	6	6	6	6	6	6	6	6	4	6	6	6
	55	81.5	18.3	81.5	211.4	6	6	6	6	6	6	6	6	4	6	6	6
	60	81.5	20.0	81.5	213.1	6	6	6	6	6	6	6	6	4	6	6	6
	65	81.5	21.7	81.5	214.8	6	6	6	6	6	6	6	6	4	6	6	6
	66.7	81.5	22.2	81.5	215.4	6	6	6	6	6	6	6	6	4	6	6	6
	70	81.5	23.3	81.5	216.5	6	6	6	6	6	6	6	6	4	6	6	5
	75	81.5	25.0	81.5	218.2	6	6	6	6	6	6	6	6	4	6	6	5
	80	81.5	26.7	81.5	219.9	6	6	6	6	6	6	6	6	4	6	6	5
	85	81.5	28.3	81.5	221.6	6	6	6	6	6	6	6	6	4	6	6	5
	90	81.5	30.0	81.5	223.3	6	6	6	6	6	6	6	6	3	6	6	5
	95	81.5	31.7	81.5	225.4	6	6	6	6	6	6	6	6	3	5	6	5
	100	81.5	33.3	81.5	227.7	6	6	6	6	6	6	6	6	3	5	6	5
	105	81.5	35.0	81.5	229.9	6	6	6	6	6	6	6	6	3	5	6	5
	110	81.5	36.7	81.5	232.1	6	6	6	6	6	6	6	6	3	5	6	5
115	81.5	38.3	81.5	234.4	6	6	6	6	6	6	6	6	3	5	6	5	
120	81.5	40.0	81.5	236.6	6	6	6	6	6	6	6	6	3	5	6	5	
125	81.5	41.7	81.5	238.9	6	6	6	6	6	6	6	6	3	5	6	5	
130	81.5	43.3	81.5	241.1	6	6	6	6	6	6	6	6	3	5	6	5	
135	81.5	45.0	81.5	243.4	6	6	6	6	6	6	6	6	3	5	6	5	
140	81.5	46.7	81.5	245.6	6	6	6	6	6	6	6	5	3	5	6	4	
145	81.5	48.3	81.5	247.9	6	6	6	6	6	6	6	5	3	5	6	4	
150	81.5	50.0	81.5	250.1	6	6	6	6	6	6	6	5	3	5	6	4	
155	81.5	51.7	81.5	252.4	6	6	6	6	6	6	6	5	3	5	6	4	
160	81.5	53.3	81.5	254.6	6	6	6	6	6	6	6	5	3	5	6	4	
165	81.5	55.0	81.5	256.9	6	6	6	6	6	6	6	5	3	5	6	4	
170	81.5	56.7	81.5	259.1	6	6	6	6	6	6	6	5	3	4	6	4	
175	81.5	58.3	81.5	261.3	6	6	6	6	6	6	6	5	3	4	6	4	
108	35	88.1	13.1	88.1	221.7	6	6	6	6	6	6	6	6	3	6	6	5
	40	88.1	15.0	88.1	223.6	6	6	6	6	6	6	6	6	3	6	6	5
	45	88.1	16.9	88.1	225.6	6	6	6	6	6	6	6	6	3	6	6	5
	50	88.1	18.8	88.1	227.5	6	6	6	6	6	6	6	6	3	5	6	5
	55	88.1	20.6	88.1	229.4	6	6	6	6	6	6	6	6	3	5	6	5
	60	88.1	22.5	88.1	231.3	6	6	6	6	6	6	6	6	3	5	6	5
	65	88.1	24.4	88.1	233.2	6	6	6	6	6	6	6	6	3	5	6	5
	66.7	88.1	25.0	88.1	233.9	6	6	6	6	6	6	6	6	3	5	6	5
	70	88.1	26.3	88.1	235.1	6	6	6	6	6	6	6	6	3	5	6	5
	75	88.1	28.1	88.1	237.1	6	6	6	6	6	6	6	6	3	5	6	5
	80	88.1	30.0	88.1	239.0	6	6	6	6	6	6	6	6	3	5	6	5
	85	88.1	31.9	88.1	240.9	6	6	6	6	6	6	6	6	3	5	6	5
	90	88.1	33.8	88.1	243.1	6	6	6	6	6	6	6	5	3	5	6	4
	95	88.1	35.6	88.1	245.6	6	6	6	6	6	6	6	5	3	5	6	4
	100	88.1	37.5	88.1	248.1	6	6	6	6	6	6	6	5	3	5	6	4
	105	88.1	39.4	88.1	250.7	6	6	6	6	6	6	6	5	3	5	6	4
	110	88.1	41.3	88.1	253.2	6	6	6	6	6	6	6	5	3	4	6	4
115	88.1	43.1	88.1	255.7	6	6	6	6	6	6	6	5	3	4	6	4	
120	88.1	45.0	88.1	258.2	6	6	6	6	6	6	6	5	3	4	6	4	
125	88.1	46.9	88.1	260.8	6	6	6	6	6	6	6	5	3	4	6	4	
130	88.1	48.8	88.1	263.3	6	6	6	6	6	6	6	5	3	4	6	4	
135	88.1	50.6	88.1	265.8	6	6	6	6	6	6	6	5	3	4	6	4	
140	88.1	52.5	88.1	268.4	6	6	6	6	6	6	6	5	3	4	6	4	
145	88.1	54.4	88.1	270.9	6	6	6	6	6	6	6	5	3	4	6	4	
150	88.1	56.3	88.1	273.4	6	6	6	6	6	6	6	5	3	4	6	4	
155	88.1	58.1	88.1	275.9	6	6	6	6	6	6	6	4	3	4	6	4	
160	88.1	60.0	88.1	278.5	6	6	6	6	6	6	6	4	-	4	6	4	
165	88.1	61.9	88.1	281.0	6	6	6	6	6	6	6	4	-	4	6	4	

ANCHOR SCHEDULE:

ANCHOR	DESCRIPTION	MATERIAL	EDGE DISTANCE	EMBEDMENT
A	3/8" POWERS WEDGE BOLT	MIN. 3000 PSI CONCRETE	3 3/4"	3 1/2"
B	5/16" ITW TAPCON	MIN. 3000 PSI CONCRETE	2 3/16"	2 1/4"
C	3/8" POWERS WEGDE BOLT	GROUT FILLED C-90 BLOCK f'm ≥ 1500 PSI	2"	2 1/2"
D	5/16" ITW TAPCON	GROUT FILLED C-90 BLOCK f'm ≥ 2000 PSI	4"	2 1/4"
E	#14 ELCO DRIL-FLEX SELF DRILLING SCREW	MIN 1/4" 6063-T6 ALUM.	1/2"	3 THREADS PENETRATION
		A36 3/16" STEEL	3/8"	
F	5/16" ELCO Ultracon	MIN. SG = 0.55 WOOD	1 1/2"	2"

PREPARED BY:

BUILDING DROPS, INC.
398 E. DANIA BEACH BLVD., STE. 338
DANIA BEACH, FL 33004
PH: (954)399-8478
FAX: (954)744.4738
WEB: www.buildingdrops.com

TITLE: MAGNATRACK HURRICANE SYSTEM
HORIZONTAL SECTIONS &
ANCHOR SCHEDULE

5350 PINKNEY AVE,
SARASOTA, FLORIDA 34233
PH: 866-802-0400

REMARKS	BY	DATE
NEW TESTING UPDATE	SM	12/9/20

THE INSTALLATION DETAILS DESCRIBED HEREIN ARE GENERIC AND MAY NOT REFLECT ACTUAL CONDITIONS FOR A SPECIFIC SITE. IF SITE CONDITIONS CAUSE INSTALLATION TO DEVIATE FROM THE REQUIREMENTS DETAILED HEREIN, A LICENSED ENGINEER OR ARCHITECT SHALL PREPARE SITE SPECIFIC DOCUMENTS FOR USE WITH THIS DOCUMENT.

HERMES F. NORERO, P.E.
FLORIDA P. E. NO. 73778
BUILDING DROPS, INC.
398 E. DANIA BEACH BLVD #338
DANIA BEACH, FL 33004
FBPE CERT. OF AUTHORIZATION NO. 29578

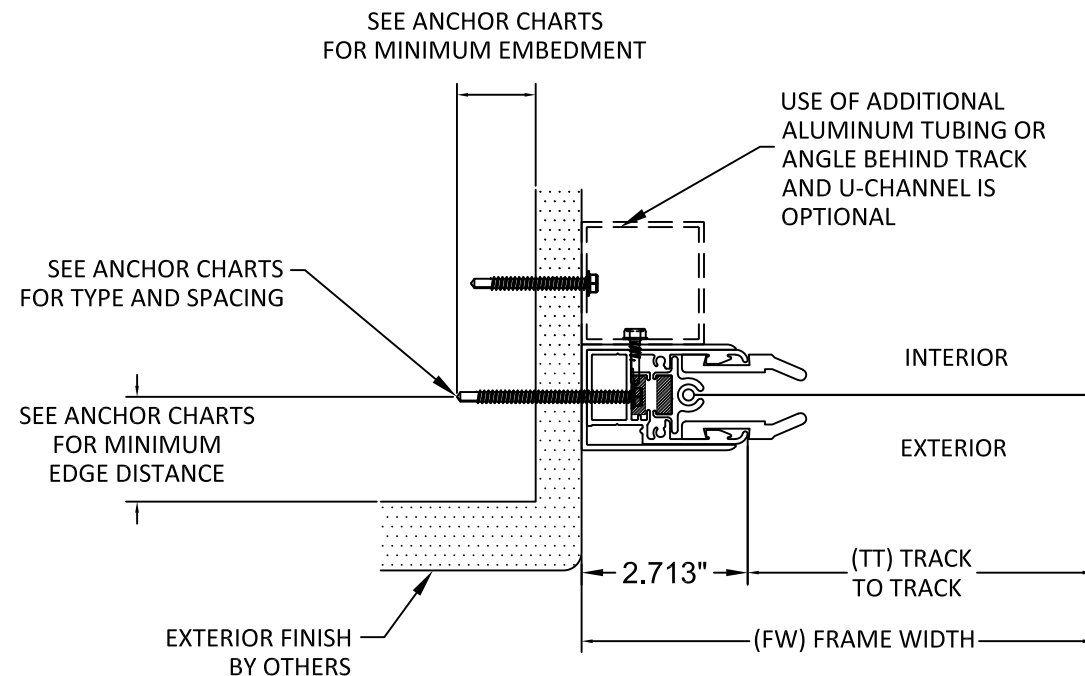
FL30798

DATE: 10.15.19

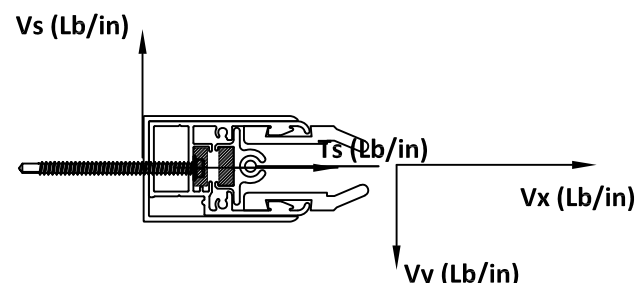
DWG. BY: SM/AR	CHK. BY: HFN
SCALE: NTS	
DWG. #: PRG003	
SHEET: 8 OF 29	

12/17/2020 6:27 PM
s:\projects\progressive\screens\fb-20-0411-2-fbc-submittal-150798 magnatrack fabric roll shutter-new profile.dwg\p03 hvhz fabric roll-down submittal.dwg

TYPICAL HORIZONTAL SECTIONS INSET MOUNT



A
10
HORIZONTAL SECTION
MOUNT TYPE 3
INSET MOUNT
*WITH END RETENTION



CONTRACTOR TO VERIFY ADEQUACY OF STRUCTURE
NOTE: LOADS Vy AND Vx ARE LOADS IMPOSED BY
TRACK ON HOUSING. LOADS Ts AND Vs ARE LOADS
IMPOSED ON STRUCTURE BY ANCHORS.
NOTE: Ts AND Vs VALUES ARE TOTAL LOAD APPLIED
BY BOTH SCREWS.

SEE SHEETS 11 & 12 FOR ANCHOR SPACING TABLES

ANCHOR SCHEDULE:

ANCHOR	DESCRIPTION	MATERIAL	EDGE DISTANCE	EMBEDMENT
A	3/8" POWERS WEDGE BOLT	MIN. 3000 PSI CONCRETE	3 3/4"	3 1/2"
B	5/16" ITW TAPCON	MIN. 3000 PSI CONCRETE	2 3/16"	2 1/4"
C	3/8" POWERS WEGDE BOLT	GROUT FILLED C-90 BLOCK f'm ≥ 1500 PSI	2"	2 1/2"
D	5/16" ITW TAPCON	GROUT FILLED C-90 BLOCK f'm ≥ 2000 PSI	4"	2 1/4"
E	#14 ELCO DRIL-FLEX SELF DRILLING SCREW	MIN 1/4" 6063-T6 ALUM. A36 3/16" STEEL	1/2" 3/8"	3 THREADS PENETRATION
F	5/16" ELCO Ultracon	MIN. SG = 0.55 WOOD	1 1/2"	2"

PREPARED BY:



BUILDING DROPS, INC.
398 E. DANIA BEACH BLVD., STE. 338
DANIA BEACH, FL 33004
PH: (954)399-8478
FAX: (954)744.4738
WEB: www.buildingdrops.com

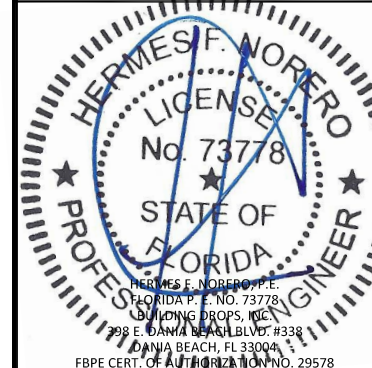
TITLE:
MAGNATRACK HURRICANE SYSTEM
TYP. HORIZONTAL SECTION - INSET
MOUNT



5350 PINKNEY AVE,
SARASOTA, FLORIDA 34233
PH: 866-802-0400

REMARKS	BY	DATE
NEW TESTING UPDATE	SM	12/9/20

THE INSTALLATION DETAILS DESCRIBED HEREIN ARE GENERIC AND MAY NOT REFLECT ACTUAL CONDITIONS FOR A SPECIFIC SITE. IF SITE CONDITIONS CAUSE INSTALLATION TO DEVIATE FROM THE REQUIREMENTS DETAILED HEREIN, A LICENSED ENGINEER OR ARCHITECT SHALL PREPARE SITE SPECIFIC DOCUMENTS FOR USE WITH THIS DOCUMENT.



FL30798

DATE: **10.15.19**
DWG. BY: **SM/AR** | CHK. BY: **HFN**
SCALE: **NTS**
DWG. #: **PRG003**
SHEET: **10** OF 29

10

PREPARED BY:



BUILDING DROPS, INC.
 398 E. DANIA BEACH BLVD., STE. 338
 DANIA BEACH, FL 33004
 PH: (954)399-8478
 FAX: (954)744.4738
 WEB: www.buildingdrops.com

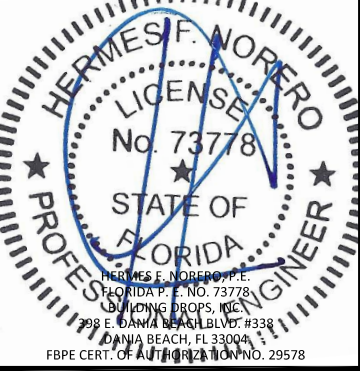
TITLE:
 MAGNATRACK HURRICANE SYSTEM
 HORIZONTAL SECTION / ANCHOR
 SCHEDULE - INSET MOUNT



5350 PINKNEY AVE,
 SARASOTA, FLORIDA 34233
 PH: 866-802-0400

REMARKS	BY	DATE
NEW TESTING UPDATE	SM	12/9/20

THE INSTALLATION DETAILS DESCRIBED HEREIN ARE GENERIC AND MAY NOT REFLECT ACTUAL CONDITIONS FOR A SPECIFIC SITE. IF SITE CONDITIONS CAUSE INSTALLATION TO DEVIATE FROM THE REQUIREMENTS DETAILED HEREIN, A LICENSED ENGINEER OR ARCHITECT SHALL PREPARE SITE SPECIFIC DOCUMENTS FOR USE WITH THIS DOCUMENT.

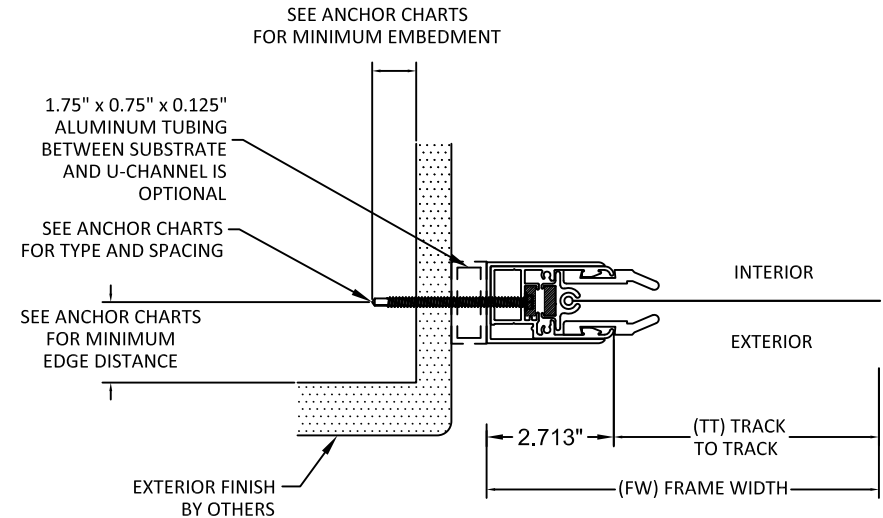


FL30798

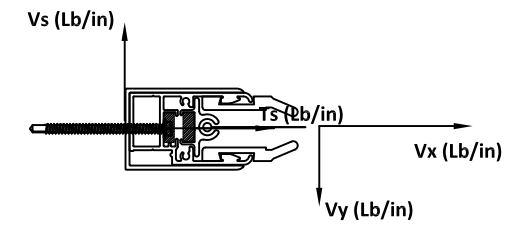
DATE:	10.15.19
DWG. BY:	SM/AR
CHK. BY:	HFN
SCALE:	NTS
DWG. #:	PRG003
SHEET:	OF 29

11

TYPICAL HORIZONTAL SECTIONS INSET MOUNT



A
11
HORIZONTAL SECTION
 MOUNT TYPE 3
 INSET MOUNT
 *WITH END RETENTION



CONTRACTOR TO VERIFY ADEQUACY OF STRUCTURE
 NOTE: LOADS Vy AND Vx ARE LOADS IMPOSED BY TRACK ON HOUSING. LOADS Ts AND Vs ARE LOADS IMPOSED ON STRUCTURE BY ANCHORS.
 NOTE: Ts AND Vs VALUES ARE TOTAL LOAD APPLIED BY BOTH SCREWS.

TABLE 4 - ANCHOR SPACING						ANCHOR TYPE & SPACING U CHANNEL INSET - MOUNT 3					
FW	DP	Vx	Vy	Vs	Ts	A	B	C	D	E	F
35	0.00	8.75	8.75	27.65	6	6	6	6	6	6	6
40	63.99	10.00	10.00	94.45	6	6	6	6	6	6	6
45	63.99	11.25	11.25	98.40	6	6	6	6	6	6	6
50	63.99	12.50	12.50	102.35	6	6	6	6	6	6	6
55	63.99	13.75	13.75	106.30	6	6	6	6	6	6	6
60	63.99	15.00	15.00	110.25	6	6	6	6	6	6	6
65	63.99	16.25	16.25	114.20	6	6	6	6	6	6	6
66.7	63.99	16.68	16.68	115.54	6	6	6	6	6	6	6
70	63.99	17.50	17.50	118.15	6	6	6	6	6	6	6
75	63.99	18.75	18.75	122.10	6	6	6	6	6	6	6
80	63.99	20.00	20.00	126.05	6	6	6	6	6	6	6
85	63.99	21.25	21.25	130.00	6	6	6	6	6	6	6
90	63.99	22.50	22.50	133.95	6	6	6	6	6	6	6
95	63.99	23.75	23.75	137.90	6	6	6	6	6	6	6
100	63.99	25.00	25.00	141.85	6	6	6	6	6	6	6
105	63.99	26.25	26.25	145.80	6	6	6	6	6	6	6
110	63.99	27.50	27.50	149.75	6	6	6	6	6	6	6
115	63.99	28.75	28.75	153.70	6	6	6	6	6	6	6
120	63.99	30.00	30.00	157.65	6	6	6	6	6	6	6
125	63.99	31.25	31.25	161.60	6	6	6	6	6	6	6
130	63.99	32.50	32.50	165.55	6	6	6	6	6	6	6
135	63.99	33.75	33.75	169.50	6	6	6	6	6	6	6
140	63.99	35.00	35.00	173.45	6	6	6	6	6	6	6
145	63.99	36.25	36.25	177.39	6	6	6	6	6	6	6
150	63.99	37.50	37.50	181.34	6	6	6	6	6	6	6
155	63.99	38.75	38.75	185.29	6	6	6	6	6	6	6
160	63.99	40.00	40.00	189.24	6	6	6	6	6	6	6
165	63.99	41.25	41.25	193.19	6	6	6	6	6	6	6
170	63.99	42.50	42.50	197.14	6	6	6	6	6	6	6
175	63.99	43.75	43.75	201.09	6	6	5	6	6	6	6
180	63.99	45.00	45.00	205.04	6	6	5	6	6	6	6
185	63.99	46.25	46.25	208.99	6	6	5	6	6	6	6
190	63.99	47.50	47.50	212.94	6	6	5	6	6	6	6
195	63.99	48.75	48.75	216.89	6	6	5	6	6	6	6
200	63.99	50.00	50.00	220.84	6	6	5	6	6	6	6
35	73.40	10.21	10.21	104.35	6	6	6	6	6	6	6
40	73.40	11.67	11.67	108.96	6	6	6	6	6	6	6
45	73.40	13.13	13.13	113.57	6	6	6	6	6	6	6
50	73.40	14.58	14.58	118.18	6	6	6	6	6	6	6
55	73.40	16.04	16.04	122.78	6	6	6	6	6	6	6
60	73.40	17.50	17.50	127.39	6	6	6	6	6	6	6
65	73.40	18.96	18.96	132.00	6	6	6	6	6	6	6
66.7	73.40	19.45	19.45	133.57	6	6	6	6	6	6	6
70	73.40	20.42	20.42	136.61	6	6	6	6	6	6	6
75	73.40	21.88	21.88	141.22	6	6	6	6	6	6	6
80	73.40	23.33	23.33	145.82	6	6	6	6	6	6	6
85	73.40	24.79	24.79	150.43	6	6	6	6	6	6	6
90	73.40	26.25	26.25	155.04	6	6	6	6	6	6	6
95	73.40	27.71	27.71	159.65	6	6	6	6	6	6	6
100	73.40	29.17	29.17	164.26	6	6	6	6	6	6	6
105	73.40	30.63	30.63	168.86	6	6	6	6	6	6	6
110	73.40	32.08	32.08	173.47	6	6	6	6	6	6	6
115	73.40	33.54	33.54	178.08	6	6	6	6	6	6	6
120	73.40	35.00	35.00	182.69	6	6	6	6	6	6	6
125	73.40	36.46	36.46	187.30	6	6	6	6	6	6	6
130	73.40	37.92	37.92	191.90	6	6	6	6	6	6	6
135	73.40	39.38	39.38	196.51	6	6	6	6	6	6	6
140	73.40	40.83	40.83	201.12	6	6	6	6	6	6	6
145	73.40	42.29	42.29	205.73	6	6	5	6	6	6	6
150	73.40	43.75	43.75	210.34	6	6	5	6	6	6	6
155	73.40	45.21	45.21	214.94	6	6	5	6	6	6	6
160	73.40	46.67	46.67	219.55	6	6	5	6	6	6	6
165	73.40	48.13	48.13	224.16	6	6	5	6	6	6	6
170	73.40	49.58	49.58	228.77	6	6	4	6	6	6	6
175	73.40	51.04	51.04	233.38	6	6	4	6	6	6	5
180	73.40	52.50	52.50	237.98	6	6	4	6	6	6	5
185	73.40	53.96	53.96	242.59	6	6	4	5	6	6	5

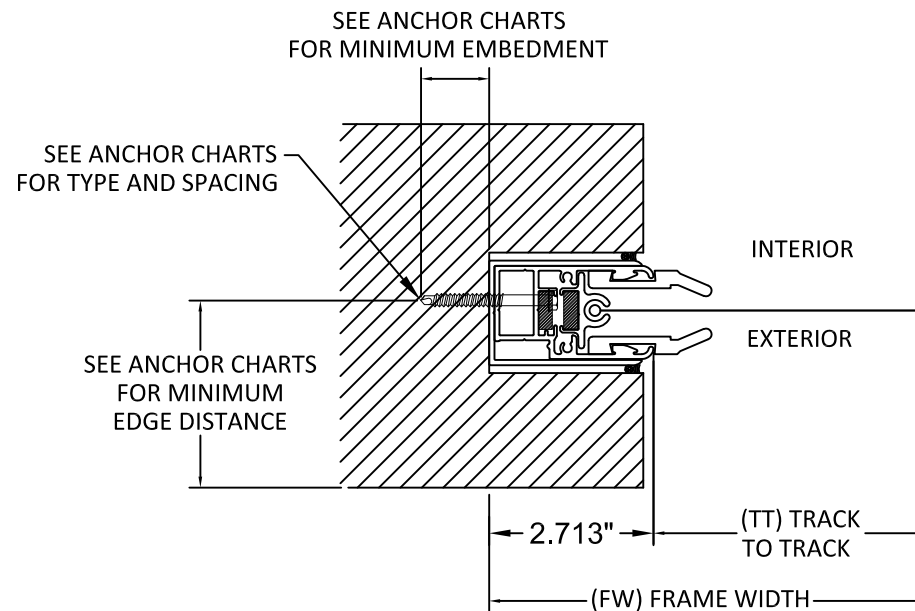
s:\projects\progressive screens\fb-20-0411.2-fbc-submittal-1130798 magnatrack fabric roll shutter-new profile\dwg\p03 hvhz fabric rolldown submittal.dwg 12/17/2020 6:27 PM

TABLE 4 - ANCHOR SPACING						ANCHOR TYPE & SPACING U CHANNEL INSET - MOUNT 3					
FW	DP	Vx	Vy	Vs	Ts	A	B	C	D	E	F
96	35	81.46	11.67	11.67	116.87	6	6	6	6	6	6
	40	81.46	13.33	13.33	122.14	6	6	6	6	6	6
	45	81.46	15.00	15.00	127.41	6	6	6	6	6	6
	50	81.46	16.67	16.67	132.67	6	6	6	6	6	6
	55	81.46	18.33	18.33	137.94	6	6	6	6	6	6
	60	81.46	20.00	20.00	143.20	6	6	6	6	6	6
	65	81.46	21.67	21.67	148.47	6	6	6	6	6	6
	66.7	81.46	22.23	22.23	150.26	6	6	6	6	6	6
	70	81.46	23.33	23.33	153.74	6	6	6	6	6	6
	75	81.46	25.00	25.00	159.00	6	6	6	6	6	6
	80	81.46	26.67	26.67	164.27	6	6	6	6	6	6
	85	81.46	28.33	28.33	169.54	6	6	6	6	6	6
	90	81.46	30.00	30.00	174.80	6	6	6	6	6	6
	95	81.46	31.67	31.67	180.07	6	6	6	6	6	6
	100	81.46	33.33	33.33	185.34	6	6	6	6	6	6
	105	81.46	35.00	35.00	190.60	6	6	6	6	6	6
	110	81.46	36.67	36.67	195.87	6	6	6	6	6	6
115	81.46	38.33	38.33	201.13	6	6	6	6	6	6	
120	81.46	40.00	40.00	206.40	6	6	5	6	6	6	
125	81.46	41.67	41.67	211.67	6	6	5	6	6	6	
130	81.46	43.33	43.33	216.93	6	6	5	6	6	6	
135	81.46	45.00	45.00	222.20	6	6	5	6	6	6	
140	81.46	46.67	46.67	227.47	6	6	4	6	6	6	
145	81.46	48.33	48.33	232.73	6	6	4	6	6	6	
150	81.46	50.00	50.00	238.00	6	6	4	6	6	5	
155	81.46	51.67	51.67	243.26	6	6	4	5	6	5	
160	81.46	53.33	53.33	248.53	6	6	4	5	6	5	
165	81.46	55.00	55.00	253.80	6	6	4	5	6	5	
170	81.46	56.67	56.67	259.06	6	5	3	5	6	5	
175	81.46	58.33	58.33	264.33	6	5	3	5	6	4	
108	35	88.08	13.13	13.13	127.99	6	6	6	6	6	6
	40	88.08	15.00	15.00	133.92	6	6	6	6	6	6
	45	88.08	16.88	16.88	139.84	6	6	6	6	6	6
	50	88.08	18.75	18.75	145.77	6	6	6	6	6	6
	55	88.08	20.63	20.63	151.69	6	6	6	6	6	6
	60	88.08	22.50	22.50	157.62	6	6	6	6	6	6
	65	88.08	24.38	24.38	163.54	6	6	6	6	6	6
	66.7	88.08	25.01	25.01	165.55	6	6	6	6	6	6
	70	88.08	26.25	26.25	169.46	6	6	6	6	6	6
	75	88.08	28.13	28.13	175.39	6	6	6	6	6	6
	80	88.08	30.00	30.00	181.31	6	6	6	6	6	6
	85	88.08	31.88	31.88	187.24	6	6	6	6	6	6
	90	88.08	33.75	33.75	193.16	6	6	6	6	6	6
	95	88.08	35.63	35.63	199.09	6	6	6	6	6	6
	100	88.08	37.50	37.50	205.01	6	6	6	6	6	6
	105	88.08	39.38	39.38	210.94	6	6	5	6	6	6
	110	88.08	41.25	41.25	216.86	6	6	5	6	6	6
115	88.08	43.13	43.13	222.79	6	6	5	6	6	6	
120	88.08	45.00	45.00	228.71	6	6	4	6	6	6	
125	88.08	46.88	46.88	234.63	6	6	4	6	6	6	
130	88.08	48.75	48.75	240.56	6	6	4	6	6	5	
135	88.08	50.63	50.63	246.48	6	6	4	5	6	5	
140	88.08	52.50	52.50	252.41	6	6	4	5	6	5	
145	88.08	54.38	54.38	258.33	6	5	3	5	6	5	
150	88.08	56.25	56.25	264.26	6	5	3	5	6	4	
155	88.08	58.13	58.13	270.18	6	5	3	5	6	4	
160	88.08	60.00	60.00	276.11	6	5	3	4	6	4	
165	88.08	61.88	61.88	282.03	6	5	3	4	6	4	

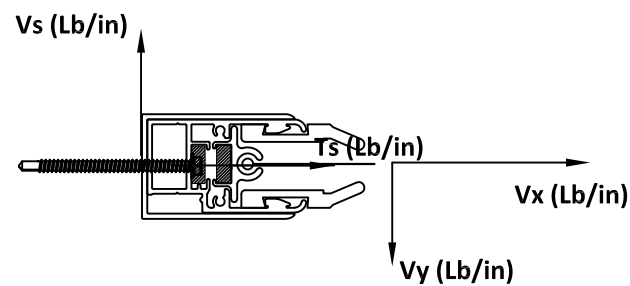
TABLE 4 - ANCHOR SPACING						ANCHOR TYPE & SPACING U CHANNEL INSET - MOUNT 3					
FW	DP	Vx	Vy	Vs	Ts	A	B	C	D	E	F
120	35	93.24	14.58	14.58	137.66	6	6	6	6	6	6
	40	93.24	16.67	16.67	144.24	6	6	6	6	6	6
	45	93.24	18.75	18.75	150.83	6	6	6	6	6	6
	50	93.24	20.83	20.83	157.41	6	6	6	6	6	6
	55	93.24	22.92	22.92	163.99	6	6	6	6	6	6
	60	93.24	25.00	25.00	170.57	6	6	6	6	6	6
	65	93.24	27.08	27.08	177.16	6	6	6	6	6	6
	66.7	93.24	27.79	27.79	179.40	6	6	6	6	6	6
	70	93.24	29.17	29.17	183.74	6	6	6	6	6	6
	75	93.24	31.25	31.25	190.32	6	6	6	6	6	6
	80	93.24	33.33	33.33	196.91	6	6	6	6	6	6
	85	93.24	35.42	35.42	203.49	6	6	6	6	6	6
	90	93.24	37.50	37.50	210.07	6	6	5	6	6	6
	95	93.24	39.58	39.58	216.65	6	6	5	6	6	6
	100	93.24	41.67	41.67	223.24	6	6	5	6	6	6
	105	93.24	43.75	43.75	229.82	6	6	4	6	6	6
	110	93.24	45.83	45.83	236.40	6	6	4	6	6	5
115	93.24	47.92	47.92	242.99	6	6	4	6	6	5	
120	93.24	50.00	50.00	249.57	6	6	4	5	6	5	
132	125	93.24	52.08	52.08	256.15	6	6	4	5	6	5
	130	93.24	54.17	54.17	262.73	6	5	3	5	6	4
	135	93.24	56.25	56.25	269.32	6	5	3	5	6	4
	140	93.24	58.33	58.33	275.90	6	5	3	4	6	4
	145	93.24	60.42	60.42	282.48	6	5	3	4	6	4
	35	96.87	16.04	16.04	145.84	6	6	6	6	6	6
	40	96.87	18.33	18.33	153.08	6	6	6	6	6	6
	45	96.87	20.63	20.63	160.32	6	6	6	6	6	6
	50	96.87	22.92	22.92	167.56	6	6	6	6	6	6
	55	96.87	25.21	25.21	174.80	6	6	6	6	6	6
	60	96.87	27.50	27.50	182.05	6	6	6	6	6	6
	65	96.87	29.79	29.79	189.29	6	6	6	6	6	6
	66.7	96.87	30.57	30.57	191.75	6	6	6	6	6	6
	70	96.87	32.08	32.08	196.53	6	6	6	6	6	6
	75	96.87	34.38	34.38	203.77	6	6	6	6	6	6
	80	96.87	36.67	36.67	211.01	6	6	5	6	6	6
	85	96.87	38.96	38.96	218.25	6	6	5	6	6	6
90	96.87	41.25	41.25	225.49	6	6	5	6	6	6	
95	96.87	43.54	43.54	232.73	6	6	4	6	6	6	
100	96.87	45.83	45.83	239.97	6	6	4	6	6	5	
105	96.87	48.13	48.13	247.22	6	6	4	5	6	5	
110	96.87	50.42	50.42	254.46	6	6	4	5	6	5	
115	96.87	52.71	52.71	261.70	6	5	3	5	6	5	
120	96.87	55.00	55.00	268.94	6	5	3	5	6	4	
125	96.87	57.29	57.29	276.18	6	5	3	4	6	4	
130	96.87	59.58	59.58	283.42	6	5	3	4	6	4	
135	96.87	61.88	61.88	290.66	6	4	3	4	6	4	
140	96.87	64.17	64.17	297.90	6	4	3	4	6	3	
144	35	98.97	17.50	17.50	152.51	6	6	6	6	6	6
	40	98.97	20.00	20.00	160.41	6	6	6	6	6	6
	45	98.97	22.50	22.50	168.31	6	6	6	6	6	6
	50	98.97	25.00	25.00	176.21	6	6	6	6	6	6
	55	98.97	27.50	27.50	184.10	6	6	6	6	6	6
	60	98.97	30.00	30.00	192.00	6	6	6	6	6	6
	65	98.97	32.50	32.50	199.90	6	6	6	6	6	6
	66.7	98.97	33.35	33.35	202.59	6	6	6	6	6	6
	70	98.97	35.00	35.00	207.80	6	6	6	6	6	6
	75	98.97	37.50	37.50	215.70	6	6	5	6	6	6
	80	98.97	40.00	40.00	223.60	6	6	5	6	6	6
	85	98.97	42.50	42.50	231.50	6	6	4	6	6	6
	90	98.97	45.00	45.00	239.40	6	6	4	6	6	5
	95	98.97	47.50	47.50	247.30	6	6	4	5	6	5
	100	98.97	50.00	50.00	255.20	6	6	4	5	6	5
	105	98.97	52.50	52.50	263.10	6	5	3	5	6	4
	110	98.97	55.00	55.00	271.00	6	5	3	5	6	4
115	98.97	57.50	57.50	278.90	6	5	3	4	6	4	
120	98.97	60.00	60.00	286.80	6	4	3	4	6	4	
125	98.97	62.50	62.50	294.70	6	4	3	4	6	4	
130	98.97	65.00	65.00	302.60	6	4	3	4	6	3	

TABLE 4 - ANCHOR SPACING						ANCHOR TYPE & SPACING U CHANNEL INSET - MOUNT 3					
FW	DP	Vx	Vy	Vs	Ts	A	B	C	D	E	F
168	35	98.47	20.42	20.42	161.23	6	6	6	6	6	6
	40	98.47	23.33	23.33	170.45	6	6	6	6	6	6
	45	98.47	26.25	26.25	179.67	6	6	6	6	6	6
	50	98.47	29.17	29.17	188.88	6	6				

TYPICAL HORIZONTAL SECTIONS RECESSED MOUNT



A 13 HORIZONTAL SECTION MOUNT TYPE 4 RECESSED MOUNT *WITH END RETENTION



CONTRACTOR TO VERIFY ADEQUACY OF STRUCTURE
NOTE: LOADS V_y AND V_x ARE LOADS IMPOSED BY TRACK ON HOUSING. LOADS T_s AND V_s ARE LOADS IMPOSED ON STRUCTURE BY ANCHORS.

SEE SHEETS 14 & 15 FOR ANCHOR SPACING TABLES

ANCHOR SCHEDULE:

ANCHOR	DESCRIPTION	MATERIAL	EDGE DISTANCE	EMBEDMENT
A	3/8" POWERS WEDGE BOLT	MIN. 3000 PSI CONCRETE	3 3/4"	3 1/2"
B	5/16" ITW TAPCON	MIN. 3000 PSI CONCRETE	2 3/16"	2 1/4"
C	3/8" POWERS WEGDE BOLT	GROUT FILLED C-90 BLOCK $f'm \geq 1500$ PSI	2"	2 1/2"
D	5/16" ITW TAPCON	GROUT FILLED C-90 BLOCK $f'm \geq 2000$ PSI	4"	2 1/4"
E	#14 ELCO DRIL-FLEX SELF DRILLING SCREW	MIN 1/4" 6063-T6 ALUM.	1/2"	3 THREADS PENETRATION
		A36 3/16" STEEL	3/8"	
F	5/16" ELCO Ultracon	MIN. SG = 0.55 WOOD	1 1/2"	2"

PREPARED BY:



BUILDING DROPS, INC.
398 E. DANIA BEACH BLVD., STE. 338
DANIA BEACH, FL 33004
PH: (954)399-8478
FAX: (954)744.4738
WEB: www.buildingdrops.com

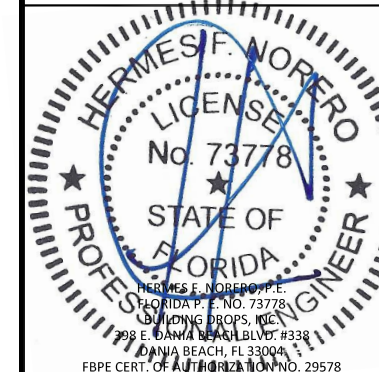
TITLE:
MAGNATRACK HURRICANE SYSTEM
HORIZONTAL SECTION / ANCHOR
SCHEDULE - RECESSED MOUNT



5350 PINKNEY AVE,
SARASOTA, FLORIDA 34233
PH: 866-802-0400

REMARKS	BY	DATE
NEW TESTING UPDATE	SM	12/9/20

THE INSTALLATION DETAILS DESCRIBED HEREIN ARE GENERIC AND MAY NOT REFLECT ACTUAL CONDITIONS FOR A SPECIFIC SITE. IF SITE CONDITIONS CAUSE INSTALLATION TO DEVIATE FROM THE REQUIREMENTS DETAILED HEREIN, A LICENSED ENGINEER OR ARCHITECT SHALL PREPARE SITE SPECIFIC DOCUMENTS FOR USE WITH THIS DOCUMENT.



FL30798

DATE: 10.15.19

DWG. BY: SM/AR
CHK. BY: HFN

SCALE: NTS

DWG. #: PRG003

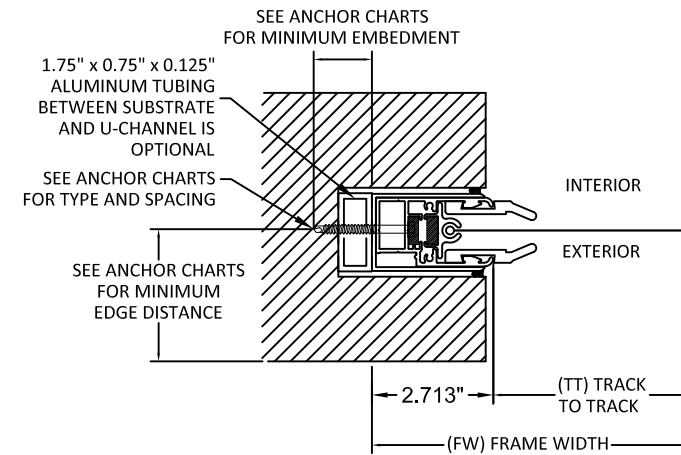
SHEET: OF 29

13

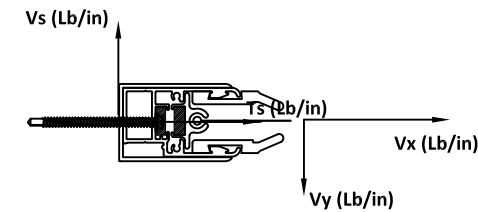
12/17/2020 6:27 PM
s:\projects\progressive screens\fb-20-0411.2-fbc-submittal-150798 magnatrack fabric roll shutter-new profile\dwg\p03 hvhz fabric rolldown submittal.dwg

TABLE 4 - ANCHOR SPACING						ANCHOR TYPE & SPACING RECESSED MOUNT - MOUNT 4					
FW	DP	Vx	Vy	Vs	Ts	A	B	C	D	E	F
72	35	63.99	8.75	8.75	94.85	6	6	6	6	6	6
	40	63.99	10.00	10.00	99.26	6	6	6	6	6	6
	45	63.99	11.25	11.25	103.67	6	6	6	6	6	6
	50	63.99	12.50	12.50	108.08	6	6	6	6	6	6
	55	63.99	13.75	13.75	112.49	6	6	6	6	6	6
	60	63.99	15.00	15.00	116.90	6	6	6	6	6	6
	65	63.99	16.25	16.25	121.30	6	6	6	6	6	6
	66.7	63.99	16.68	16.68	122.80	6	6	6	6	6	6
	70	63.99	17.50	17.50	125.71	6	6	6	6	6	6
	75	63.99	18.75	18.75	130.12	6	6	6	6	6	6
	80	63.99	20.00	20.00	134.53	6	6	6	6	6	6
	85	63.99	21.25	21.25	138.94	6	6	6	6	6	6
	90	63.99	22.50	22.50	143.35	6	6	6	6	6	6
	95	63.99	23.75	23.75	147.76	6	6	6	6	6	6
	100	63.99	25.00	25.00	152.17	6	6	6	6	6	6
	105	63.99	26.25	26.25	156.58	6	6	6	6	6	6
	110	63.99	27.50	27.50	160.98	6	6	6	6	6	6
	115	63.99	28.75	28.75	165.39	6	6	6	6	6	6
	120	63.99	30.00	30.00	169.80	6	6	6	6	6	6
	125	63.99	31.25	31.25	174.21	6	6	6	6	6	6
130	63.99	32.50	32.50	178.62	6	6	6	6	6	6	
135	63.99	33.75	33.75	183.03	6	6	6	6	6	6	
140	63.99	35.00	35.00	187.44	6	6	6	6	6	6	
145	63.99	36.25	36.25	191.85	6	6	6	6	6	6	
150	63.99	37.50	37.50	196.25	6	6	6	6	6	6	
155	63.99	38.75	38.75	200.66	6	6	6	6	6	6	
160	63.99	40.00	40.00	205.07	6	6	5	6	6	6	
165	63.99	41.25	41.25	209.48	6	6	5	6	6	6	
170	63.99	42.50	42.50	213.89	6	6	5	6	6	6	
175	63.99	43.75	43.75	218.30	6	6	5	6	6	6	
180	63.99	45.00	45.00	222.71	6	6	5	6	6	6	
185	63.99	46.25	46.25	227.12	6	6	4	6	6	6	
190	63.99	47.50	47.50	231.53	6	6	4	6	6	6	
195	63.99	48.75	48.75	235.93	6	6	4	6	6	5	
200	63.99	50.00	50.00	240.34	6	6	4	6	6	5	
84	35	73.40	10.21	10.21	109.40	6	6	6	6	6	6
	40	73.40	11.67	11.67	114.55	6	6	6	6	6	6
	45	73.40	13.13	13.13	119.69	6	6	6	6	6	6
	50	73.40	14.58	14.58	124.84	6	6	6	6	6	6
	55	73.40	16.04	16.04	129.98	6	6	6	6	6	6
	60	73.40	17.50	17.50	135.12	6	6	6	6	6	6
	65	73.40	18.96	18.96	140.27	6	6	6	6	6	6
	66.7	73.40	19.45	19.45	142.02	6	6	6	6	6	6
	70	73.40	20.42	20.42	145.41	6	6	6	6	6	6
	75	73.40	21.88	21.88	150.55	6	6	6	6	6	6
	80	73.40	23.33	23.33	155.70	6	6	6	6	6	6
	85	73.40	24.79	24.79	160.84	6	6	6	6	6	6
	90	73.40	26.25	26.25	165.98	6	6	6	6	6	6
	95	73.40	27.71	27.71	171.13	6	6	6	6	6	6
	100	73.40	29.17	29.17	176.27	6	6	6	6	6	6
	105	73.40	30.63	30.63	181.42	6	6	6	6	6	6
	110	73.40	32.08	32.08	186.56	6	6	6	6	6	6
	115	73.40	33.54	33.54	191.70	6	6	6	6	6	6
	120	73.40	35.00	35.00	196.85	6	6	6	6	6	6
	125	73.40	36.46	36.46	201.99	6	6	6	6	6	6
130	73.40	37.92	37.92	207.13	6	6	5	6	6	6	
135	73.40	39.38	39.38	212.28	6	6	5	6	6	6	
140	73.40	40.83	40.83	217.42	6	6	5	6	6	6	
145	73.40	42.29	42.29	222.56	6	6	5	6	6	6	
150	73.40	43.75	43.75	227.71	6	6	5	6	6	6	
155	73.40	45.21	45.21	232.85	6	6	4	6	6	6	
160	73.40	46.67	46.67	238.00	6	6	4	6	6	5	
165	73.40	48.13	48.13	243.14	6	6	4	6	6	5	
170	73.40	49.58	49.58	248.28	6	6	4	5	6	5	
175	73.40	51.04	51.04	253.43	6	6	4	5	6	5	
180	73.40	52.50	52.50	258.57	6	5	4	5	6	5	
185	73.40	53.96	53.96	263.71	6	5	3	5	6	4	

TYPICAL HORIZONTAL SECTIONS RECESSED MOUNT



A
14
HORIZONTAL SECTION
MOUNT TYPE 4
RECESSED MOUNT
***WITH END RETENTION**



CONTRACTOR TO VERIFY ADEQUACY OF STRUCTURE
NOTE: LOADS Vy AND Vx ARE LOADS IMPOSED BY TRACK ON HOUSING. LOADS Ts AND Vs ARE LOADS IMPOSED ON STRUCTURE BY ANCHORS.

PREPARED BY:



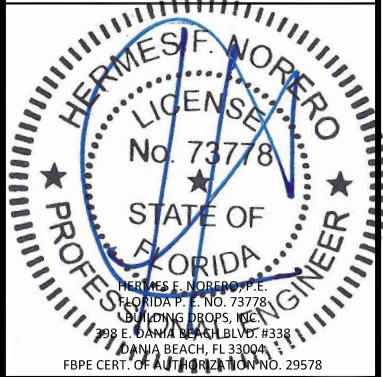
BUILDING DROPS, INC.
398 E. DANIA BEACH BLVD., STE. 338
DANIA BEACH, FL 33004
PH: (954)399-8478
FAX: (954)744.4738
WEB: www.buildingdrops.com

MAGNATRACK HURRICANE SYSTEM
HORIZONTAL SECTION / ANCHOR
SCHEDULE - RECESSED MOUNT

Progressive
5350 PINKNEY AVE,
SARASOTA, FLORIDA 34233
PH: 866-802-0400

REMARKS	BY	DATE
NEW TESTING UPDATE	SM	12/9/20

THE INSTALLATION DETAILS DESCRIBED HEREIN ARE GENERIC AND MAY NOT REFLECT ACTUAL CONDITIONS FOR A SPECIFIC SITE. IF SITE CONDITIONS CAUSE INSTALLATION TO DEVIATE FROM THE REQUIREMENTS DETAILED HEREIN, A LICENSED ENGINEER OR ARCHITECT SHALL PREPARE SITE SPECIFIC DOCUMENTS FOR USE WITH THIS DOCUMENT.



FL30798

DATE:	10.15.19
DWG. BY:	SM/AR
CHK. BY:	HFN
SCALE:	NTS
DWG. #:	PRG003
SHEET:	OF 29

14

s:\projects\progressive\fb-20-0411.2-fbc-submittal-1150798 magnatrack fabric roll shutter-new profile\dwg\pgr003 hvz fabric roll-down submittal.dwg 12/17/2020 6:27 PM

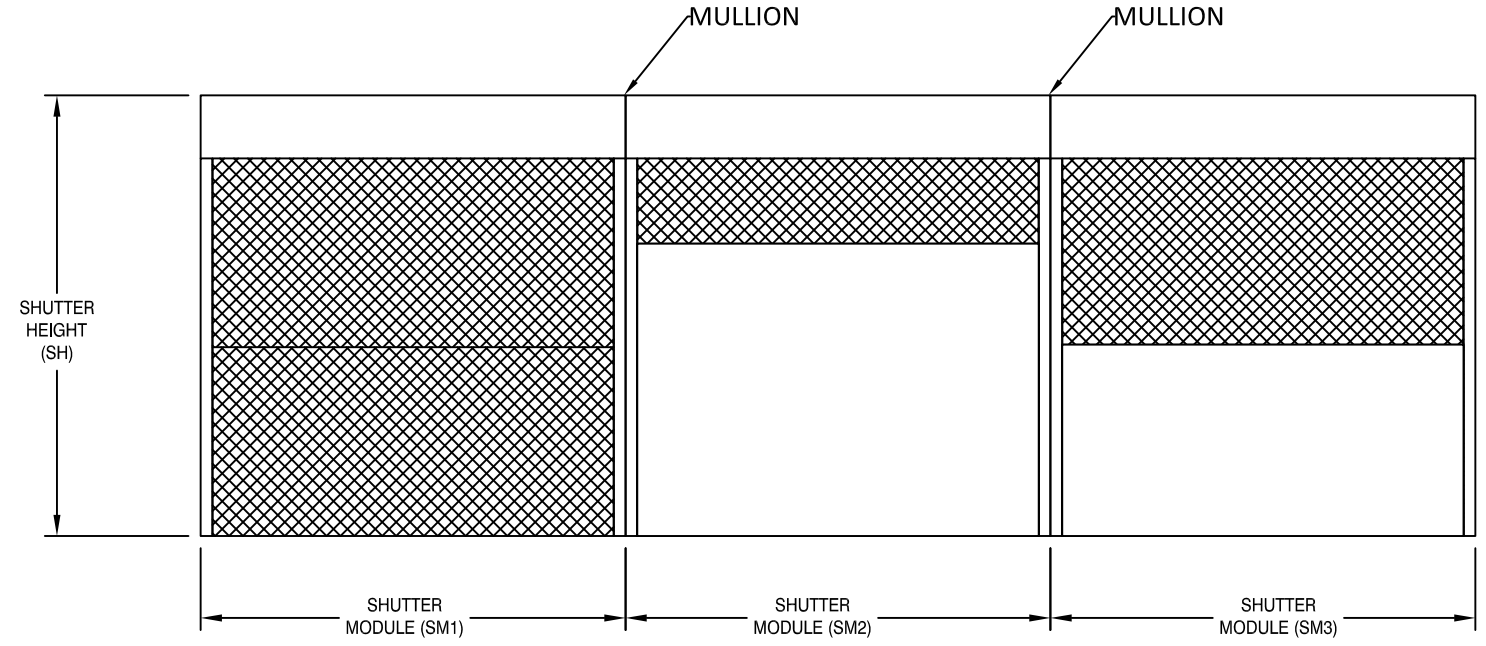
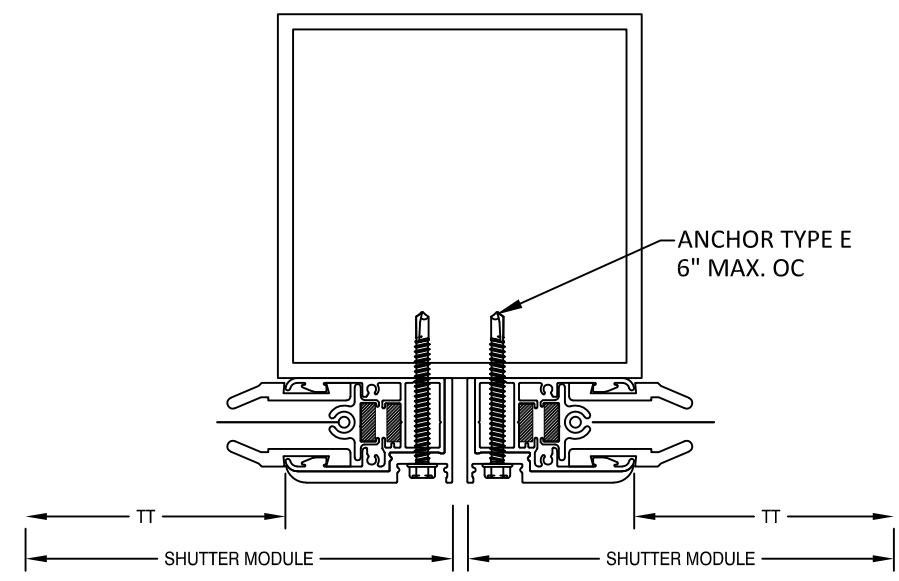
TABLE 4 - ANCHOR SPACING						ANCHOR TYPE & SPACING RECESSED MOUNT - MOUNT 4					
FW	DP	Vx	Vy	Vs	Ts	A	B	C	D	E	F
96	35	81.46	11.67	11.67	122.60	6	6	6	6	6	6
	40	81.46	13.33	13.33	128.48	6	6	6	6	6	6
	115	96.87	52.71	52.71	282.78	6	5	3	4	6	4
	50	81.46	16.67	16.67	140.24	6	6	6	6	6	6
	55	81.46	18.33	18.33	146.12	6	6	6	6	6	6
	60	81.46	20.00	20.00	152.00	6	6	6	6	6	6
	65	81.46	21.67	21.67	157.88	6	6	6	6	6	6
	66.7	81.46	22.23	22.23	159.87	6	6	6	6	6	6
	70	81.46	23.33	23.33	163.75	6	6	6	6	6	6
	75	81.46	25.00	25.00	169.63	6	6	6	6	6	6
	80	81.46	26.67	26.67	175.51	6	6	6	6	6	6
	85	81.46	28.33	28.33	181.39	6	6	6	6	6	6
	90	81.46	30.00	30.00	187.27	6	6	6	6	6	6
	95	81.46	31.67	31.67	193.15	6	6	6	6	6	6
	100	81.46	33.33	33.33	199.02	6	6	6	6	6	6
	105	81.46	35.00	35.00	204.90	6	6	6	6	6	6
	110	81.46	36.67	36.67	210.78	6	6	5	6	6	6
115	81.46	38.33	38.33	216.66	6	6	5	6	6	6	
120	81.46	40.00	40.00	222.54	6	6	5	6	6	6	
125	81.46	41.67	41.67	228.42	6	6	5	6	6	6	
130	81.46	43.33	43.33	234.30	6	6	4	6	6	6	
135	81.46	45.00	45.00	240.17	6	6	4	6	6	5	
140	81.46	46.67	46.67	246.05	6	6	4	5	6	5	
145	81.46	48.33	48.33	251.93	6	6	4	5	6	5	
150	81.46	50.00	50.00	257.81	6	5	4	5	6	5	
155	81.46	51.67	51.67	263.69	6	5	3	5	6	4	
160	81.46	53.33	53.33	269.57	6	5	3	5	6	4	
165	81.46	55.00	55.00	275.45	6	5	3	4	6	4	
170	81.46	56.67	56.67	281.32	6	5	3	4	6	4	
175	81.46	58.33	58.33	287.20	6	4	3	4	6	4	
108	35	88.08	13.13	13.13	134.38	6	6	6	6	6	6
	40	88.08	15.00	15.00	140.99	6	6	6	6	6	6
	45	88.08	16.88	16.88	147.60	6	6	6	6	6	6
	50	88.08	18.75	18.75	154.22	6	6	6	6	6	6
	55	88.08	20.63	20.63	160.83	6	6	6	6	6	6
	60	88.08	22.50	22.50	167.44	6	6	6	6	6	6
	65	88.08	24.38	24.38	174.06	6	6	6	6	6	6
	66.7	88.08	25.01	25.01	176.31	6	6	6	6	6	6
	70	88.08	26.25	26.25	180.67	6	6	6	6	6	6
	75	88.08	28.13	28.13	187.28	6	6	6	6	6	6
	80	88.08	30.00	30.00	193.90	6	6	6	6	6	6
	85	88.08	31.88	31.88	200.51	6	6	6	6	6	6
	90	88.08	33.75	33.75	207.12	6	6	6	6	6	6
	95	88.08	35.63	35.63	213.74	6	6	5	6	6	6
	100	88.08	37.50	37.50	220.35	6	6	5	6	6	6
	105	88.08	39.38	39.38	226.96	6	6	5	6	6	6
	110	88.08	41.25	41.25	233.58	6	6	4	6	6	6
115	88.08	43.13	43.13	240.19	6	6	4	6	6	5	
120	88.08	45.00	45.00	246.80	6	6	4	5	6	5	
125	88.08	46.88	46.88	253.42	6	6	4	5	6	5	
130	88.08	48.75	48.75	260.03	6	5	4	5	6	5	
135	88.08	50.63	50.63	266.64	6	5	3	5	6	4	
140	88.08	52.50	52.50	273.26	6	5	3	4	6	4	
145	88.08	54.38	54.38	279.87	6	5	3	4	6	4	
150	88.08	56.25	56.25	286.48	6	4	3	4	6	4	
155	88.08	58.13	58.13	293.10	6	4	3	4	6	4	
160	88.08	60.00	60.00	299.71	6	4	3	4	6	4	
165	88.08	61.88	61.88	306.32	6	4	3	4	6	3	

TABLE 4 - ANCHOR SPACING						ANCHOR TYPE & SPACING RECESSED MOUNT - MOUNT 4					
FW	DP	Vx	Vy	Vs	Ts	A	B	C	D	E	F
120	35	93.24	14.58	14.58	144.67	6	6	6	6	6	6
	40	93.24	16.67	16.67	152.02	6	6	6	6	6	6
	45	93.24	18.75	18.75	159.37	6	6	6	6	6	6
	50	93.24	20.83	20.83	166.72	6	6	6	6	6	6
	55	93.24	22.92	22.92	174.06	6	6	6	6	6	6
	60	93.24	25.00	25.00	181.41	6	6	6	6	6	6
	65	93.24	27.08	27.08	188.76	6	6	6	6	6	6
	66.7	93.24	27.79	27.79	191.26	6	6	6	6	6	6
	70	93.24	29.17	29.17	196.11	6	6	6	6	6	6
	75	93.24	31.25	31.25	203.46	6	6	6	6	6	6
	80	93.24	33.33	33.33	210.80	6	6	6	6	6	6
	85	93.24	35.42	35.42	218.15	6	6	5	6	6	6
	90	93.24	37.50	37.50	225.50	6	6	5	6	6	6
	95	93.24	39.58	39.58	232.85	6	6	5	6	6	6
	100	93.24	41.67	41.67	240.20	6	6	4	6	6	5
	105	93.24	43.75	43.75	247.54	6	6	4	5	6	5
	110	93.24	45.83	45.83	254.89	6	6	4	5	6	5
115	93.24	47.92	47.92	262.24	6	5	4	5	6	5	
120	93.24	50.00	50.00	269.59	6	5	3	5	6	4	
125	93.24	52.08	52.08	276.94	6	5	3	4	6	4	
130	93.24	54.17	54.17	284.29	6	5	3	4	6	4	
135	93.24	56.25	56.25	291.63	6	4	3	4	6	4	
140	93.24	58.33	58.33	298.98	6	4	3	4	6	4	
145	93.24	60.42	60.42	306.33	6	4	3	4	6	3	
132	35	96.87	16.04	16.04	153.45	6	6	6	6	6	6
	40	96.87	18.33	18.33	161.53	6	6	6	6	6	6
	45	96.87	20.63	20.63	169.62	6	6	6	6	6	6
	50	96.87	22.92	22.92	177.70	6	6	6	6	6	6
	55	96.87	25.21	25.21	185.78	6	6	6	6	6	6
	60	96.87	27.50	27.50	193.87	6	6	6	6	6	6
	65	96.87	29.79	29.79	201.95	6	6	6	6	6	6
	66.7	96.87	30.57	30.57	204.70	6	6	6	6	6	6
	70	96.87	32.08	32.08	210.03	6	6	6	6	6	6
	75	96.87	34.38	34.38	218.11	6	6	5	6	6	6
	80	96.87	36.67	36.67	226.20	6	6	5	6	6	6
	85	96.87	38.96	38.96	234.28	6	6	4	6	6	6
	90	96.87	41.25	41.25	242.36	6	6	4	6	6	5
	95	96.87	43.54	43.54	250.45	6	6	4	5	6	5
	100	96.87	45.83	45.83	258.53	6	5	4	5	6	5
	105	96.87	48.13	48.13	266.61	6	5	3	5	6	4
	110	96.87	50.42	50.42	274.70	6	5	3	4	6	4
115	96.87	52.71	52.71	282.78	6	5	3	4	6	4	
120	96.87	55.00	55.00	290.86	6	4	3	4	6	4	
125	96.87	57.29	57.29	298.94	6	4	3	4	6	4	
130	96.87	59.58	59.58	307.03	6	4	3	4	6	3	
135	96.87	61.88	61.88	315.11	6	4	2	3	6	3	
140	96.87	64.17	64.17	323.19	6	4	2	3	6	3	
144	35	98.97	17.50	17.50	160.69	6	6	6	6	6	6
	40	98.97	20.00	20.00	169.51	6	6	6	6	6	6
	45	98.97	22.50	22.50	178.33	6	6	6	6	6	6
	50	98.97	25.00	25.00	187.14	6	6	6	6	6	6
	55	98.97	27.50	27.50	195.96	6	6	6	6	6	6
	60	98.97	30.00	30.00	204.78	6	6	6	6	6	6
	65	98.97	32.50	32.50	213.60	6	6	5	6	6	6
	66.7	98.97	33.35	33.35	216.60	6	6	5	6	6	6
	70	98.97	35.00	35.00	222.42	6	6	5	6	6	6
	75	98.97	37.50	37.50	231.23	6	6	5	6	6	6
	80	98.97	40.00	40.00	240.05	6	6	4	6	6	5
	85	98.97	42.50	42.50	248.87	6	6	4	5	6	5
	90	98.97	45.00	45.00	257.69	6	6	4	5	6	5
	95	98.97	47.50	47.50	266.50	6	5	3	5	6	4
	100	98.97	50.00	50.00	275.32	6	5	3	4	6	4
	105	98.97	52.50	52.50	284.14	6	5	3	4	6	4
	110	98.97	55.00	55.00	292.96	6	4	3	4	6	4
115	98.97	57.50	57.50	301.77	6	4	3	4	6	3	
120	98.97	60.00	60.00	310.59	6	4	3	4	6	3	
125	98.97	62.50	62.50	319.41	6	4	2	3	6	3	
130	98.97	65.00	65.00	328.23	6	3	2	3	6	3	

TABLE 4 - ANCHOR SPACING						ANCHOR TYPE & SPACING RECESSED MOUNT - MOUNT 4					
FW	DP	Vx	Vy	Vs	Ts	A	B	C	D	E	F
168	35	98.47	20.42	20.42	170.48	6	6	6	6	6	6
	40	98.47	23.33	23.33	180.77	6	6	6	6	6	6
	45	98.47	26.25	26.25	191.06	6	6	6	6	6	6
	50	98.47	29.17	29.17	201.34	6	6	6			

EQUALLY SPACED MULLIONS SELECTION

FACE MOUNT MULLION

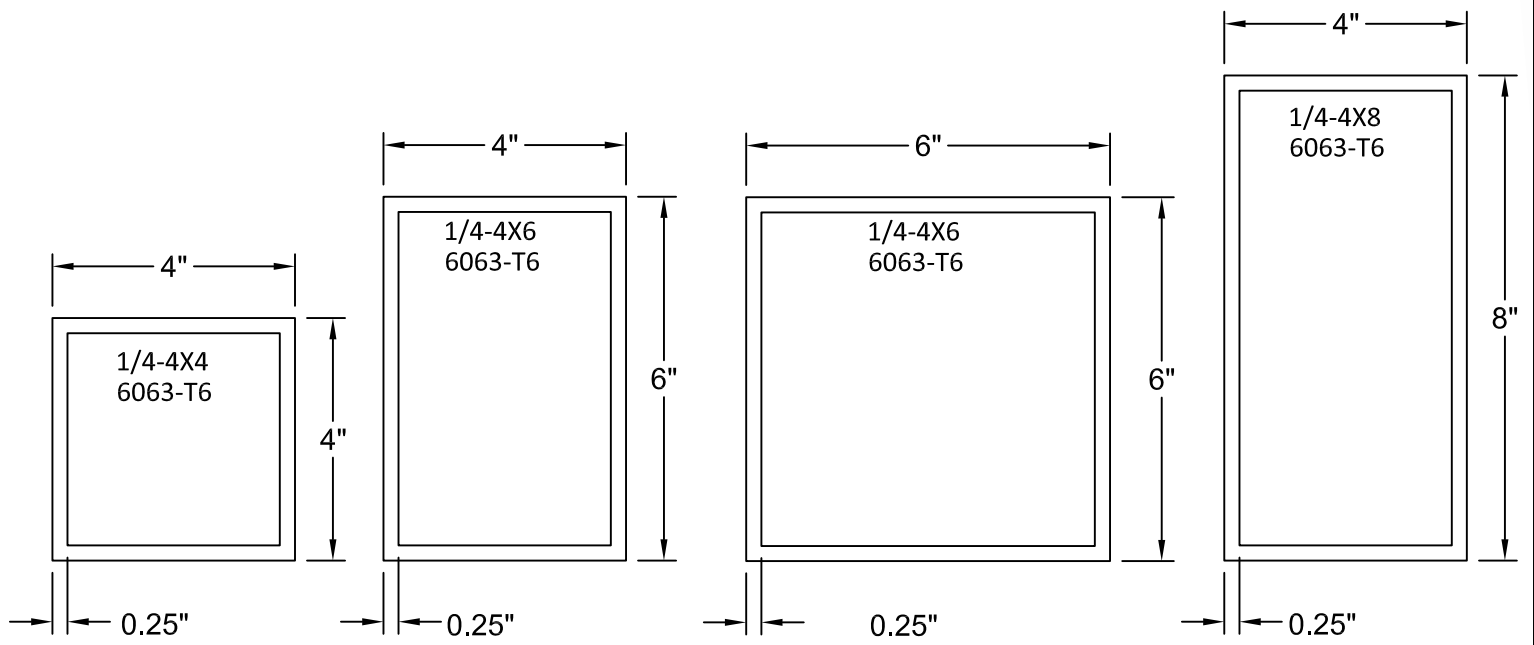


SM1 = SM2 = SM3


MAXIMUM MULLION DESIGN PRESSURE (PSF)

FW Max.	1/4-4x8 MULLION SPAN			1/4-6x6 MULLION SPAN			1/4-4x6 MULLION SPAN			1/4-4x4 MULLION SPAN		
	144	120	96	144	120	96	144	120	96	144	120	96
360	27	35	35	N/A	31	35	N/A	23	35	N/A	N/A	N/A
320	30	40	40	20	35	40	N/A	26	40	N/A	N/A	N/A
300	32	45	45	21	37	45	N/A	28	45	N/A	N/A	20
264	37	50	50	24	43	50	N/A	31	50	N/A	N/A	23
240	41	60	60	27	47	60	20	35	60	N/A	N/A	25
216	45	66	66	30	52	66	22	39	66	N/A	N/A	28
192	51	75	85	34	59	85	25	43	77	N/A	N/A	32
168	58	85	110	39	67	110	29	50	88	N/A	N/A	36
144	68	100	130	45	79	130	33	58	102	N/A	22	42
132	74	109	140	49	86	140	36	63	112	N/A	24	46
120	82	120	155	54	94	155	40	70	123	N/A	26	51
108	91	133	165	61	105	165	45	78	137	N/A	29	57
96	103	150	175	68	118	175	50	87	154	N/A	33	64
84	117	171	185	78	135	185	58	100	176	21	37	73
72	137	200	200	91	158	200	67	117	200	25	44	85

- NOTES:
- MULLIONS WERE DESIGNED BY RATIONAL ANALYSIS BASED ON THE ALUMINUM DESIGN MANUAL AND THE FLORIDA BUILDING CODE. ABOVE LOADS ARE ALSO LIMITED BY THE MAX. CAPACITY OF THE PRODUCT.
 - DEFLECTION CRITERIA: MAX. SPAN/180
 - VALUES ABOVE ARE APPLICABLE ONLY FOR EQUAL MODULES SM1=SM2=SM3
 - UNEQUAL MODULES ARE TO BE DESIGNED BY RATIONAL ANALYSIS IN A CASE BY CASE BASIS.

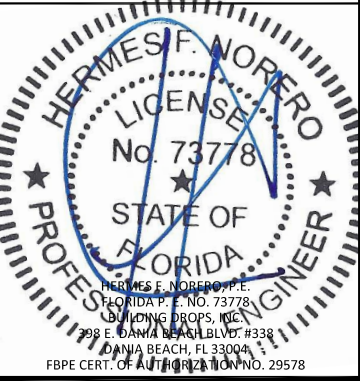


TITLE:
 MAGNATRACK HURRICANE SYSTEM
 EQUALLY SPACED MULLIONS


 5350 PINKNEY AVE,
 SARASOTA, FLORIDA 34233
 PH: 866-802-0400

REMARKS	BY	DATE
NEW TESTING UPDATE	SM	12/9/20

THE INSTALLATION DETAILS DESCRIBED HEREIN ARE GENERIC AND MAY NOT REFLECT ACTUAL CONDITIONS FOR A SPECIFIC SITE. IF SITE CONDITIONS CAUSE INSTALLATION TO DEVIATE FROM THE REQUIREMENTS DETAILED HEREIN, A LICENSED ENGINEER OR ARCHITECT SHALL PREPARE SITE SPECIFIC DOCUMENTS FOR USE WITH THIS DOCUMENT.



FL30798

DATE: 10.15.19

DWG. BY: SM/AR CHK. BY: HFN

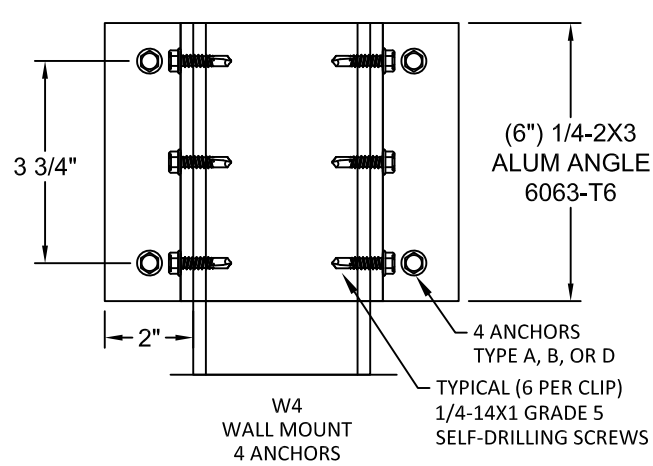
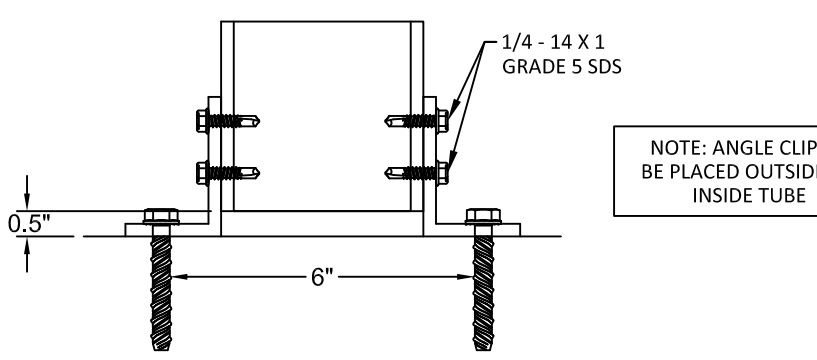
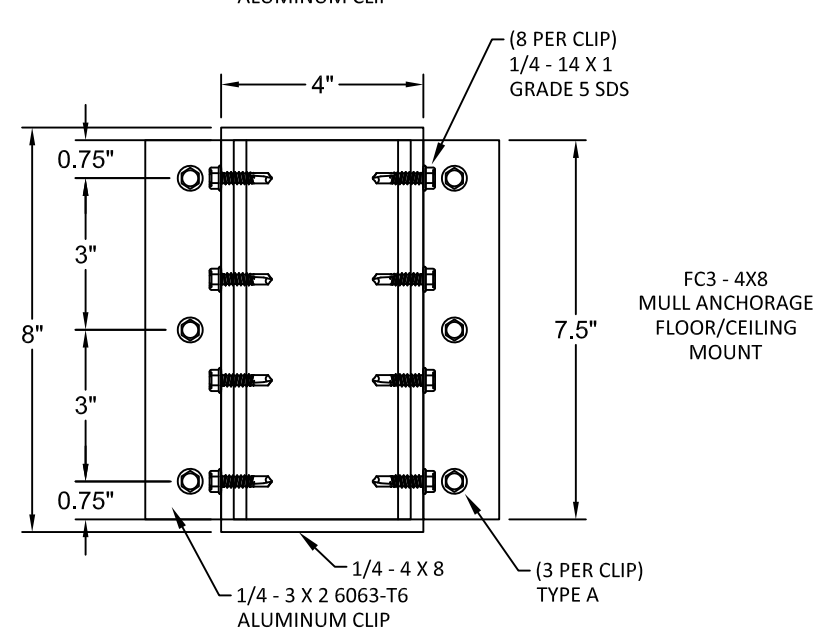
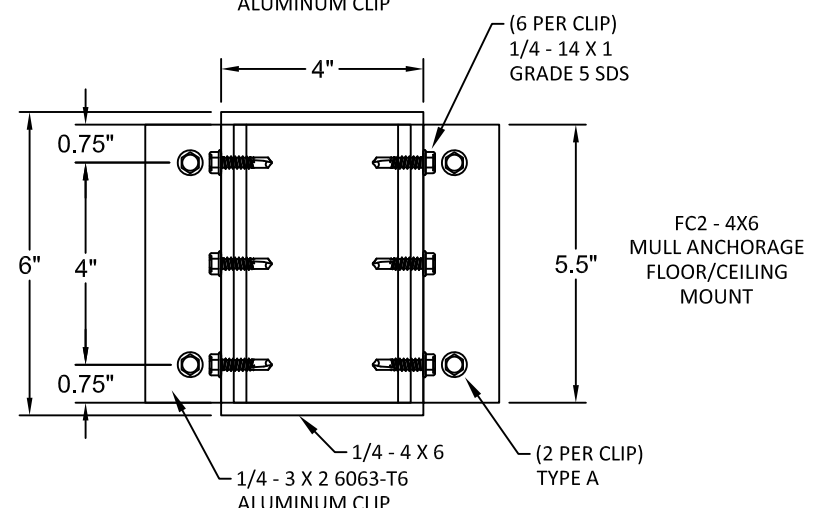
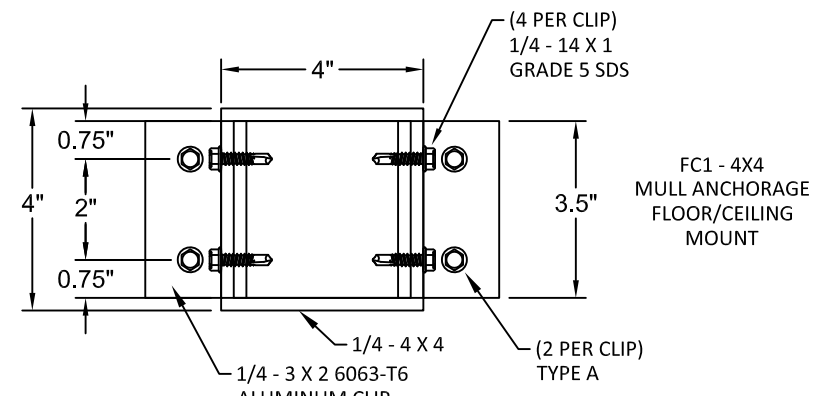
SCALE: NTS

DWG. #: PRG003

SHEET: OF 29

12/17/2020 6:27 PM
 s:\projects\progressive screens\fb-20-0411-2-fbc-submittal\fb-20-0411-2-fbc-submittal-150798 magnatrack fabric roll shutter-new profile\dwgs\pgr003 hvhz fabric roll-down submittal.dwg

EQUALLY SPACED MULLIONS WALL AND INSET CONNECTIONS



ANCHOR TYPE	MULLION TYPE			
	4X4	4X6	6X6	4X8
A	W4	W4	W4	W4
B	W4	N/A	N/A	N/A
D	W4	N/A	N/A	N/A

ANCHOR TYPE	MULLION TYPE			
	4X4	4X6	6X6	4X8
A	FC1	FC2	FC3	FC3

ANCHOR SCHEDULE:

ANCHOR	DESCRIPTION	MATERIAL	EDGE DISTANCE	EMBEDMENT
A	3/8" POWERS WEDGE BOLT	MIN. 3000 PSI CONCRETE	3 3/4"	3 1/2"
B	5/16" ITW TAPCON	MIN. 3000 PSI CONCRETE	2 3/16"	2 1/4"
D	5/16" ITW TAPCON	GROUT FILLED C-90 BLOCK f'm ≥ 2000 PSI	4"	2 1/4"

PREPARED BY:

BUILDING DROPS, INC.
398 E. DANIA BEACH BLVD., STE. 338
DANIA BEACH, FL 33004
PH: (954)399-8478
FAX: (954)744.4738
WEB: www.buildingdrops.com

TITLE:

MAGNATRACK HURRICANE SYSTEM
EQUALLY SPACED MULLION ANCHORS

5350 PINKNEY AVE,
SARASOTA, FLORIDA 34233
PH: 866-802-0400

REMARKS	BY	DATE
NEW TESTING UPDATE	SM	12/9/20

THE INSTALLATION DETAILS DESCRIBED HEREIN ARE GENERIC AND MAY NOT REFLECT ACTUAL CONDITIONS FOR A SPECIFIC SITE. IF SITE CONDITIONS CAUSE INSTALLATION TO DEVIATE FROM THE REQUIREMENTS DETAILED HEREIN, A LICENSED ENGINEER OR ARCHITECT SHALL PREPARE SITE SPECIFIC DOCUMENTS FOR USE WITH THIS DOCUMENT.

HERMES F. NORERO, P.E.
FLORIDA P. E. NO. 73778
BUILDING DROPS, INC.
398 E. DANIA BEACH BLVD #338
DANIA BEACH, FL 33004
FBPE CERT. OF AUTHORIZATION NO. 29578

FL30798

DATE: 10.15.19

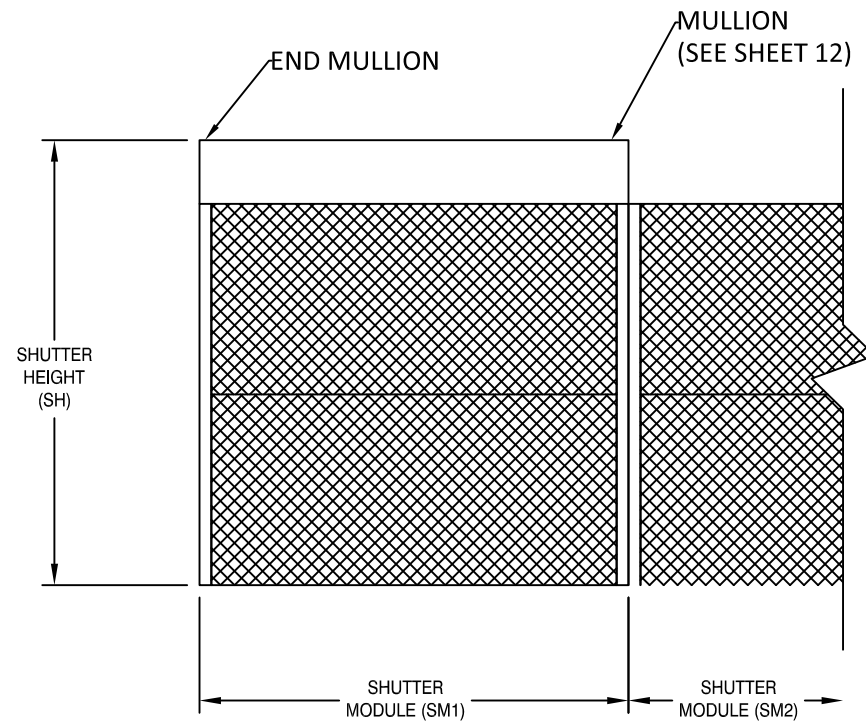
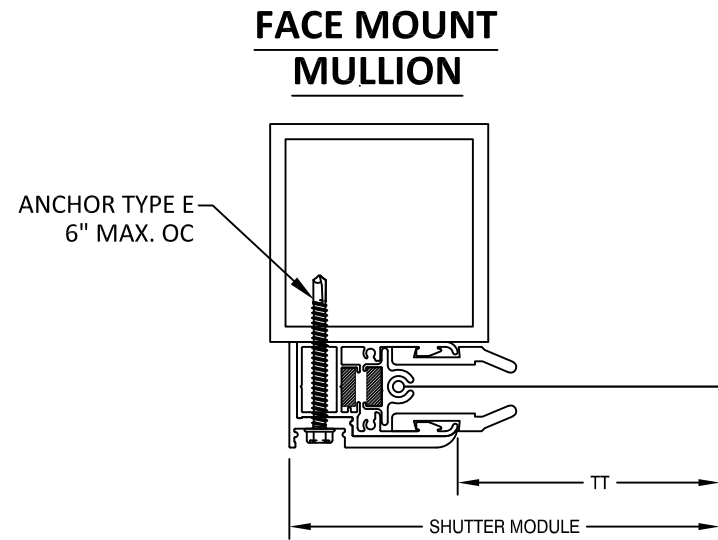
DWG. BY: SM/AR CHK. BY: HFN

SCALE: NTS

DWG. #: PRG003

SHEET: 17 OF 29

END MULLION SELECTION



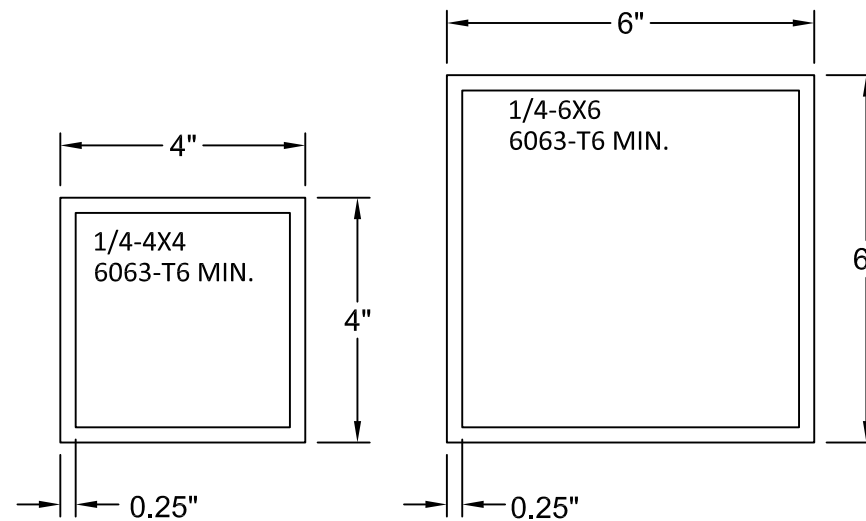
SM1 = SM2

MAXIMUM END MULLION SPANS AND DESIGN PRESSURES

FW MAX (in)	ALLOWABLE DP (PSF)	ALLOWABLE MULLION SPANS (FT)	
		4" x 4" X 0.25" 6063-T6 MIN.	6" x 6" X 0.25" 6063-T6 MIN.
72	200	12.00	12.00
84	185	12.00	12.00
96	175	12.00	12.00
108	165	12.00	12.00
120	155	12.00	12.00
132	140	12.00	12.00
144	130	12.00	12.00
168	110	12.00	12.00
192	85	12.00	12.00
216	66.7	12.00	12.00
240	60	12.00	12.00
264	50	12.00	12.00
300	45	12.00	12.00
320	40	12.00	12.00
360	35	12.00	12.00

NOTES:

- MULLIONS WERE DESIGNED BY RATIONAL ANALYSIS BASED ON THE ALUMINUM DESIGN MANUAL AND THE FLORIDA BUILDING CODE. ABOVE LOADS ARE ALSO LIMITED BY THE MAX. CAPACITY OF THE PRODUCT.
- VALUES ABOVE ARE APPLICABLE FOR END MULLIONS ONLY



PREPARED BY:



BUILDING DROPS, INC.

398 E. DANIA BEACH BLVD., STE. 338
DANIA BEACH, FL 33004
PH: (954)399-8478
FAX: (954)744.4738
WEB: www.buildingdrops.com

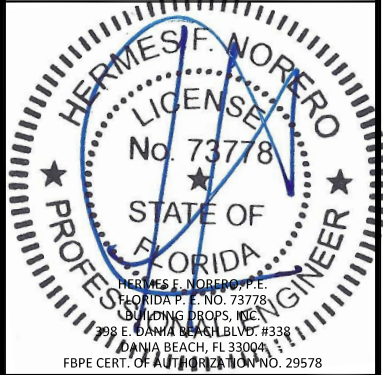
TITLE:
MAGNATRACK HURRICANE SYSTEM
END MULLION



5350 PINKNEY AVE,
SARASOTA, FLORIDA 34233
PH: 866-802-0400

REMARKS	BY	DATE
NEW TESTING UPDATE	SM	12/9/20

THE INSTALLATION DETAILS DESCRIBED HEREIN ARE GENERIC AND MAY NOT REFLECT ACTUAL CONDITIONS FOR A SPECIFIC SITE. IF SITE CONDITIONS CAUSE INSTALLATION TO DEVIATE FROM THE REQUIREMENTS DETAILED HEREIN, A LICENSED ENGINEER OR ARCHITECT SHALL PREPARE SITE SPECIFIC DOCUMENTS FOR USE WITH THIS DOCUMENT.



FL30798

DATE: 10.15.19

DWG. BY: SM/AR CHK. BY: HFN

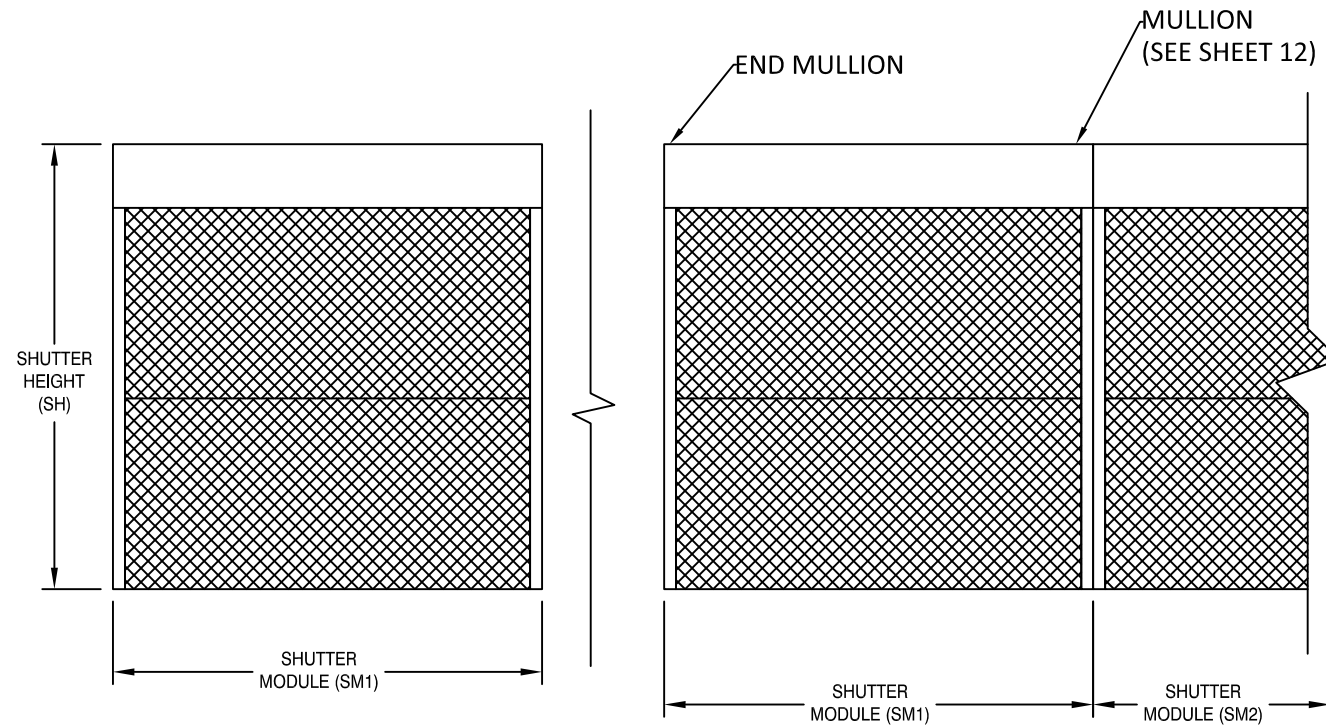
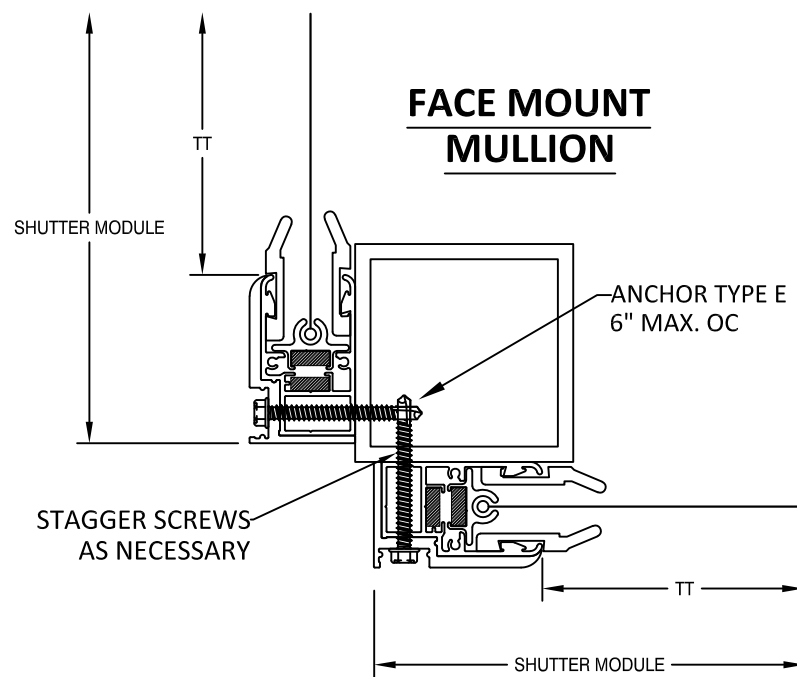
SCALE: NTS

DWG. #: PRG003

SHEET: OF 29

18

CORNER MULLION SELECTION



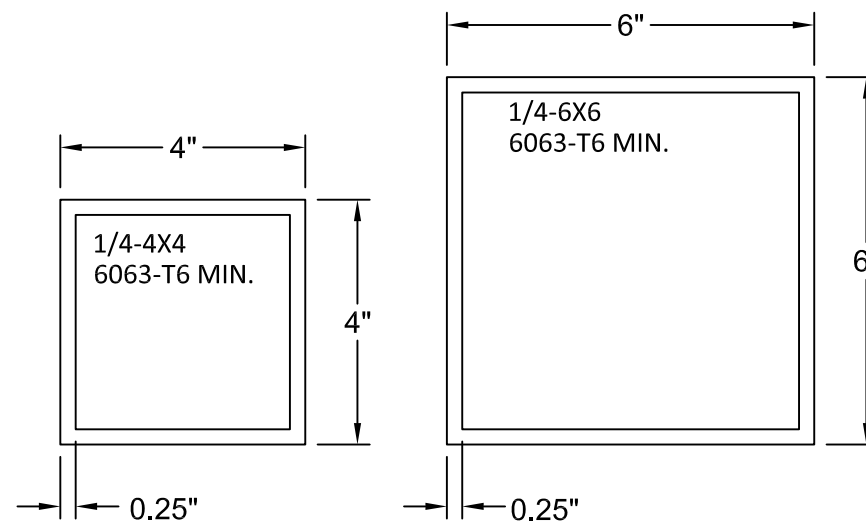
SM1 = SM2 = SM3

MAXIMUM CORNER MULLION SPANS AND DESIGN PRESSURES

FW MAX (in)	ALLOWABLE DP (PSF)	ALLOWABLE MULLION SPANS (FT)	
		4" x 4" X 0.25" 6063-T6 MIN.	6" x 6" X 0.25" 6063-T6 MIN.
72	200	12.00	12.00
84	185	12.00	12.00
96	175	12.00	12.00
108	160	12.00	12.00
120	150	11.89	12.00
132	135	11.77	12.00
144	125	11.66	12.00
168	100	11.71	12.00
204	75	12.00	12.00
216	55	12.00	12.00
240	50	12.00	12.00
264	45	12.00	12.00
286.5	40	12.00	12.00

NOTES:

- MULLIONS WERE DESIGNED BY RATIONAL ANALYSIS BASED ON THE ALUMINUM DESIGN MANUAL AND THE FLORIDA BUILDING CODE. ABOVE LOADS ARE ALSO LIMITED BY THE MAX. CAPACITY OF THE PRODUCT.
- VALUES ABOVE ARE APPLICABLE FOR CORNER MULLIONS ONLY WITH EQUAL WIDTH SHUTTERS ON BOTH SIDES, UNEQUAL SHUTTERS SHALL BE EVALUATED ON A CASE BY CASE BASIS.



PREPARED BY:



BUILDING DROPS, INC.

398 E. DANIA BEACH BLVD., STE. 338
 DANIA BEACH, FL 33004
 PH: (954)399-8478
 FAX: (954)744.4738
 WEB: www.buildingdrops.com

TITLE: MAGNATRACK HURRICANE SYSTEM

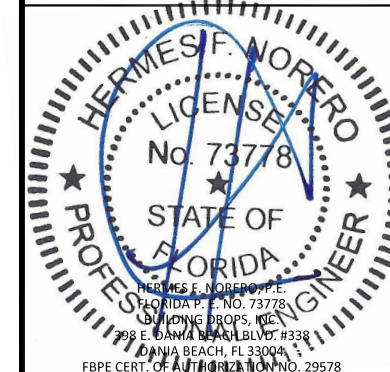
CORNER MULLION



5350 PINKNEY AVE,
 SARASOTA, FLORIDA 34233
 PH: 866-802-0400

REMARKS	BY	DATE
NEW TESTING UPDATE	SM	12/9/20

THE INSTALLATION DETAILS DESCRIBED HEREIN ARE GENERIC AND MAY NOT REFLECT ACTUAL CONDITIONS FOR A SPECIFIC SITE. IF SITE CONDITIONS CAUSE INSTALLATION TO DEVIATE FROM THE REQUIREMENTS DETAILED HEREIN, A LICENSED ENGINEER OR ARCHITECT SHALL PREPARE SITE SPECIFIC DOCUMENTS FOR USE WITH THIS DOCUMENT.



FL30798

DATE: 10.15.19

DWG. BY: SM/AR CHK. BY: HFN

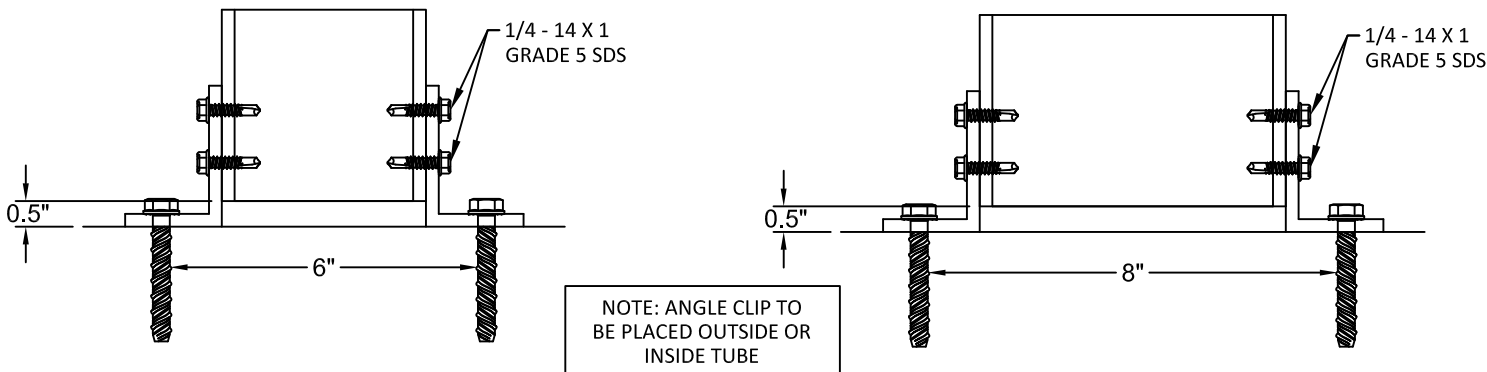
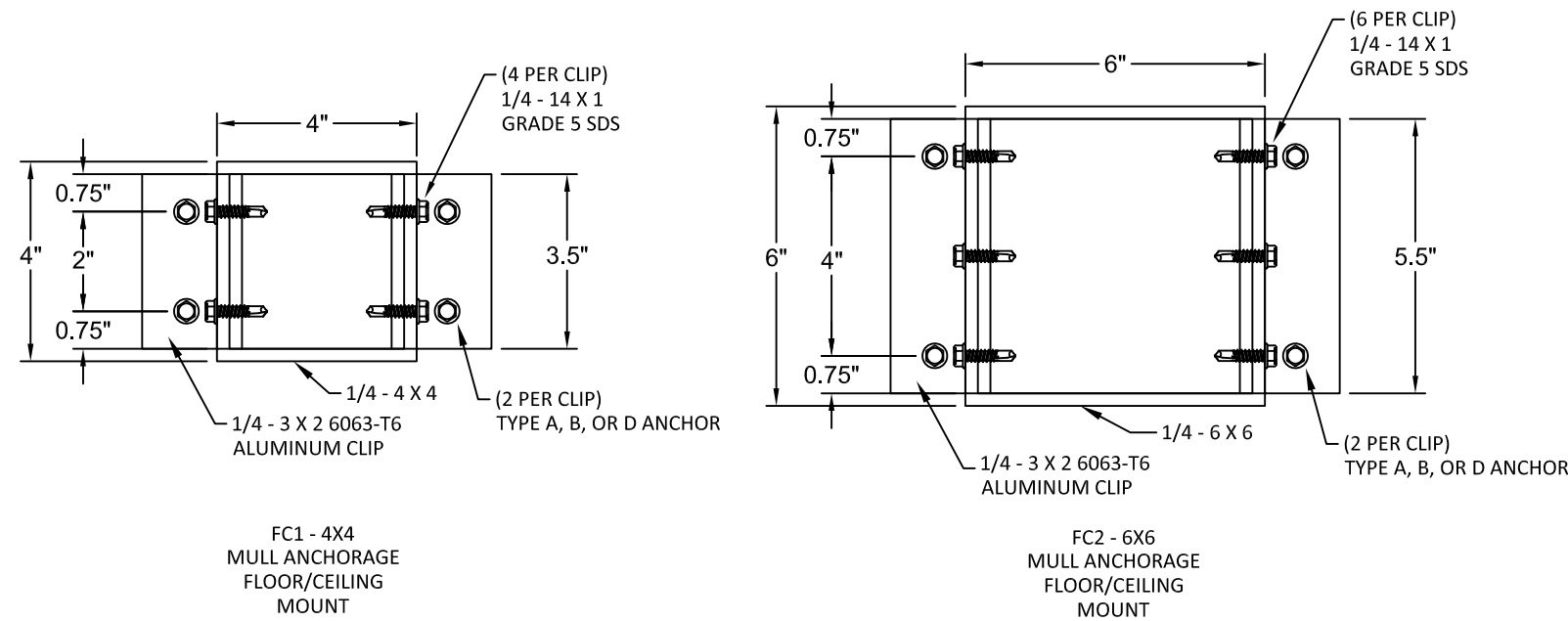
SCALE: NTS

DWG. #: PRG003

SHEET: OF 29

19

END MULLION AND CORNER MULLION WALL AND INSET CONNECTIONS

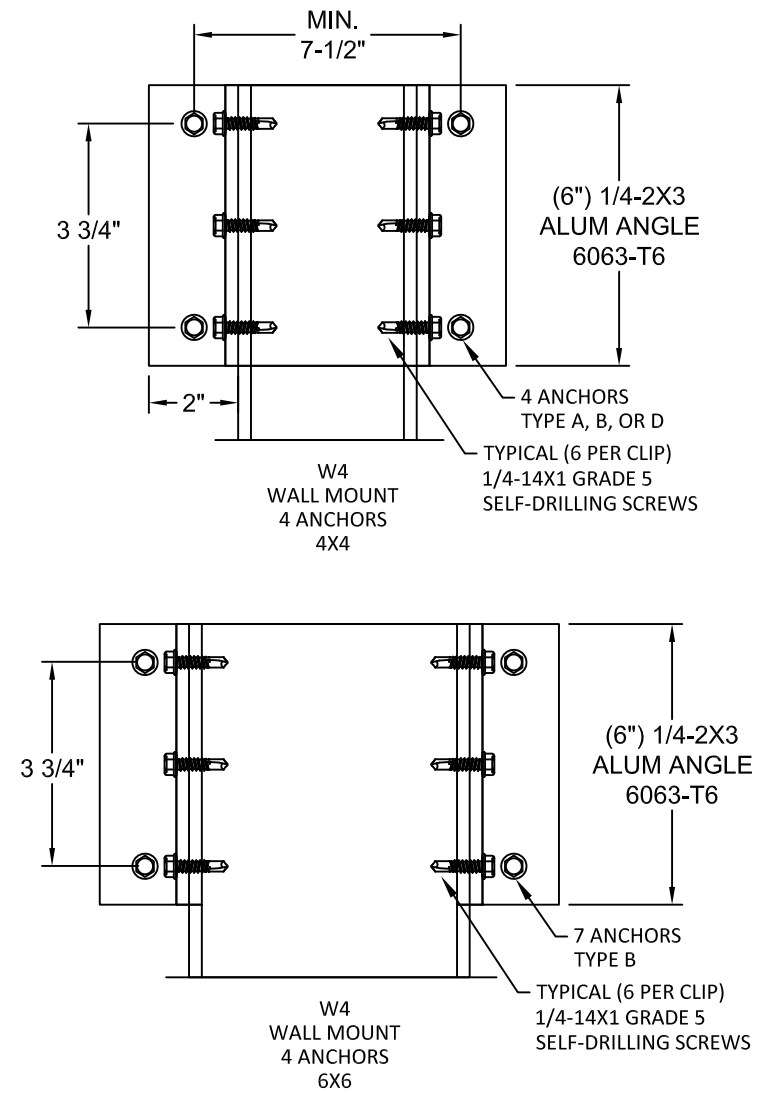


MULL FLOOR/CEILING MOUNT ANCHOR SELECTION				
ANCHOR TYPE	END MULLION TYPE		CORNER MULLION TYPE	
	4X4	6X6	4X4	6X6
A	FC1	FC2	FC1	FC2
B	FC1	FC2	FC1	FC2
D	FC1	FC2	FC1	FC2

ANCHOR SCHEDULE:

ANCHOR	DESCRIPTION	MATERIAL	EDGE DISTANCE	EMBEDMENT
A	3/8" POWERS WEDGE BOLT	MIN. 3000 PSI CONCRETE	3 3/4"	3 1/2"
B	5/16" ITW TAPCON	MIN. 3000 PSI CONCRETE	2 3/16"	2 1/4"
D	5/16" ITW TAPCON	GROUT FILLED C-90 BLOCK f'm ≥ 2000 PSI	4"	2 1/4"

END MULLION WALL CONNECTIONS



WALL MOUNT ANCHOR SELECTION		
ANCHOR TYPE	END MULLION TYPE	
	4X4	6X6
A	W4	W4
B	W4	W4
D	W4	W4

PREPARED BY:



BUILDING DROPS, INC.

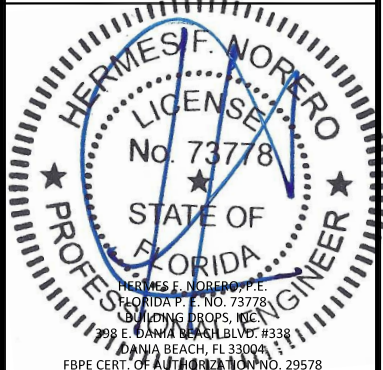
398 E. DANIA BEACH BLVD., STE. 338
DANIA BEACH, FL 33004
PH: (954)399-8478
FAX: (954)744.4738
WEB: www.buildingdrops.com

TITLE: MAGNATRACK HURRICANE SYSTEM
END MULLION / CORNER MULLION CONNECTIONS

Progressive
5350 PINKNEY AVE,
SARASOTA, FLORIDA 34233
PH: 866-802-0400

REMARKS	BY	DATE
NEW TESTING UPDATE	SM	12/9/20

THE INSTALLATION DETAILS DESCRIBED HEREIN ARE GENERIC AND MAY NOT REFLECT ACTUAL CONDITIONS FOR A SPECIFIC SITE. IF SITE CONDITIONS CAUSE INSTALLATION TO DEVIATE FROM THE REQUIREMENTS DETAILED HEREIN, A LICENSED ENGINEER OR ARCHITECT SHALL PREPARE SITE SPECIFIC DOCUMENTS FOR USE WITH THIS DOCUMENT.



FL30798

DATE: 10.15.19

DWG. BY: SM/AR
CHK. BY: HFN

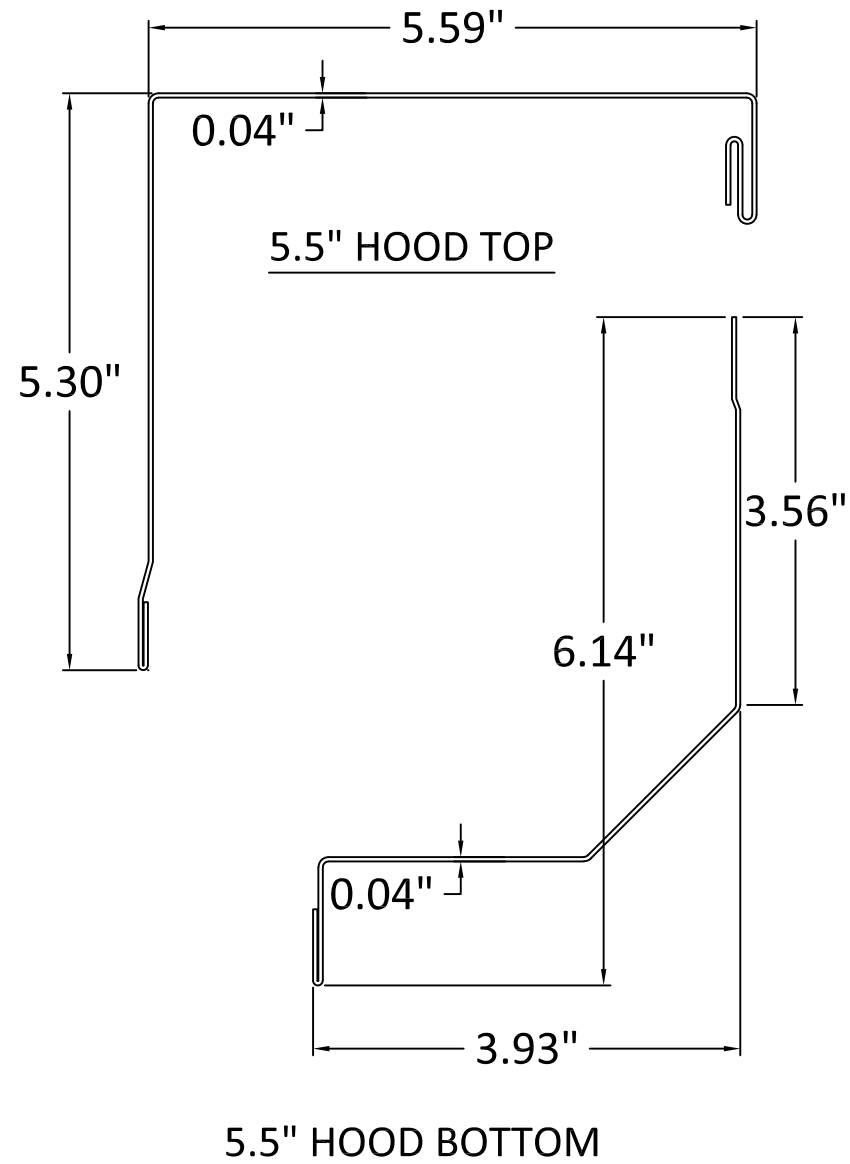
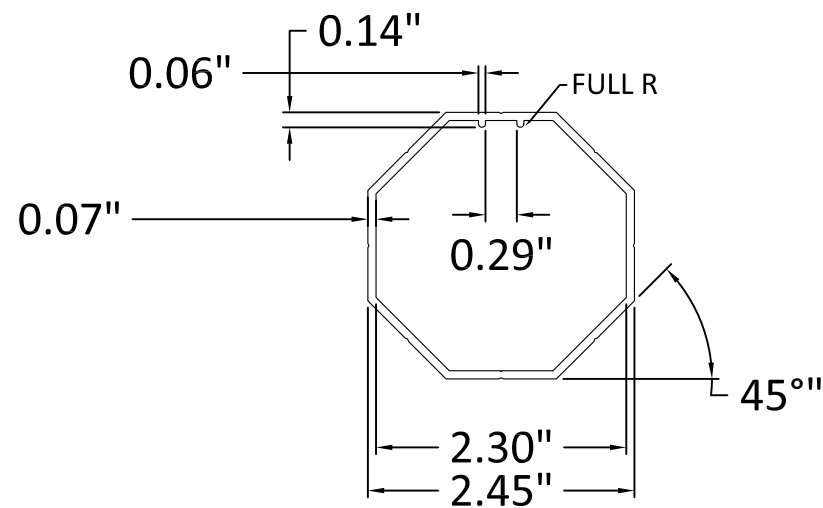
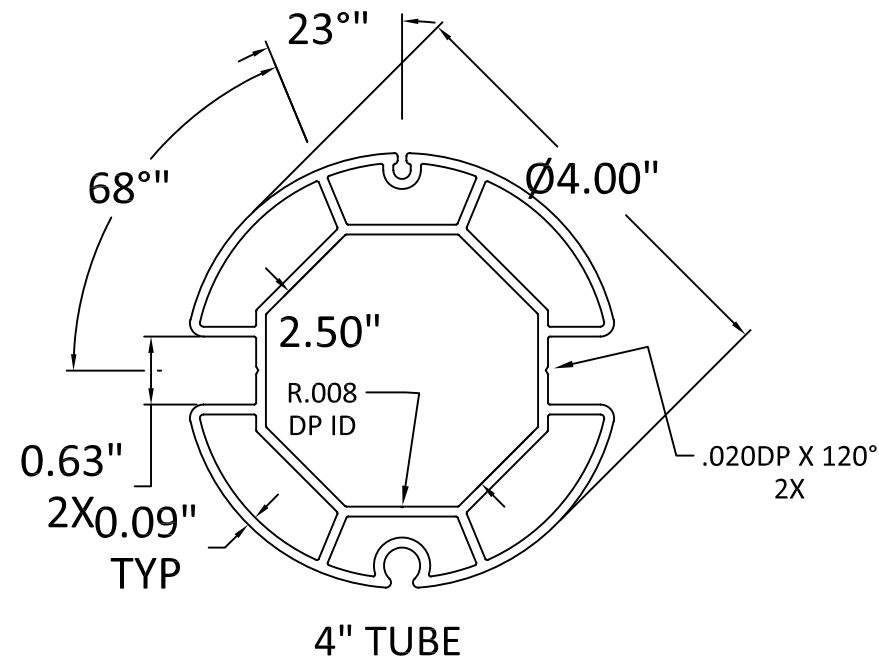
SCALE: NTS

DWG. #: PRG003

SHEET: OF 29

20

4" TUBE AND 5.5" HOOD DETAILS

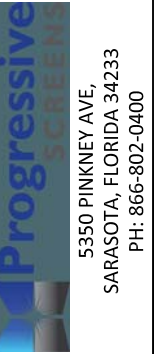


PREPARED BY:



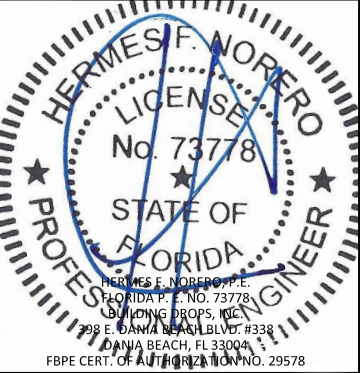
BUILDING DROPS, INC.
 398 E. DANIA BEACH BLVD., STE. 338
 DANIA BEACH, FL 33004
 PH: (954)399-8478
 FAX: (954)744.4738
 WEB: www.buildingdrops.com

TITLE:
 MAGNATRACK HURRICANE SYSTEM
 4" TUBE & 5.5" HOOD DETAILS



REMARKS	BY	DATE
NEW TESTING UPDATE	SM	12/9/20

THE INSTALLATION DETAILS DESCRIBED HEREIN ARE GENERIC AND MAY NOT REFLECT ACTUAL CONDITIONS FOR A SPECIFIC SITE. IF SITE CONDITIONS CAUSE INSTALLATION TO DEVIATE FROM THE REQUIREMENTS DETAILED HEREIN, A LICENSED ENGINEER OR ARCHITECT SHALL PREPARE SITE SPECIFIC DOCUMENTS FOR USE WITH THIS DOCUMENT.



FL30798

DATE:	10.15.19
DWG. BY:	SM/AR
CHK. BY:	HFN
SCALE:	NTS
DWG. #:	PRG003
SHEET:	OF 29

21

12/17/2020 6:27 PM
 s:\projects\progressive\screens\fbic-20-0411.2-fbc-submittal-fb30798 magnatrack fabric roll shutter-new profile.dwg\p03 hvhz fabric roll-down submittal.dwg

4" TUBE AND 6" EXTRUDED HOOD DETAILS

PREPARED BY:



BUILDING DROPS, INC.

398 E. DANIA BEACH BLVD., STE. 338
 DANIA BEACH, FL 33004
 PH: (954)399-8478
 FAX: (954)744.4738
 WEB: www.buildingdrops.com

MAGNATRACK HURRICANE SYSTEM
 4" TUBE & 6" EXTRUDED HOOD
 DETAILS

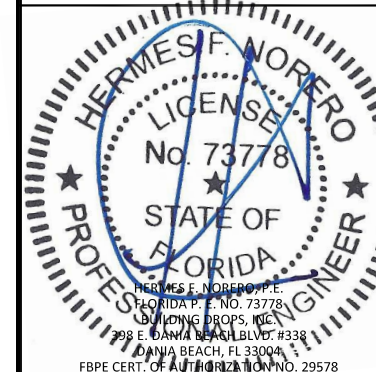


5350 PINKNEY AVE,
 SARASOTA, FLORIDA 34233
 PH: 866-802-0400

TITLE:

REMARKS	BY	DATE
NEW TESTING UPDATE	SM	12/9/20

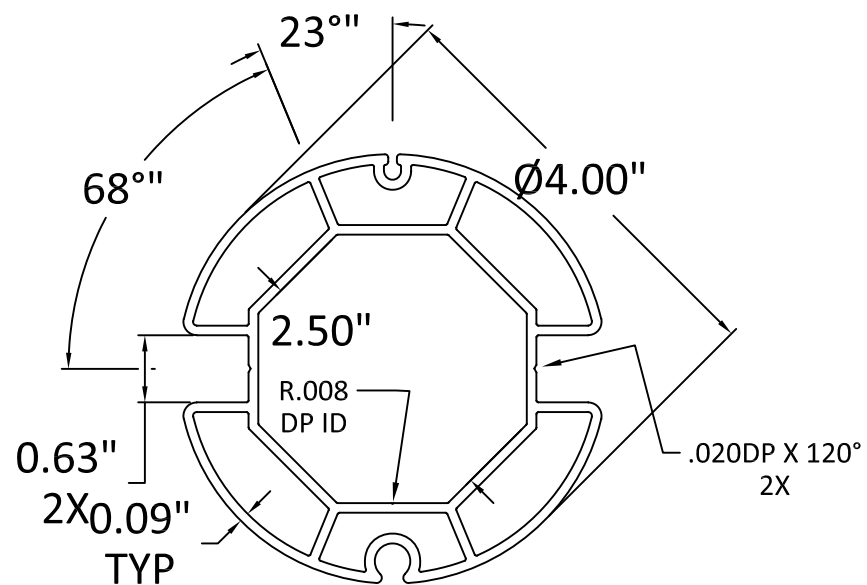
THE INSTALLATION DETAILS DESCRIBED HEREIN ARE GENERIC AND MAY NOT REFLECT ACTUAL CONDITIONS FOR A SPECIFIC SITE. IF SITE CONDITIONS CAUSE INSTALLATION TO DEVIATE FROM THE REQUIREMENTS DETAILED HEREIN, A LICENSED ENGINEER OR ARCHITECT SHALL PREPARE SITE SPECIFIC DOCUMENTS FOR USE WITH THIS DOCUMENT.



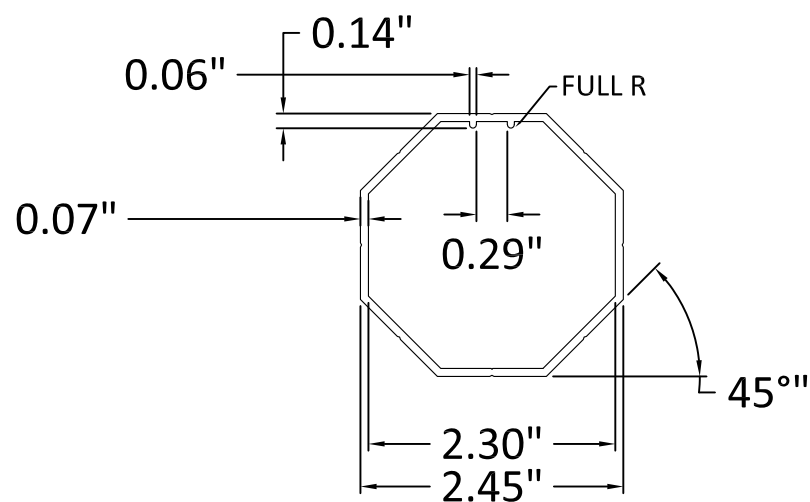
FL30798

DATE:	10.15.19
DWG. BY:	SM/AR
CHK. BY:	HFN
SCALE:	NTS
DWG. #:	PRG003
SHEET:	OF 29

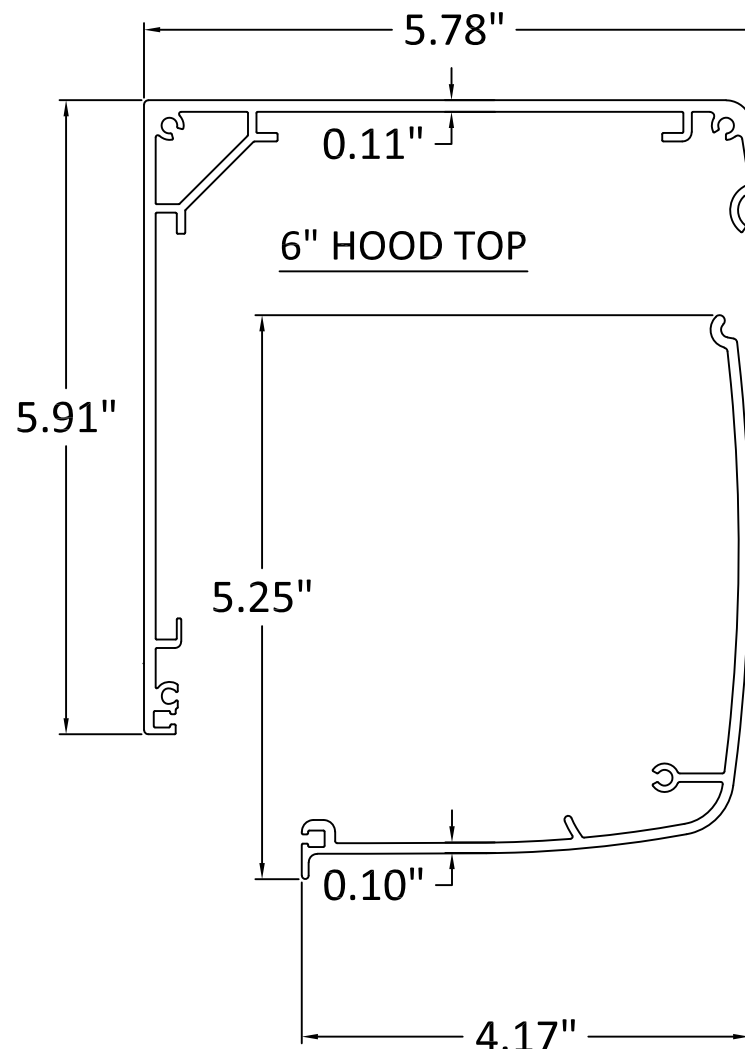
22



4" TUBE



60 MM OCTAGONAL TUBE

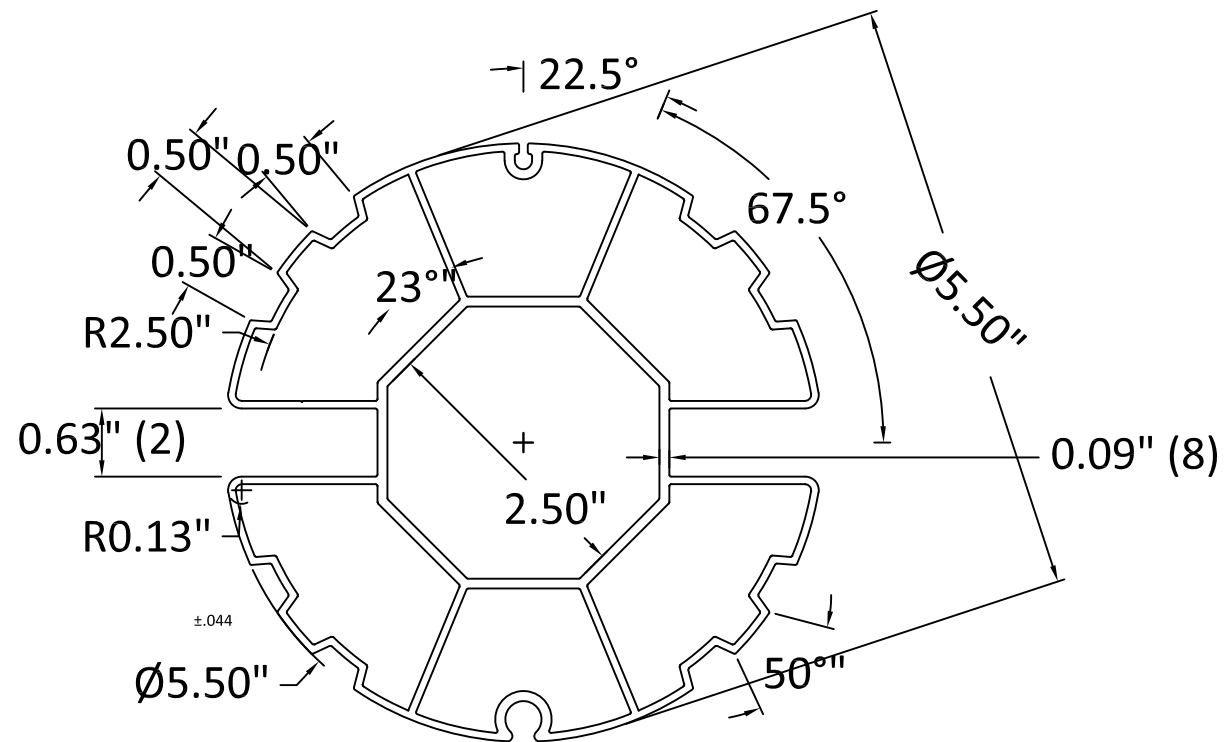


6" HOOD BOTTOM

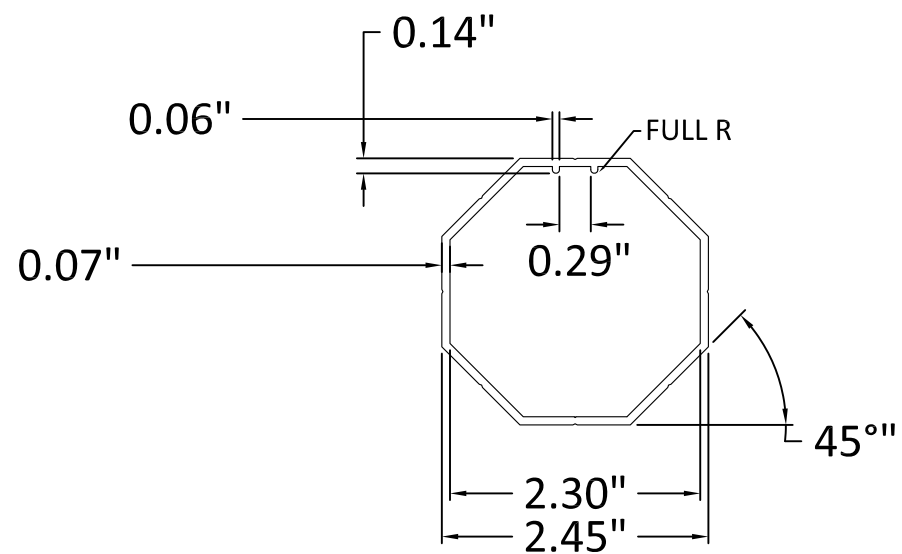
12/17/2020 6:27 PM

s:\projects\progressive\screens\fbc-20-0411-2-fbc-submittal-f30798 magnatrack fabric roll shutter-new profile.dwg\pgr003 hvhz fabric roll-down submittal.dwg

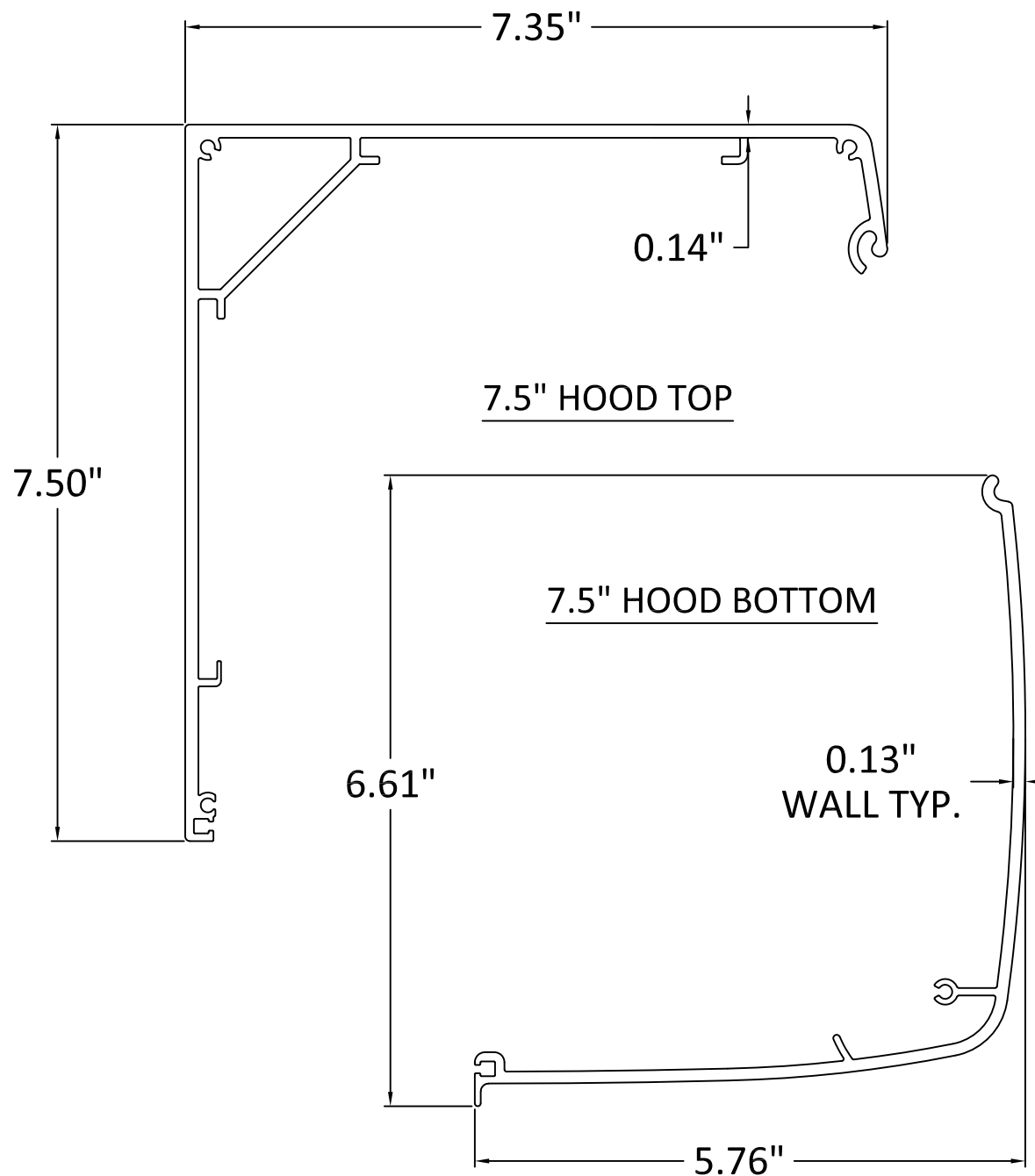
5.5" TUBE AND 7.5" EXTRUDED HOOD DETAILS



5.5" TUBE



60 MM OCTAGONAL TUBE



NOTE:
7.5" HOOD IS COMPATIBLE
WITH 4" TUBE.

PREPARED BY:



BUILDING DROPS, INC.

398 E. DANIA BEACH BLVD., STE. 338
DANIA BEACH, FL 33004
PH: (954)399-8478
FAX: (954)744.4738
WEB: www.buildingdrops.com

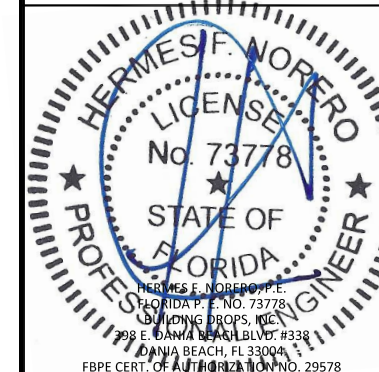
TITLE:
MAGNATRACK HURRICANE SYSTEM
5.5" TUBE & 7.5" EXTRUDED HOOD
DETAILS



5350 PINKNEY AVE,
SARASOTA, FLORIDA 34233
PH: 866-802-0400

REMARKS	BY	DATE
NEW TESTING UPDATE	SM	12/9/20

THE INSTALLATION DETAILS DESCRIBED HEREIN ARE GENERIC AND MAY NOT REFLECT ACTUAL CONDITIONS FOR A SPECIFIC SITE. IF SITE CONDITIONS CAUSE INSTALLATION TO DEVIATE FROM THE REQUIREMENTS DETAILED HEREIN, A LICENSED ENGINEER OR ARCHITECT SHALL PREPARE SITE SPECIFIC DOCUMENTS FOR USE WITH THIS DOCUMENT.



FL30798

DATE: 10.15.19

DWG. BY: SM/AR
CHK. BY: HFN

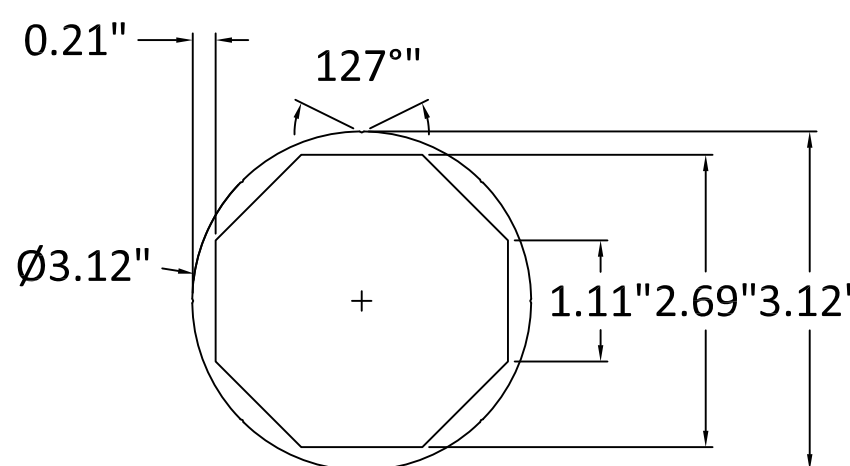
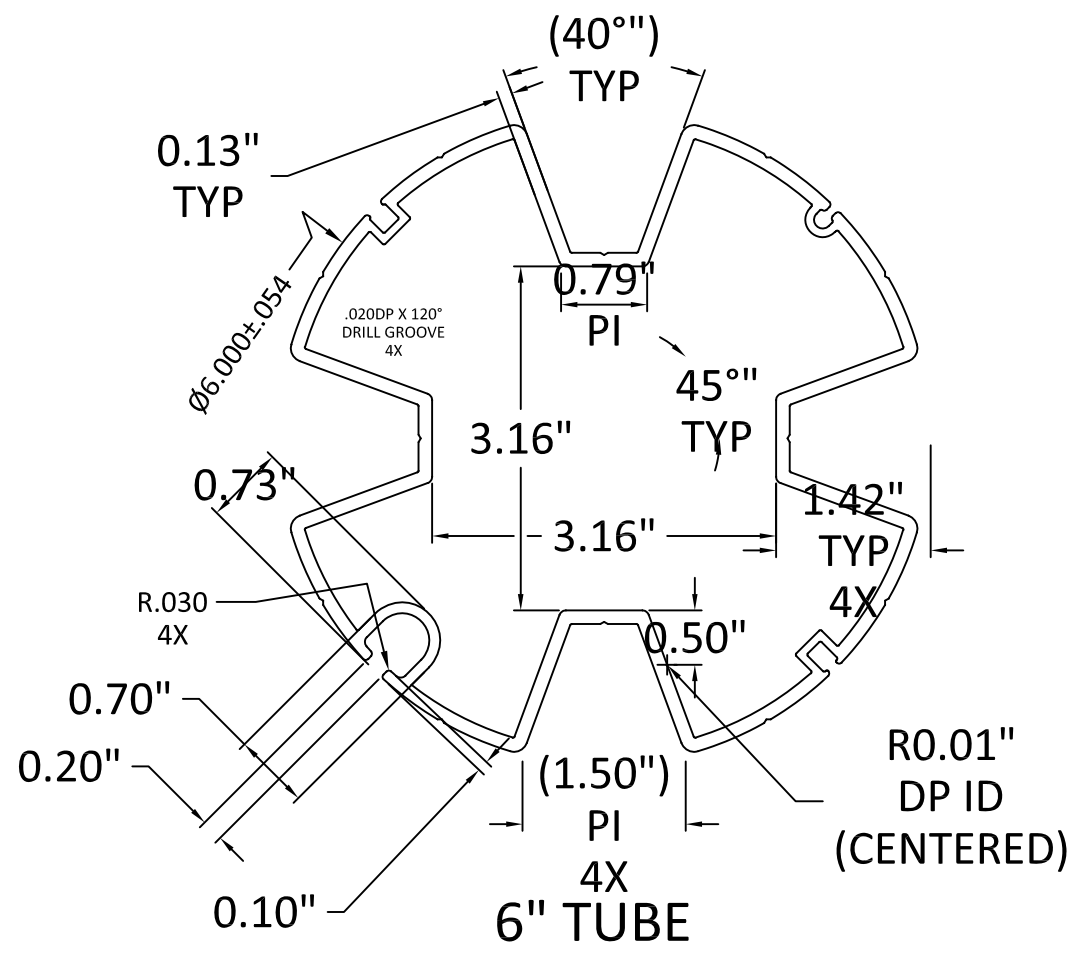
SCALE: NTS

DWG. #: PRG003

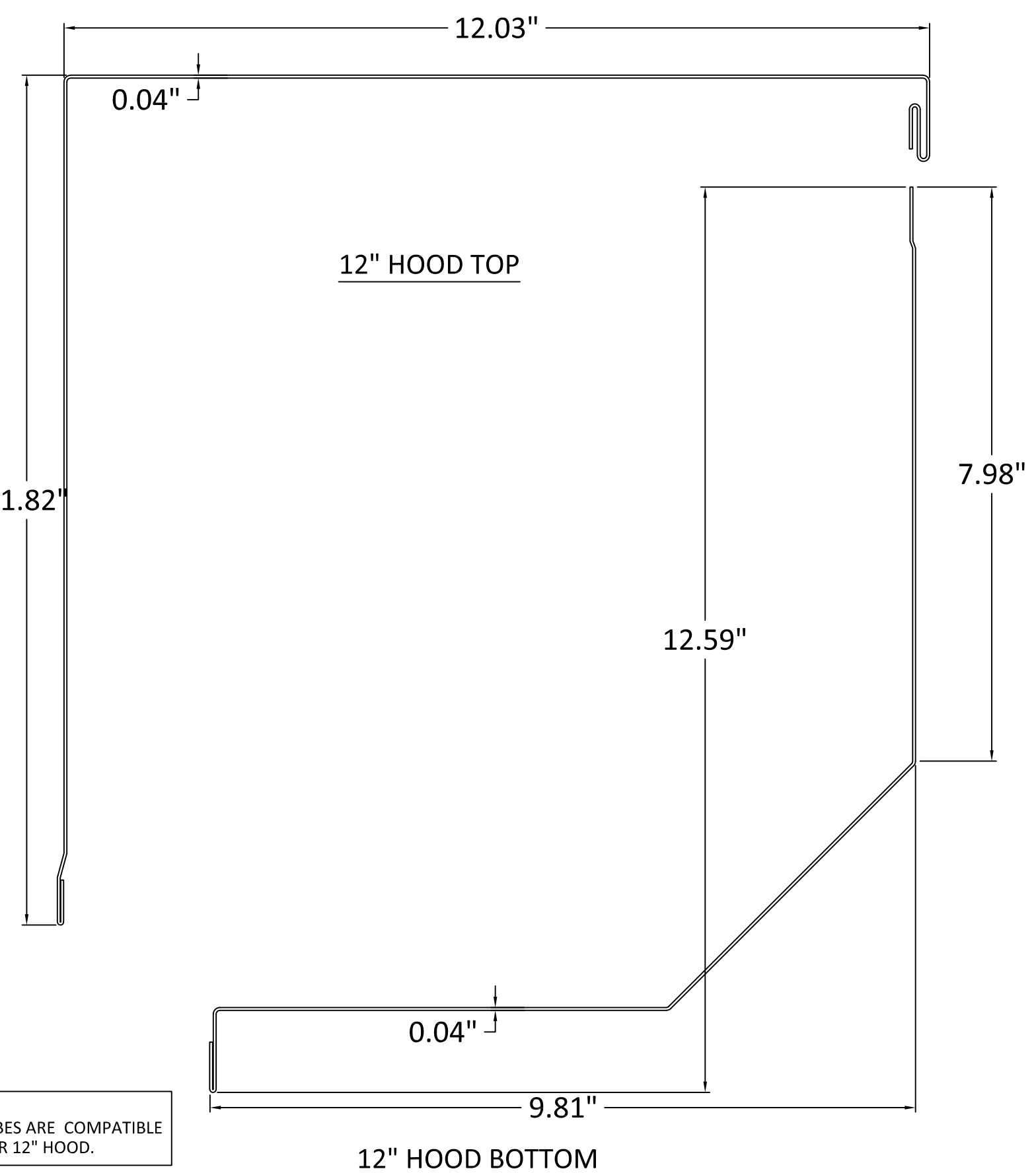
SHEET: OF 29

23

6" TUBE AND 12" HOOD DETAILS




NOTE:
6" AND 6.5" TUBES ARE COMPATIBLE
WITH 8", 10", OR 12" HOOD.



PREPARED BY:

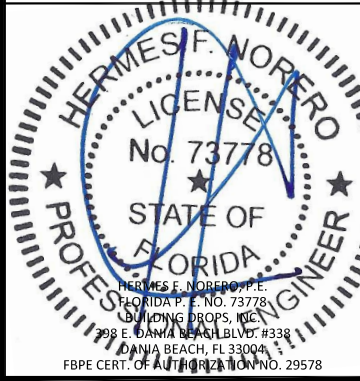
BUILDING DROPS, INC.
 398 E. DANIA BEACH BLVD., STE. 338
 DANIA BEACH, FL 33004
 PH: (954)399-8478
 FAX: (954)744.4738
 WEB: www.buildingdrops.com

TITLE:
MAGNATRACK HURRICANE SYSTEM
6" TUBE & 12" HOOD DETAILS


 5350 PINKNEY AVE,
 SARASOTA, FLORIDA 34233
 PH: 866-802-0400

REMARKS	BY	DATE
NEW TESTING UPDATE	SM	12/9/20

THE INSTALLATION DETAILS DESCRIBED HEREIN ARE GENERIC AND MAY NOT REFLECT ACTUAL CONDITIONS FOR A SPECIFIC SITE. IF SITE CONDITIONS CAUSE INSTALLATION TO DEVIATE FROM THE REQUIREMENTS DETAILED HEREIN, A LICENSED ENGINEER OR ARCHITECT SHALL PREPARE SITE SPECIFIC DOCUMENTS FOR USE WITH THIS DOCUMENT.



FL30798

DATE: 10.15.19

DWG. BY: SM/AR	CHK. BY: HFN
-------------------	-----------------

SCALE: NTS

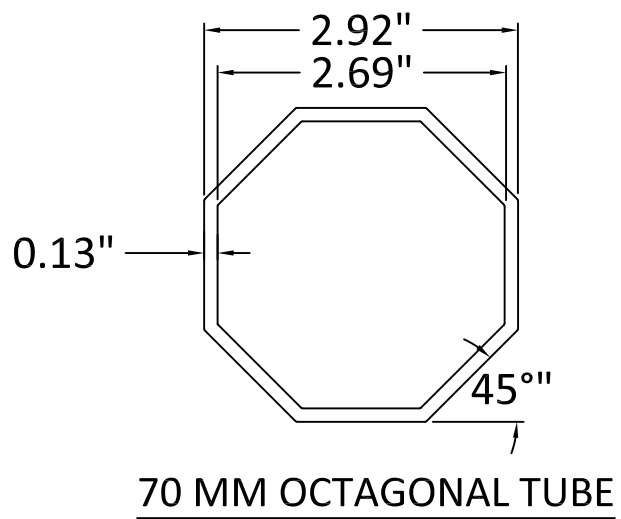
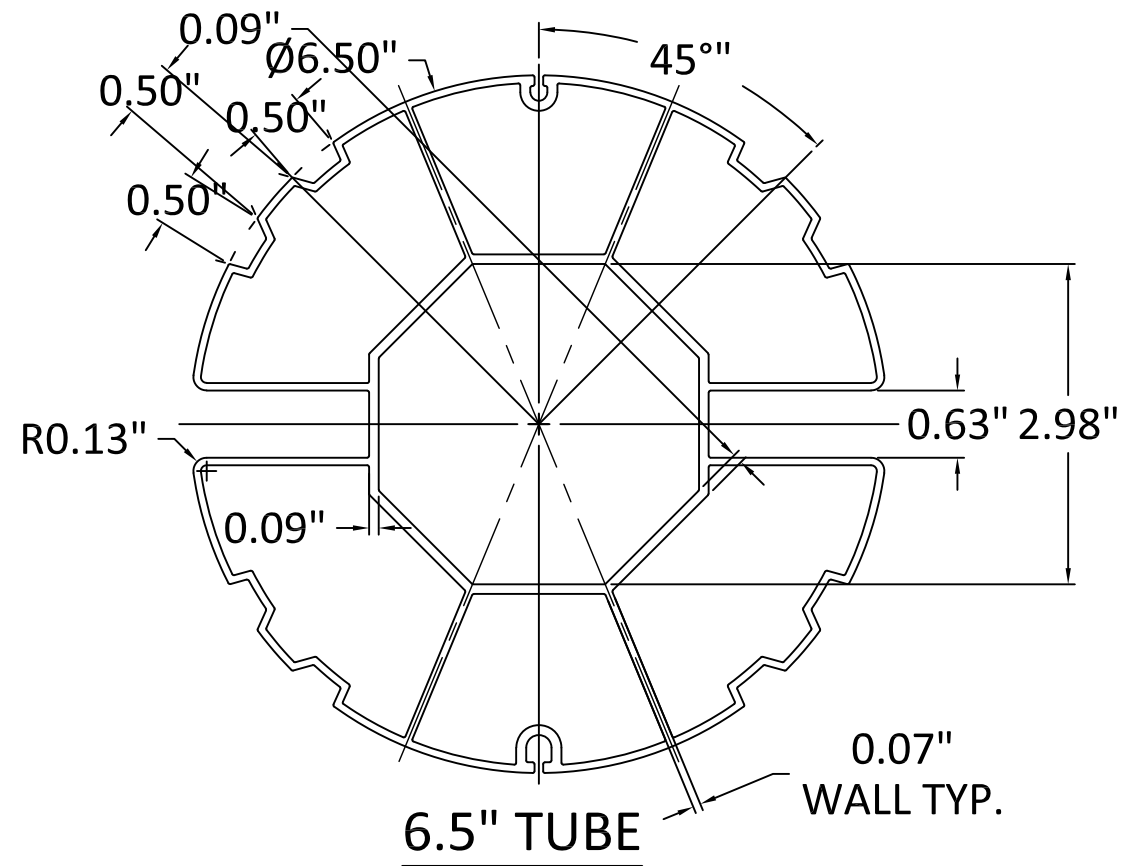
DWG. #: PRG003

SHEET: OF 29

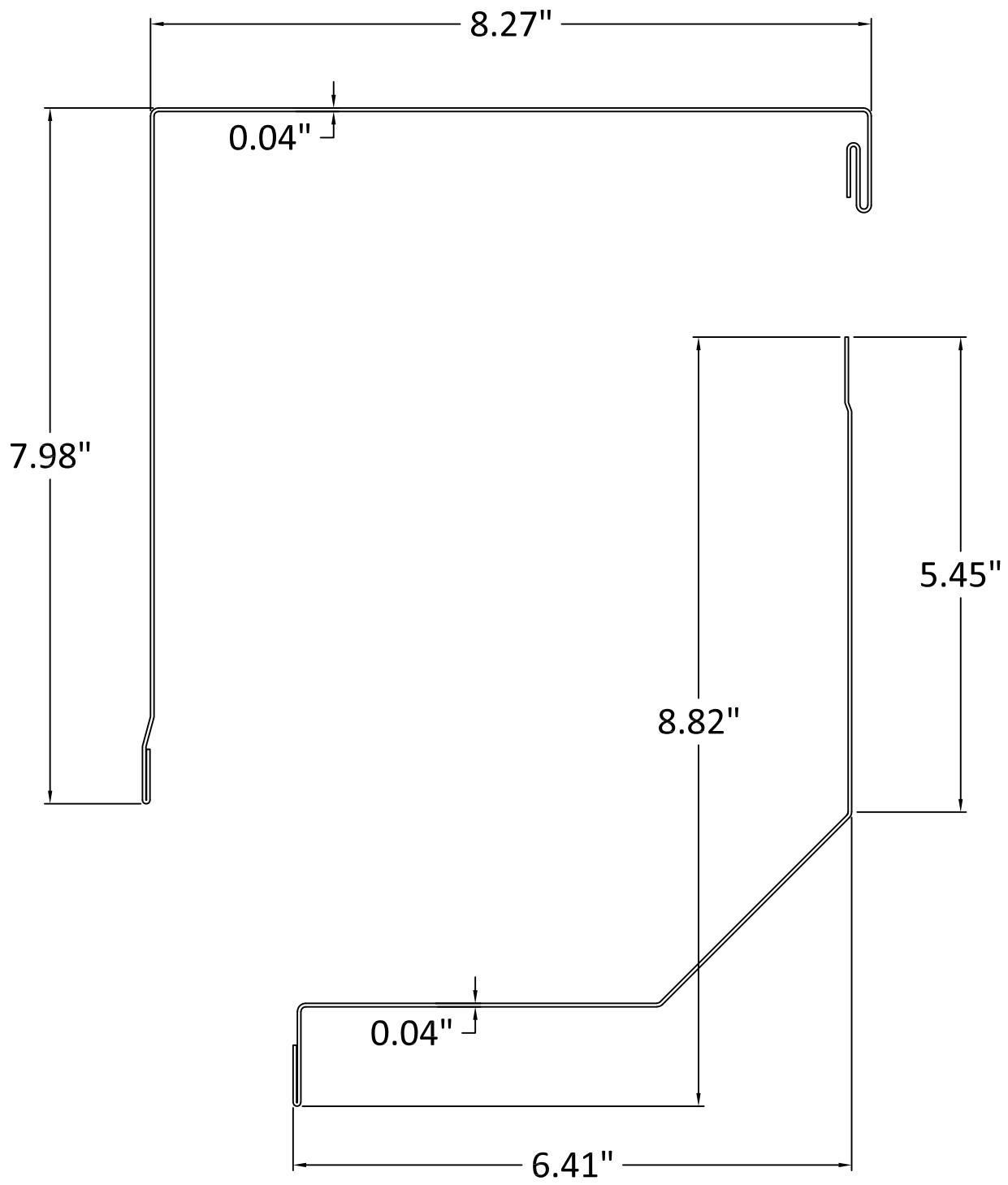
24

12/17/2020 6:27 PM
 s:\projects\progressive\screens\fbic-20-0411-2-fbc-submittal-1130798 magnatrack fabric roll shutter-new profile.dwg\p003 hvhz fabric roll-down submittal.dwg

6.5" TUBE AND 8" ROLL FORMED HOOD DETAILS




NOTE:
6.5" TUBE IS COMPATIBLE WITH
7.5", 8", 10", OR 12" HOOD.



PREPARED BY:

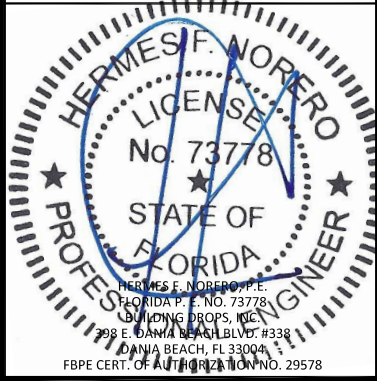
BUILDING DROPS, INC.
 398 E. DANIA BEACH BLVD., STE. 338
 DANIA BEACH, FL 33004
 PH: (954)399-8478
 FAX: (954)744.4738
 WEB: www.buildingdrops.com

TITLE:
MAGNATRACK HURRICANE SYSTEM
6.5" TUBE & 7.5" HOOD DETAILS


 5350 PINKNEY AVE,
 SARASOTA, FLORIDA 34233
 PH: 866-802-0400

REMARKS	BY	DATE
NEW TESTING UPDATE	SM	12/9/20

THE INSTALLATION DETAILS DESCRIBED HEREIN ARE GENERIC AND MAY NOT REFLECT ACTUAL CONDITIONS FOR A SPECIFIC SITE. IF SITE CONDITIONS CAUSE INSTALLATION TO DEVIATE FROM THE REQUIREMENTS DETAILED HEREIN, A LICENSED ENGINEER OR ARCHITECT SHALL PREPARE SITE SPECIFIC DOCUMENTS FOR USE WITH THIS DOCUMENT.



FL30798

DATE: 10.15.19

DWG. BY: SM/AR CHK. BY: HFN

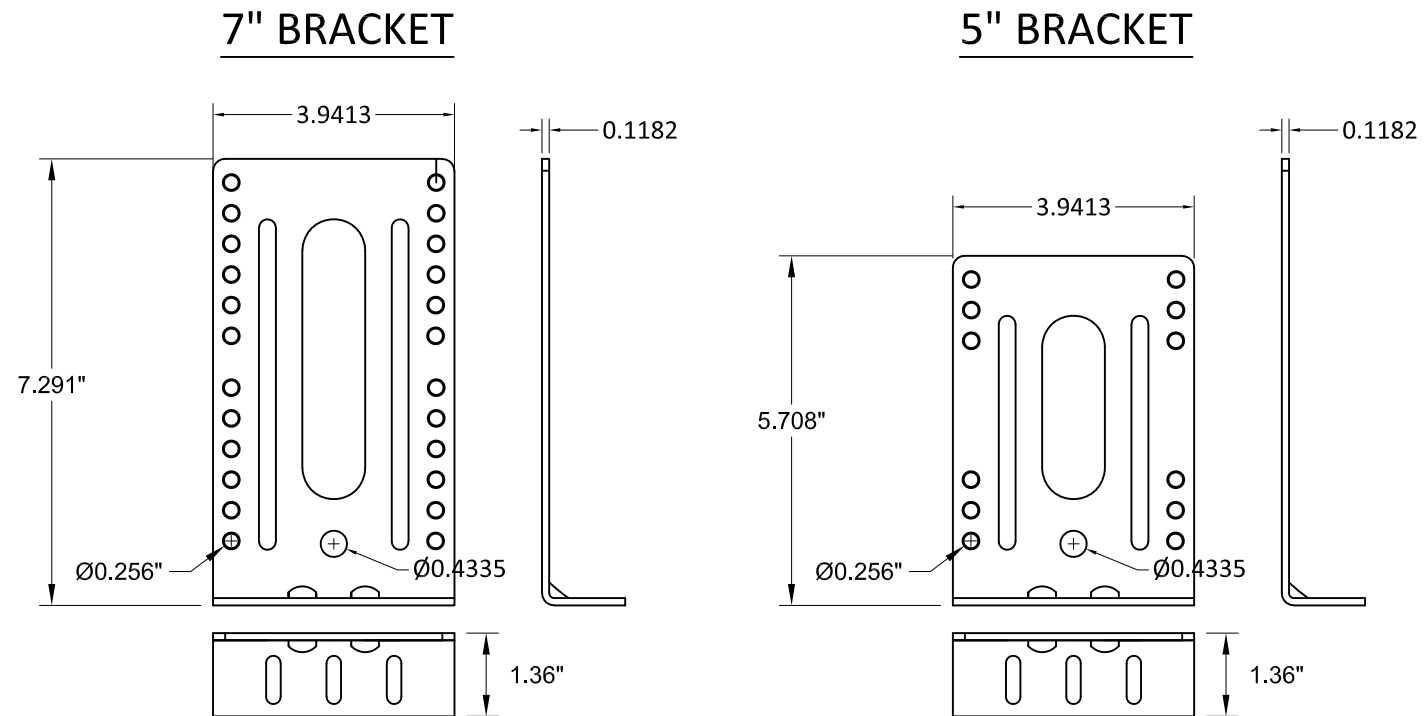
SCALE: NTS

DWG. #: PRG003

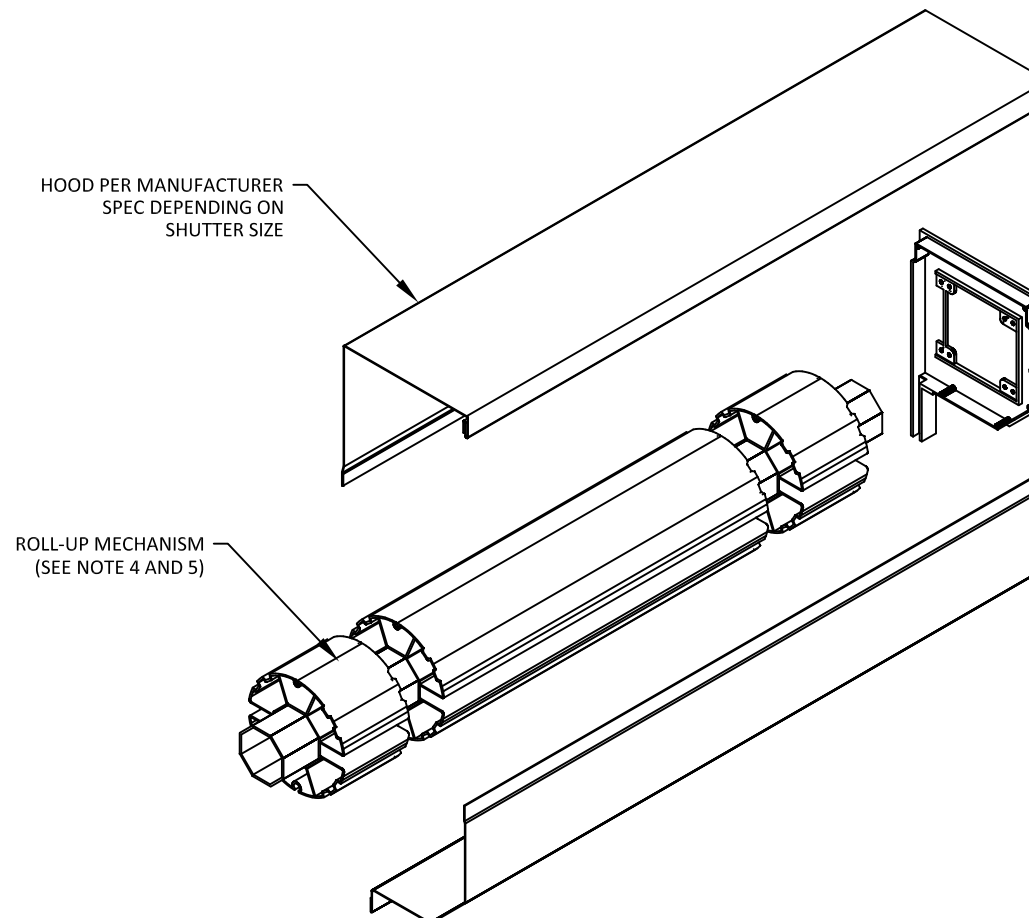
SHEET: OF 29

s:\projects\progressive screens\fb-20-0411.2-fbc-submittal-fb30798 magnatrack fabric roll shutter-new profile.dwg\p003 hvhz fabric roll-down submittal.dwg 12/17/2020 6:27 PM

MOUNTING BRACKETS



TYPICAL ROLL-UP MECHANISM



CONSTRUCTION NOTES

- MAGNETS SPACED AT 16" FROM TOP OF TRACK THEN AT 16" O.C.
- SCREEN FABRIC DESCRIPTION: A WOVEN SCREEN FABRIC USING .027" DIAMETER VINYL COATED 1500 DENIER POLYESTER YARNS IN THE WRAP DIRECTION AND .030" VINYL COATED 2,000D ARAMID YARNS IN THE FILL DIRECTION.
- KEDER IS 4 MM (AT TRACKS) AND 5 MM (AT WEIGHT BAR) PVC CORD PROVIDED BY KEDER SOLUTIONS WITH A TENSILE STRENGTH OF 2100 PSI, WRAPPED AND WELDED WITH A DOUBLE FLAP KEDER USING STANDARD WEAVE FABRIC (WHITE OR BLACK) PROVIDED BY KEDER SOLUTIONS, WITH 64 MM WIDTH (AT TRACKS) AND 74 MM WIDTH (AT WEIGHT), WITH A DOUBLE ROW OF STITCHING, 5 STITCHES PER INCH PER ROW, USING POLYESTER SOL-BLACK THREAD, PART NO. 1466047, SUPPLIED BY ACTION UPHOLSTERY.
- THE ROLL-UP MECHANISM (GEARS, MOTOR, SUPPORTING END PLATES, MOUNTING BRACKETS) ARE NOT A PART OF THIS APPROVAL AND SHALL BE SELECTED AND INSTALLED BASED ON SCREEN SIZE AND MANUFACTURER'S SPECIFICATIONS FOR PROPER OPERATION.
- 4", 5.5, 6" OR 6.5" DIAMETER REEL TUBE PER MANUFACTURER SPECIFICATION
- TUBULAR MOTOR MAY BE REPLACED WITH GEAR FOR MANUAL OPERATION.

FABRIC MATERIAL PROPERTIES

PROPERTY	UNITS	STANDARD	ALLOWABLE	ACTUAL
SELF IGNITION TEMPERATURE	°F	D1929	>650	751
RATE OF BURN (CLASS C1)	IN/MIN	D635	< 1.0	0.0
SMOKE DENSITY	SDR	D2843	<75%	10.6%
ACCELERATED WEATHERING	PSI	G155 / D638	< 10%	7.8%

PREPARED BY:



BUILDING DROPS, INC.

398 E. DANIA BEACH BLVD., STE. 338
DANIA BEACH, FL 33004
PH: (954)399-8478
FAX: (954)744.4738
WEB: www.buildingdrops.com

MAGNATRACK HURRICANE SYSTEM
HOOD ASSEMBLY

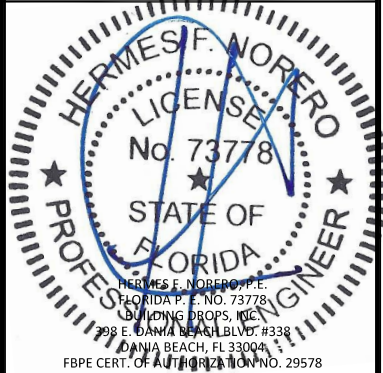


5350 PINKNEY AVE,
SARASOTA, FLORIDA 34233
PH: 866-802-0400

TITLE:

REMARKS	BY	DATE
NEW TESTING UPDATE	SM	12/9/20

THE INSTALLATION DETAILS DESCRIBED HEREIN ARE GENERIC AND MAY NOT REFLECT ACTUAL CONDITIONS FOR A SPECIFIC SITE. IF SITE CONDITIONS CAUSE INSTALLATION TO DEVIATE FROM THE REQUIREMENTS DETAILED HEREIN, A LICENSED ENGINEER OR ARCHITECT SHALL PREPARE SITE SPECIFIC DOCUMENTS FOR USE WITH THIS DOCUMENT.



FL30798

DATE: 10.15.19

DWG. BY: SM/AR
CHK. BY: HFN

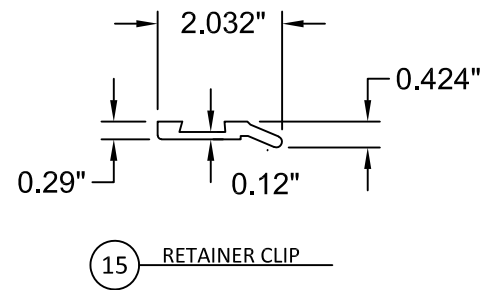
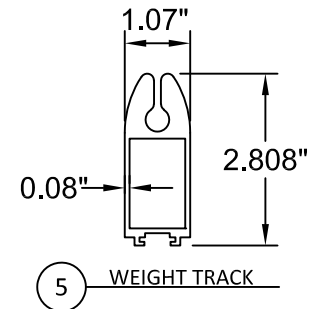
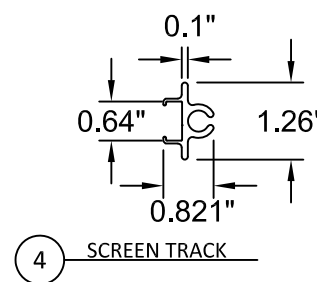
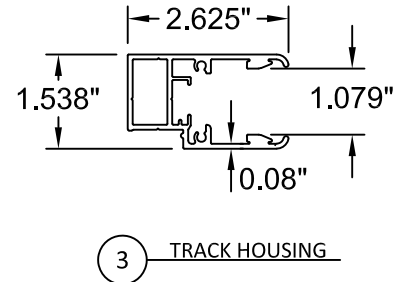
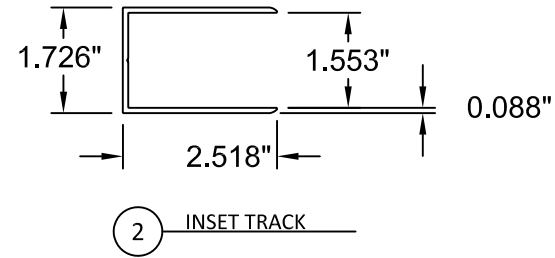
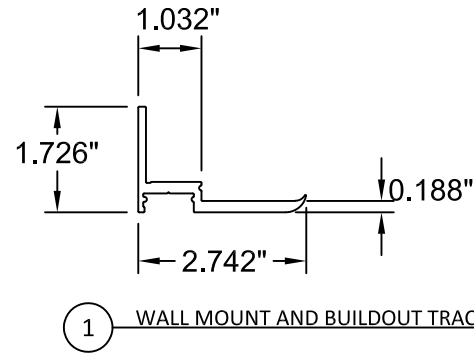
SCALE: NTS

DWG. #: PRG003

SHEET: OF 29

26

BILL OF MATERIALS		
ITEM	DESCRIPTION	MATERIAL
1	WALL MOUNT & BUILDOUT TRACK	-
2	INSET TRACK	-
3	TRACK HOUSING	-
4	SCREEN TRACK	-
5	WEIGHT TRACK	-
6	5 1/2" HOOD CAP	-
7	6" EXTRUDED HOOD CAP	-
8	-	-
9	7 1/2" EXTRUDED HOOD CAP	-
10	8" SL HOOD CAP	-
11	8" LL HOOD CAP	-
12	10" SL HOOD CAP	-
13	10" LL HOOD CAP	-
14	12" HOOD CAP	-
15	RETAINER CLIP	-




PREPARED BY:



BUILDING DROPS, INC.
 398 E. DANIA BEACH BLVD., STE. 338
 DANIA BEACH, FL 33004
 PH: (954)399-8478
 FAX: (954)744.4738
 WEB: www.buildingdrops.com


TITLE: **MAGNATRACK HURRICANE SYSTEM**
BOM & COMPONENTS



5350 PINKNEY AVE,
 SARASOTA, FLORIDA 34233
 PH: 866-802-0400

REMARKS	BY	DATE
NEW TESTING UPDATE	SM	12/9/20

THE INSTALLATION DETAILS DESCRIBED HEREIN ARE GENERIC AND MAY NOT REFLECT ACTUAL CONDITIONS FOR A SPECIFIC SITE. IF SITE CONDITIONS CAUSE INSTALLATION TO DEVIATE FROM THE REQUIREMENTS DETAILED HEREIN, A LICENSED ENGINEER OR ARCHITECT SHALL PREPARE SITE SPECIFIC DOCUMENTS FOR USE WITH THIS DOCUMENT.



HERMES F. NORERO, P.E.
 FLORIDA P. E. NO. 73778
 BUILDING DROPS, INC.
 398 E. DANIA BEACH BLVD #338
 DANIA BEACH, FL 33004
 FBPE CERT. OF AUTHORIZATION NO. 29578

FL30798

DATE: 10.15.19

DWG. BY: SM/AR CHK. BY: HFN

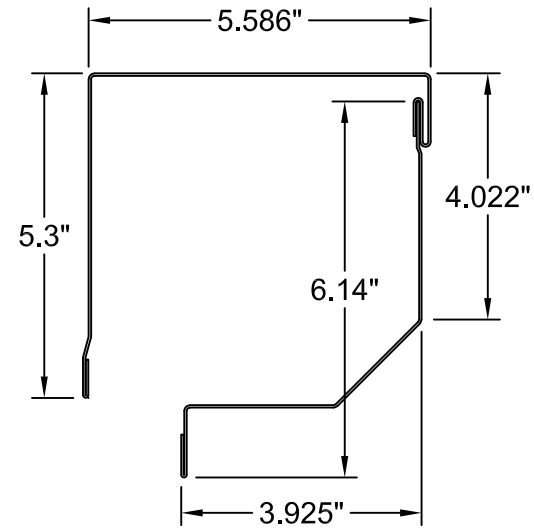
SCALE: NTS

DWG. #: PRG003

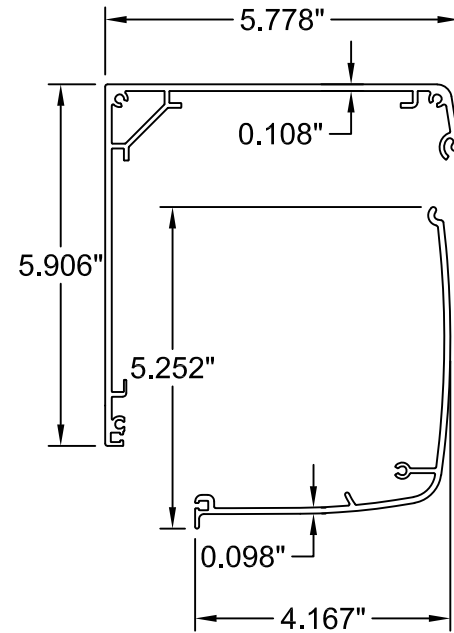
SHEET: OF 29

27

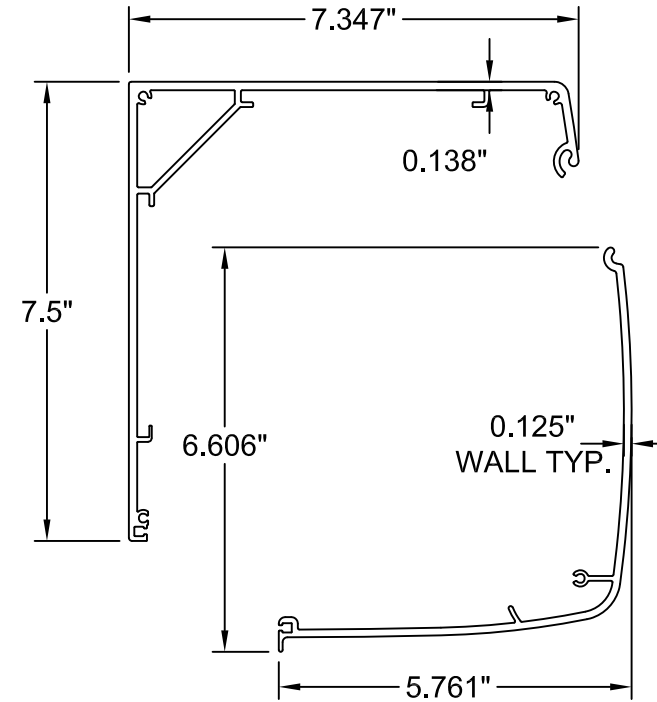
HOOD OPTIONS



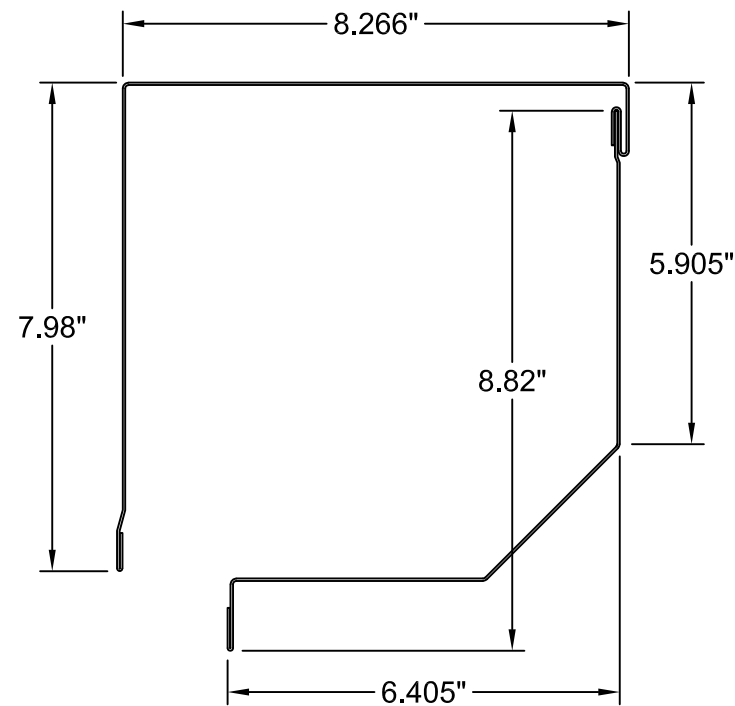
6 5 1/2" HOOD CAP



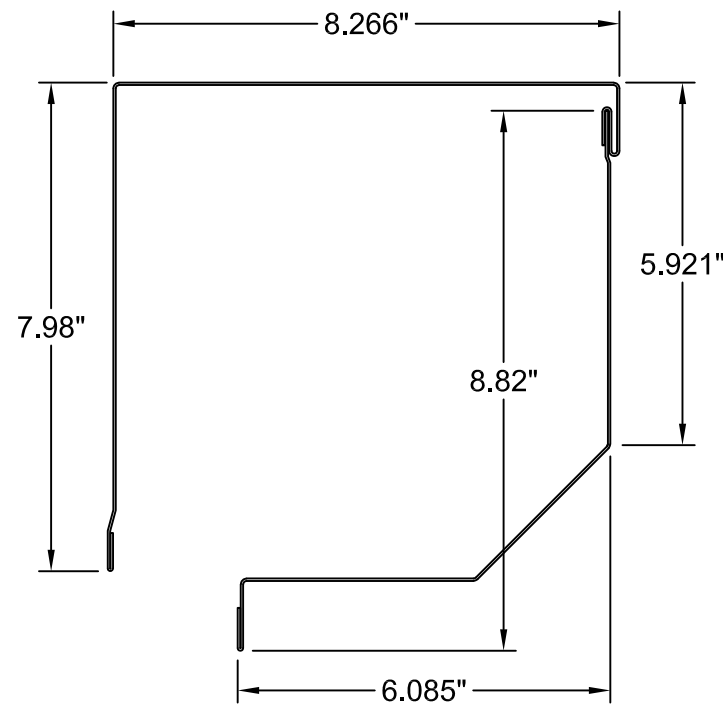
7 6" EXTRUDED HOOD CAP



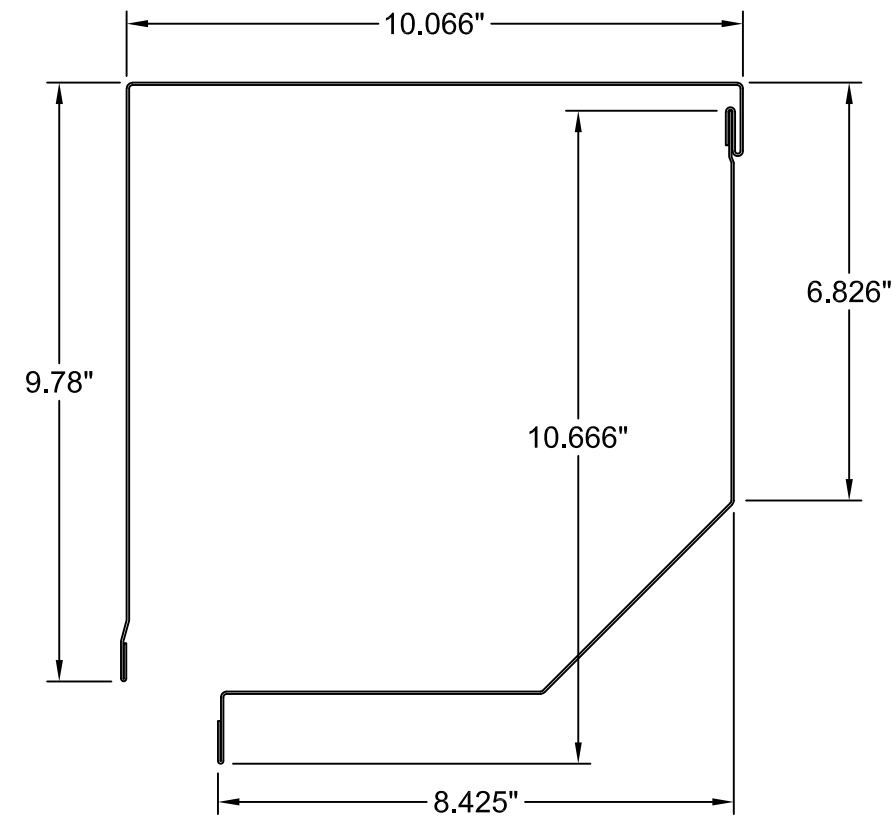
9 7 1/2" EXTRUDED HOOD CAP



10 8" (SL) HOOD CAP



11 8" (LL) HOOD CAP




12 10" (SL) HOOD CAP

PREPARED BY:

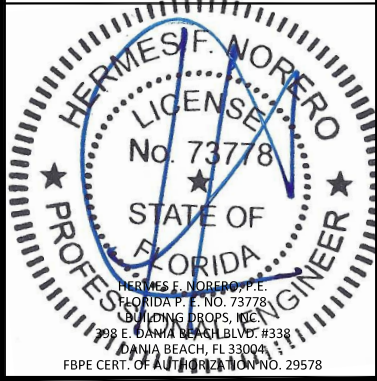
BUILDING DROPS, INC.
 398 E. DANIA BEACH BLVD., STE. 338
 DANIA BEACH, FL 33004
 PH: (954)399-8478
 FAX: (954)744.4738
 WEB: www.buildingdrops.com

TITLE: **MAGNATRACK HURRICANE SYSTEM**
HOOD OPTIONS


 5350 PINKNEY AVE,
 SARASOTA, FLORIDA 34233
 PH: 866-802-0400

REMARKS	BY	DATE
NEW TESTING UPDATE	SM	12/9/20

THE INSTALLATION DETAILS DESCRIBED HEREIN ARE GENERIC AND MAY NOT REFLECT ACTUAL CONDITIONS FOR A SPECIFIC SITE. IF SITE CONDITIONS CAUSE INSTALLATION TO DEVIATE FROM THE REQUIREMENTS DETAILED HEREIN, A LICENSED ENGINEER OR ARCHITECT SHALL PREPARE SITE SPECIFIC DOCUMENTS FOR USE WITH THIS DOCUMENT.



FL30798

DATE: 10.15.19

DWG. BY: SM/AR	CHK. BY: HFN
----------------	--------------

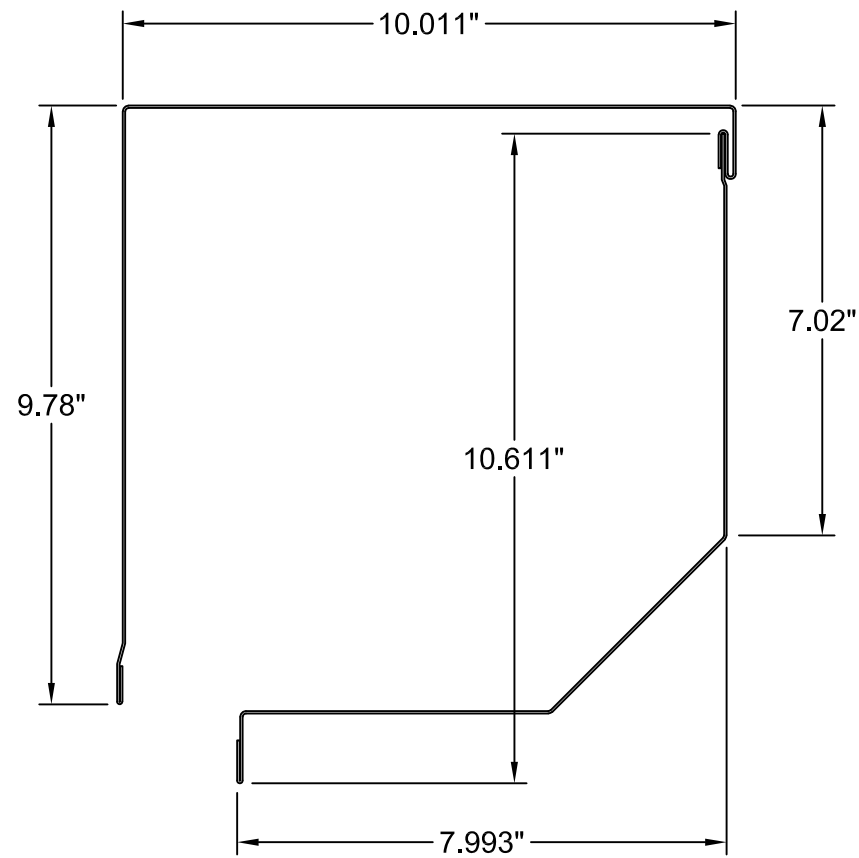
SCALE: NTS

DWG. #: PRG003

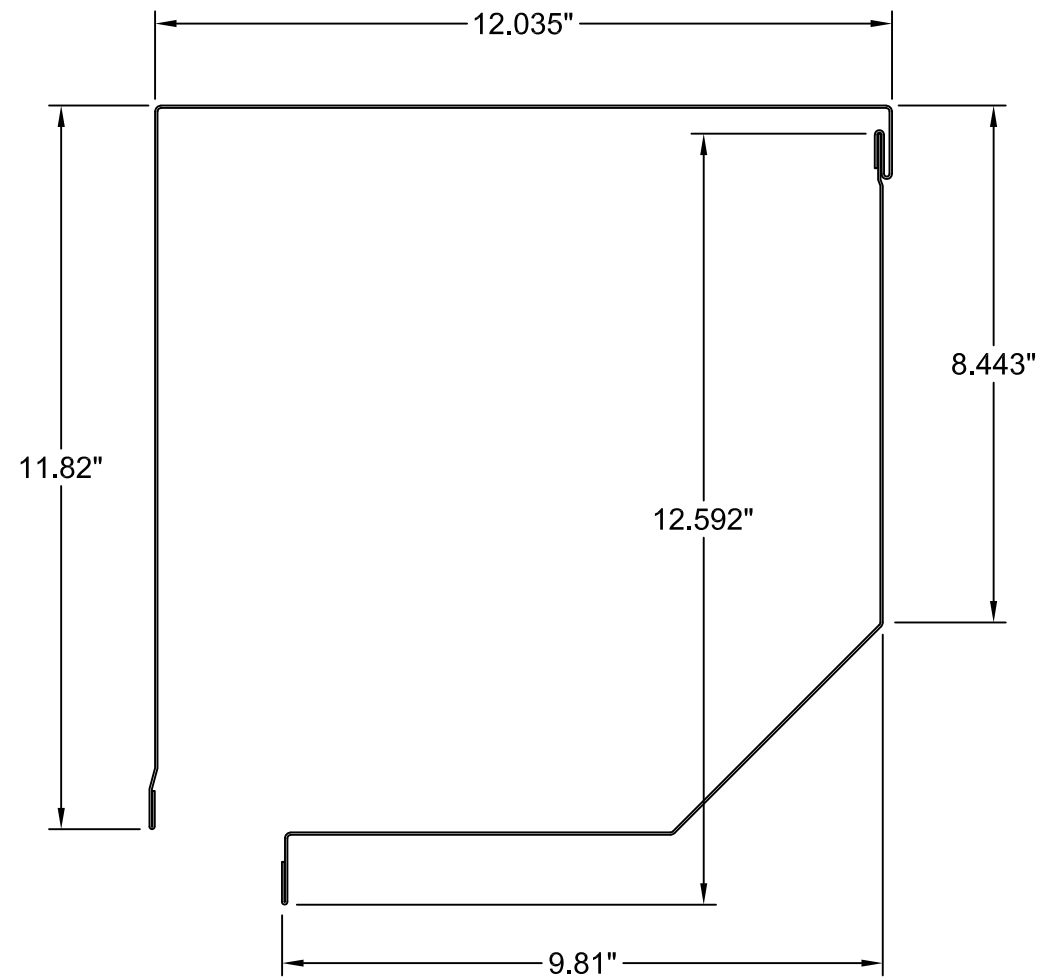
SHEET: OF 29

12/17/2020 6:27 PM
 s:\projects\progressive screens\fb-20-0411-2-fbc-submittal\fb-20-0411-2-fbc-submittal-1130798 magnatrack fabric roll shutter-new profile\dwg\p003 hvhz fabric roll-down submittal.dwg

HOOD OPTIONS (CONT)



13 10" (LL) HOOD CAP




14 12" HOOD CAP

PREPARED BY:

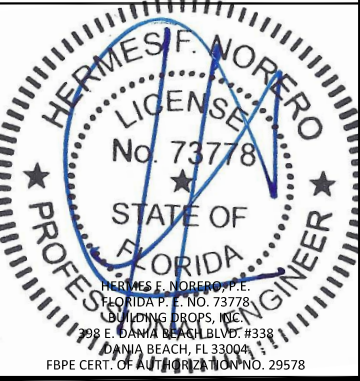
BUILDING DROPS, INC.
 398 E. DANIA BEACH BLVD., STE. 338
 DANIA BEACH, FL 33004
 PH: (954)399-8478
 FAX: (954)744.4738
 WEB: www.buildingdrops.com

TITLE: MAGNATRACK HURRICANE SYSTEM
 HOOD OPTIONS (CONT)


 5350 PINKNEY AVE,
 SARASOTA, FLORIDA 34233
 PH: 866-802-0400

REMARKS	BY	DATE
NEW TESTING UPDATE	SM	12/9/20

THE INSTALLATION DETAILS DESCRIBED HEREIN ARE GENERIC AND MAY NOT REFLECT ACTUAL CONDITIONS FOR A SPECIFIC SITE. IF SITE CONDITIONS CAUSE INSTALLATION TO DEVIATE FROM THE REQUIREMENTS DETAILED HEREIN, A LICENSED ENGINEER OR ARCHITECT SHALL PREPARE SITE SPECIFIC DOCUMENTS FOR USE WITH THIS DOCUMENT.



FL30798

DATE: 10.15.19

DWG. BY: SM/AR CHK. BY: HFN

SCALE: NTS

DWG. #: PRG003

SHEET: OF 29

s:\projects\progressive screens\fbc-20-0411.2-fbc-submittal-f30798 magnatrack fabric roll shutter-new profile\dwg\p03 hvhz fabric rolldown submittal.dwg 12/17/2020 6:27 PM