

GENERAL NOTES:

1. **EXTRUDED BERTHA BAHAMA SHUTTER** SHOWN ON THIS PRODUCT EVALUATION DOCUMENT (P.E.D.) HAS BEEN VERIFIED FOR COMPLIANCE IN ACCORDANCE WITH THE **2020** (7th EDITION) OF THE FLORIDA BUILDING CODE. THIS BAHAMA SHUTTER SYSTEM MAY BE INSTALLED AT HIGH VELOCITY HURRICANE ZONES.

DESIGN WIND LOADS SHALL BE DETERMINED AS PER SECTION **1620** OF THE ABOVE MENTIONED CODE, FOR A BASIC WIND SPEED AS REQUIRED BY THE JURISDICTION WHERE THESE SHUTTERS WILL BE INSTALLED FOR A DIRECTIONALITY FACTOR $K_d=0.85$. USING **ASCE 7-16** AND SHALL NOT EXCEED THE MAXIMUM (A.S.D.) DESIGN PRESSURE RATINGS INDICATED ON SHEETS 7, 8 & 9.

IN ORDER TO VERIFY THE ABOVE CONDITION, ULTIMATE DESIGN WIND LOADS DETERMINED PER **ASCE 7-16** SHALL BE FIRST REDUCED TO A.S.D. DESIGN WIND LOADS BY MULTIPLYING THEM BY 0.6 IN ORDER TO COMPARE THESE W/ MAX. (A.S.D.) DESIGN PRESSURE RATINGS INDICATED ON SHEETS 7, 8 & 9.

IN ORDER TO VERIFY THAT ANCHORS ON THIS P.E.D., AS TESTED, WERE NOT OVERSTRESSED, A 33% INCREASE IN ALLOWABLE LOADS FOR WIND LOADS WAS **NOT** USED IN THEIR ANALYSIS. HOWEVER, FOR FASTENING INTO WOOD, A 1.60 WIND LOAD DURATION FACTOR WAS USED TO CALCULATE SCREWS SPACINGS.

EXTRUDED BERTHA BAHAMA SHUTTER'S ADEQUACY FOR **IMPACT AND FATIGUE STRENGTH** HAS BEEN VERIFIED IN ACCORDANCE WITH SECTION **1626** OF THE ABOVE MENTIONED CODE AS PER ATL REPORTS #0923.01-97 AND #0309.01-04 AS PER PROTOCOLS **TAS-201, TAS-202 AND TAS-203**.

2. ALL ALUMINUM EXTRUSIONS SHALL BE ALUMINUM ASSOCIATION 6063-T6 ALLOY AND TEMPER, WITH $F_y = 25.0$ ksi MINIMUM (UNLESS OTHERWISE NOTED). ALL ALUMINUM EXTRUSIONS IN CONTACT WITH DISSIMILAR MATERIALS SHALL COMPLY WITH SECTION III-6 OF THE 2015 ALUMINUM DESIGN MANUAL.

3. ALL SCREWS TO BE STAINLESS STEEL 304 OR 316 SERIES W/ 50 ksi YIELD STRENGTH AND 90 ksi TENSILE STRENGTH OR CORROSION RESISTANT COATED CARBON STEEL AS PER DIN 50018 & SHALL COMPLY W/ FLORIDA BUILDING CODE SECTION 2411.3.3.4.

4. BOLTS TO BE ASTM A-307 GALVANIZED STEEL, OR AISI 304 SERIES STAINLESS STEEL WITH 36 ksi MINIMUM YIELD STRENGTH.

5. ALL ALUMINUM POP RIVETS TO BE 5052 ALUMINUM ALLOY WITH ALUMINUM MANDREL.

6. ANCHORS TO WALL SHALL BE AS FOLLOWS: (UNLESS OTHERWISE NOTED)

- (A) TO EXISTING POURED CONCRETE: (Min. $f'_c=3145$ p.s.i.)
- 1/4" ϕ TAPCON ANCHORS AS MANUFACTURED BY I.T.W. BUILDEX.
 - 1/4" ϕ x 7/8" CALK-IN ANCHORS AS MANUFACTURED BY DEWALT, INC.

NOTES:

A.1) MINIMUM EMBEDMENT OF TAPCON ANCHORS INTO POURED CONCRETE IS 1 1/2".

A.2) CALK-IN ANCHORS SHALL BE ENTIRELY EMBEDDED INTO THE POURED CONCRETE. NO EMBEDMENT INTO STUCCO SHALL BE PERMITTED. 1/4" ϕ -20 SCREWS USED SHALL BE 1 1/2" LONG MINIMUM SHOULD STUCCO EXIST AND 1" MINIMUM FOR WALLS WITH NO STUCCO.

A.3) IN CASE THAT PRECAST STONE, PRECAST CONCRETE PANELS, OR PAVERS BE FOUND ON THE EXISTING WALL OR FLOOR, ANCHORS SHALL BE LONG ENOUGH TO REACH THE MAIN STRUCTURE BEHIND SUCH PANELS. ANCHORAGE SHALL BE AS INDICATED ON NOTES A.1) & A.2) ABOVE.

(B) TO EXISTING CONCRETE BLOCK WALL:

- 1/4" ϕ TAPCON ANCHORS AS MANUFACTURED BY I.T.W. BUILDEX.
- 1/4" ϕ x 7/8" CALK-IN ANCHORS AS MANUFACTURED BY DEWALT, INC.

NOTES:

B.1) MINIMUM EMBEDMENT OF TAPCON ANCHORS INTO THE CONCRETE BLOCK UNIT SHALL BE 1 1/4".

B.2) CALK-IN ANCHORS SHALL BE ENTIRELY EMBEDDED INTO THE CONCRETE BLOCK UNIT. NO EMBEDMENT INTO STUCCO SHALL BE PERMITTED. 1/4" ϕ -20 SCREWS USED SHALL BE 1 1/2" LONG MINIMUM SHOULD STUCCO EXIST AND 1" MINIMUM FOR WALLS WITH NO STUCCO.

B.3) IN CASE THAT PRECAST STONE OR PRECAST CONCRETE PANELS BE FOUND ON THE EXISTING WALL, ANCHORS SHALL BE LONG ENOUGH TO REACH THE MAIN STRUCTURE BEHIND SUCH PANELS. ANCHORAGE SHALL BE AS INDICATED ON NOTES B.1) & B.2) ABOVE.

(C) ANCHORS SHALL BE INSTALLED FOLLOWING ALL OF THE RECOMMENDATIONS AND SPECIFICATIONS OF THE ANCHOR'S MANUFACTURER.

7. EACH SHUTTER SHALL HAVE A LEGIBLE AND READILY VISIBLE MARKING INSTRUCTING OWNER OR TENANT TO SECURE SHUTTER WITH SIDE & SILL BRACKETS DURING PERIODS OF HURRICANE WARNINGS.

8. IT SHALL BE THE RESPONSIBILITY OF THE CONTRACTOR TO VERIFY THE SOUNDNESS OF THE STRUCTURE WHERE SHUTTER IS TO BE ATTACHED TO INSURE PROPER ANCHORAGE. CONTRACTOR TO SEAL/CAULK ALL SHUTTER COMPONENT EDGES WHICH REMAIN IN PERMANENT AND CONTINUOUS CONTACT WITH THE BUILDING TO PREVENT WIND/RAIN INTRUSION. CAULK AND SEAL SHUTTER TRACKS ALL AROUND FULL LENGTH. THIS SHUTTER SHALL ONLY BE ATTACHED TO CONCRETE, BLOCK OR WOOD FRAME BUILDINGS.

9. EXTRUDED BERTHA BAHAMA SHUTTER'S INSTALLATION SHALL COMPLY WITH SPECS INDICATED IN THIS DRAWING PLUS ANY BUILDING AND ZONING REGULATIONS PROVIDED BY THE JURISDICTION WHERE PERMIT IS APPLIED TO.

10. (a) THIS P.E.D. PREPARED BY THIS ENGINEER IS GENERIC AND DOES NOT PROVIDE INFORMATION FOR A SITE SPECIFIC PROJECT; i.e. WHERE THE SITE CONDITIONS DEVIATE FROM THE P.E.D.

(b) CONTRACTOR TO BE RESPONSIBLE FOR THE SELECTION, PURCHASE AND INSTALLATION INCLUDING LIFE SAFETY OF THIS PRODUCT, BASED ON THIS P.E.D., PROVIDED HE/SHE DOES NOT DEVIATE FROM THE CONDITIONS DETAILED ON THIS DOCUMENT. CONSTRUCTION SAFETY AT SITE IS THE CONTRACTOR'S RESPONSIBILITY.

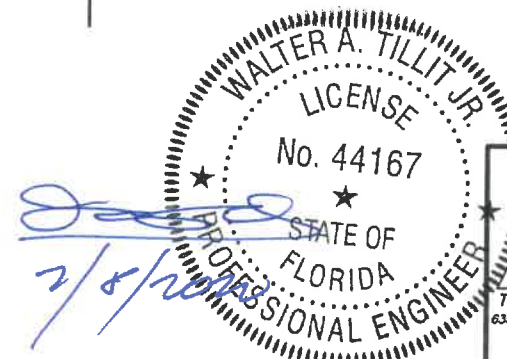
(c) THIS P.E.D. WILL BE CONSIDERED INVALID IF ALTERED BY ANY MEANS.

(d) SITE SPECIFIC PROJECTS SHALL BE PREPARED BY A FLORIDA REGISTERED ENGINEER OR ARCHITECT WHICH WILL BECOME THE ENGINEER OF RECORD (E.O.R.) FOR THE PROJECT AND WHO WILL BE RESPONSIBLE FOR THE PROPER USE OF THE P.E.D. ENGINEER OF RECORD, ACTING AS A DELEGATED ENGINEER TO THE P.E.D. ENGINEER SHALL SUBMIT TO THIS LATTER THE SITE SPECIFIC DRAWINGS FOR REVIEW.

(e) ORIGINAL P.E.D. SHALL BEAR THE DATE AND ORIGINAL SEAL AND SIGNATURE OF THE PROFESSIONAL ENGINEER OF RECORD THAT PREPARED IT.

11. SHUTTER MANUFACTURER'S LABEL SHALL BE LOCATED ON A READILY VISIBLE LOCATION AT BAHAMA SHUTTER, IN ACCORDANCE WITH SECTION 1709.9.3 OF FLORIDA BUILDING CODE. ONE LABEL SHALL BE PLACED FOR EVERY OPENING. LABELING TO COMPLY WITH SECTION 1709.9.2 OF THE FLORIDA BUILDING CODE.

THIS DRAWING SHALL ONLY BE USED TO OBTAIN PERMITS IN THE STATE OF FLORIDA



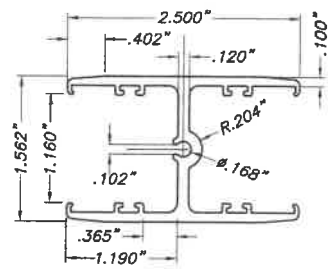
© 2020 TILTECO, INC.

TILTECO INC.

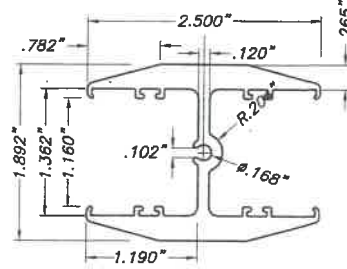
TILLIT TESTING & ENGINEERING COMPANY
6355 N.W. 36th St., Ste. 305, VIRGINIA GARDENS, FLORIDA 33166
Phone: (305)871-1530 Fax: (305)871-1531
CA-0008719
WALTER A. TILLIT Jr., P.E.
FLORIDA Lic. # 44167

FLORIDA BUILDING CODE (High Velocity Hurricane Zone)

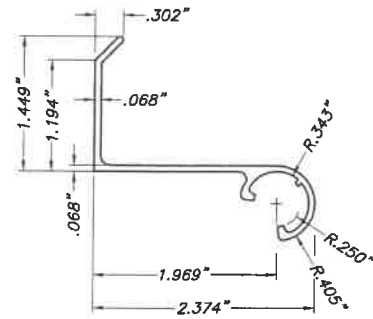
ASSA / EXTRUDED BERTHA BAHAMA SHUTTER		M.P. DRAWN BY:	
AMERICAN SHUTTER SYSTEMS ASSOC., INC.		07/1/2020 DATE:	
4268 WEST ROADS DRIVE WEST PALM BEACH, FL 33407 PHONE: (800)432-2204, FAX: (561)209-8380		20-161 DRAWING No	
REV. No	DESCRIPTION	DATE	REV. No
1	OLD 17-104	07/1/2020	3
2			4



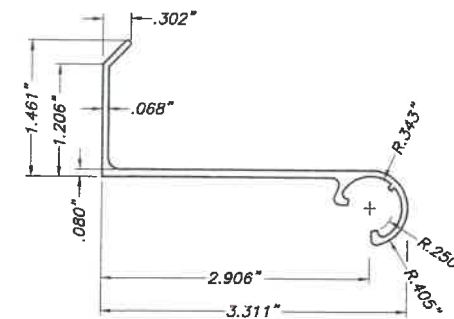
(A1) REGULAR INTERIOR MULLION
6005-T5 Alum. ALLOY
SCALE: 1/2" = 1"



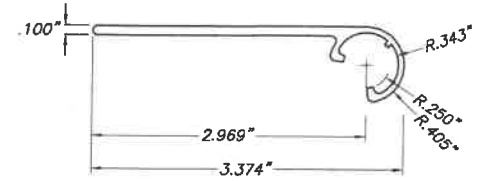
(A2) HEAVY INTERIOR MULLION
6005-T5 Alum. ALLOY
SCALE: 1/2" = 1"



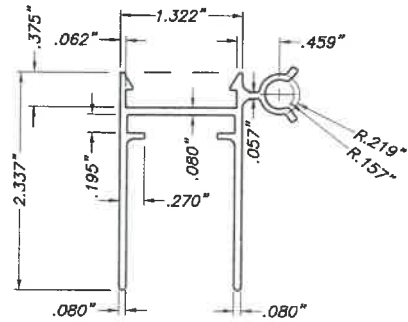
(B) FEMALE HINGE
SCALE: 1/2" = 1"



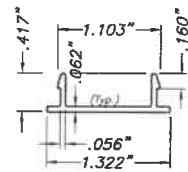
(C) 1" B. O. FEMALE HINGE
SCALE: 1/2" = 1"



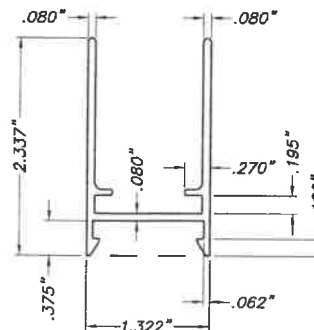
(D) FLAT FEMALE HINGE
SCALE: 1/2" = 1"



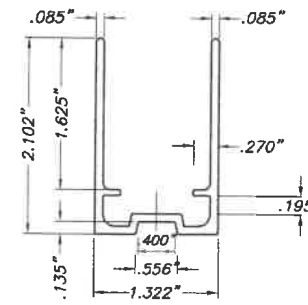
(E) BAHAMA MALE TOP FRAME
SCALE: 1/2" = 1"



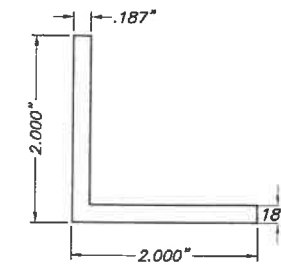
(F) SNAP CAP
SCALE: 1/2" = 1"



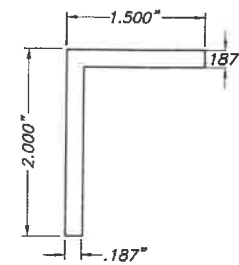
(G) BAHAMA FRAME
SCALE: 1/2" = 1"



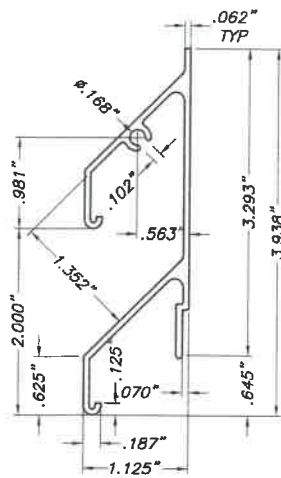
(G1) ALTERNATE BAHAMA FRAME
SCALE: 1/2" = 1"



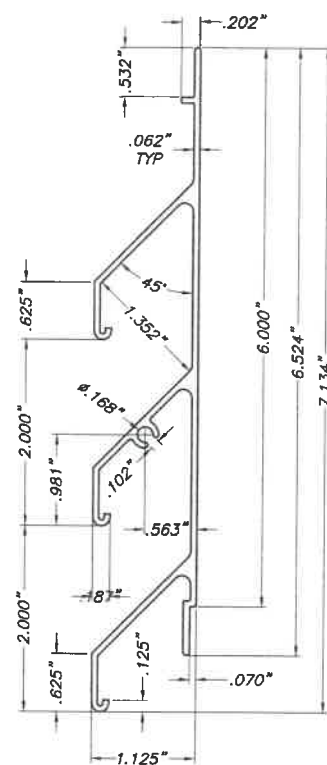
(H) CORNER KEY
1" LONG
SCALE: 1/2" = 1"



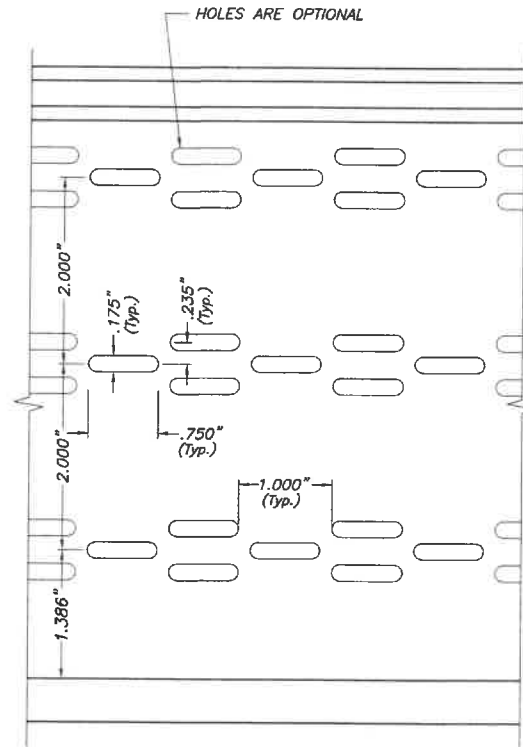
(N) WALL MOUNT Alum. BRACKET
7" LONG
SCALE: 1/2" = 1"



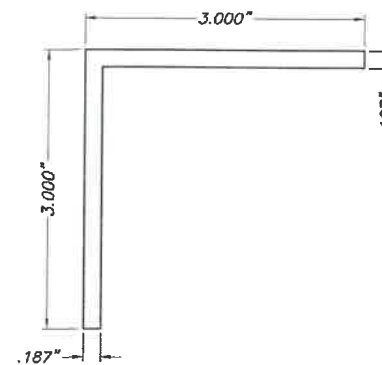
(I) HALF SHUTTER BLADE
SCALE: 1/2" = 1"



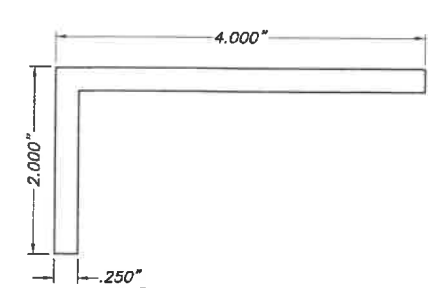
(J) SHUTTER BLADE
SCALE: 1/2" = 1"



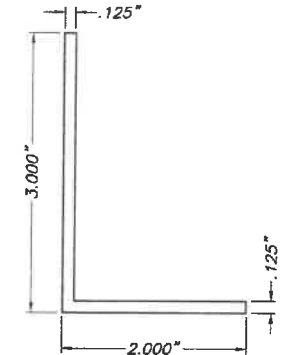
SHUTTER BLADE ELEVATION
SCALE: 1/2" = 1"



(O) BUILD-OUT Alum. BRACKET
7" LONG
SCALE: 1/2" = 1"

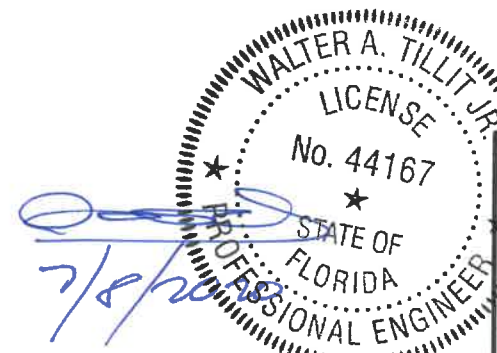


(P) BUILD-OUT SIDE BRACKET
7" LONG
SCALE: 1/2" = 1"



(Q) SILL ANGLE
SCALE: 1/2" = 1"

COMPONENTS



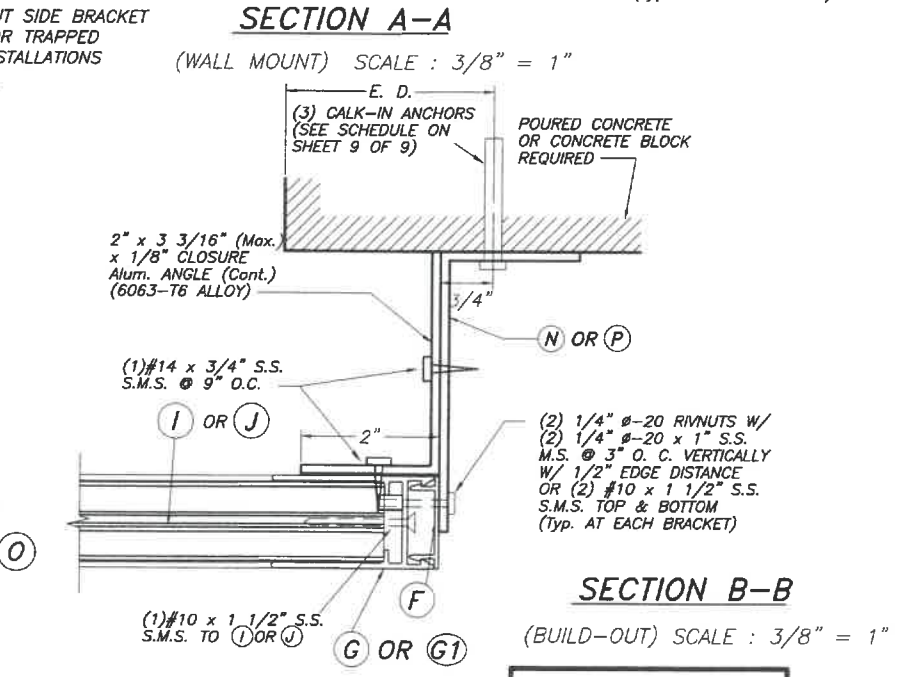
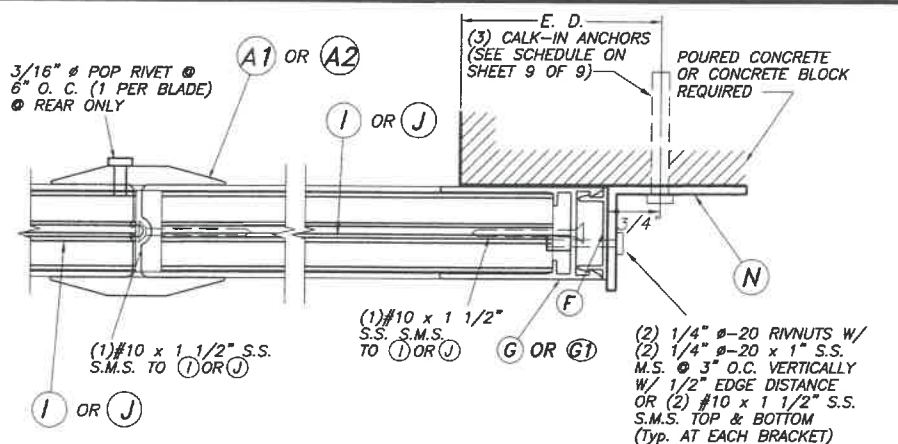
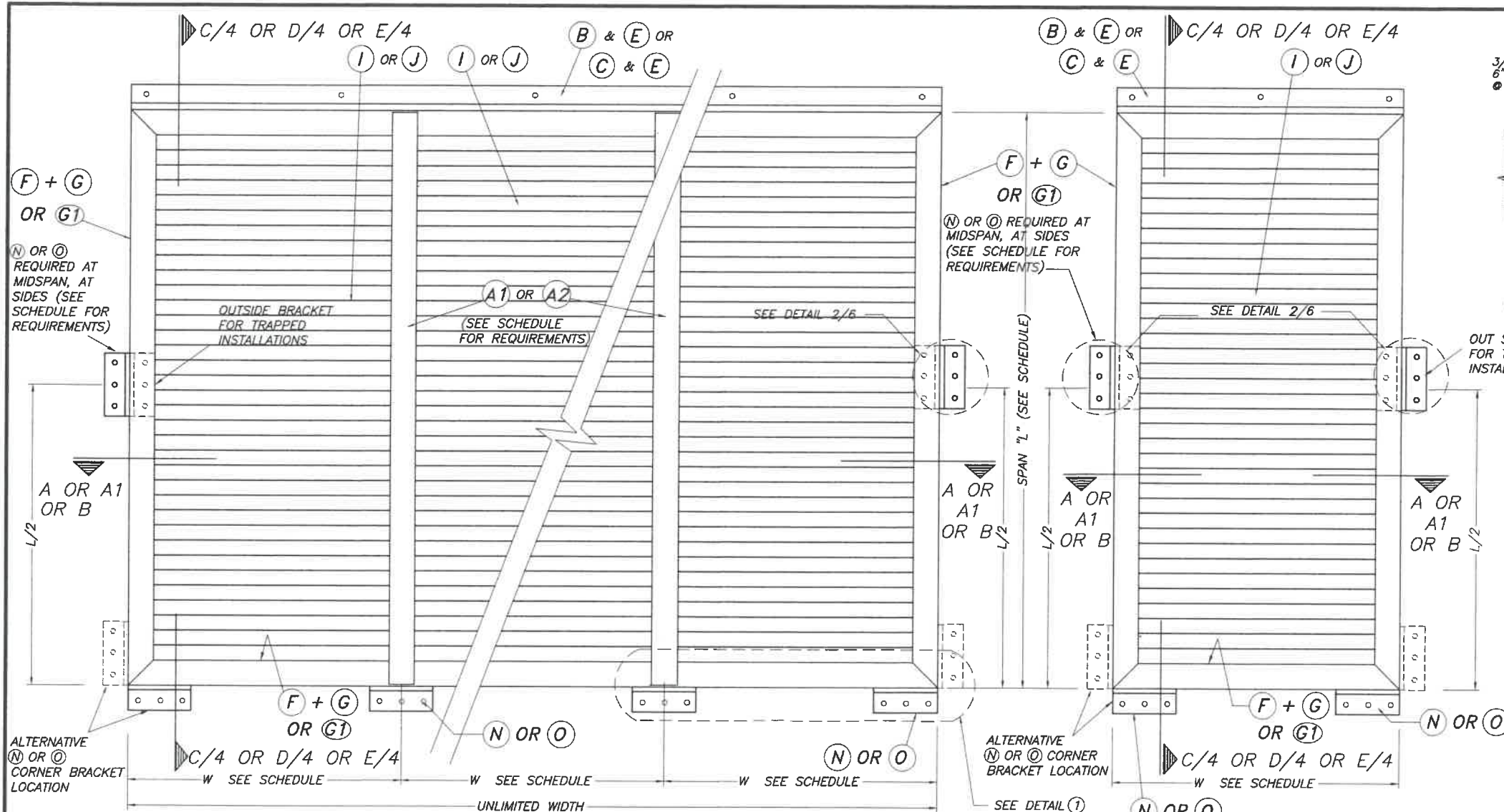
© 2020 TILTECO, INC.
TILTECO INC.
TILLIT TESTING & ENGINEERING COMPANY
6355 N.W. 38th St., Ste. 305, VIRSHIA GARDENS, FLORIDA 33168
Phone: (305)871-1930 Fax: (305)871-1531
CA-0006719
WALTER A. TILLIT Jr., P.E.
FLORIDA Lic. # 44167

FLORIDA BUILDING CODE (High Velocity Hurricane Zone)

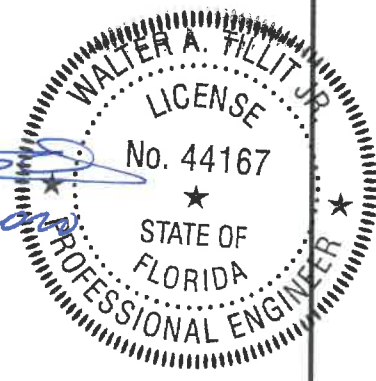
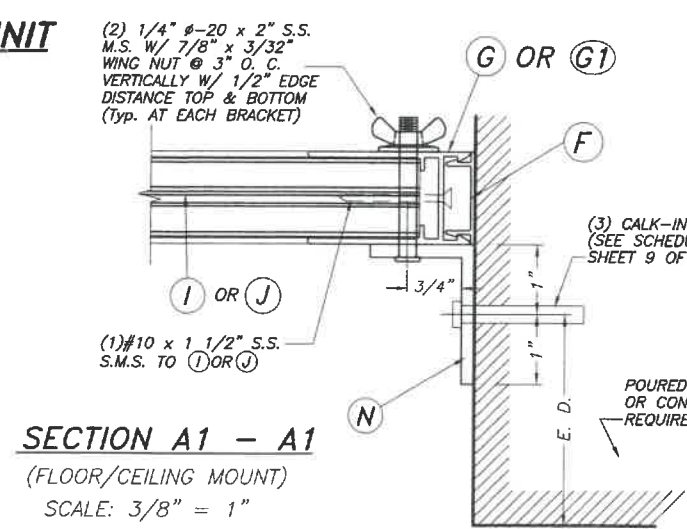
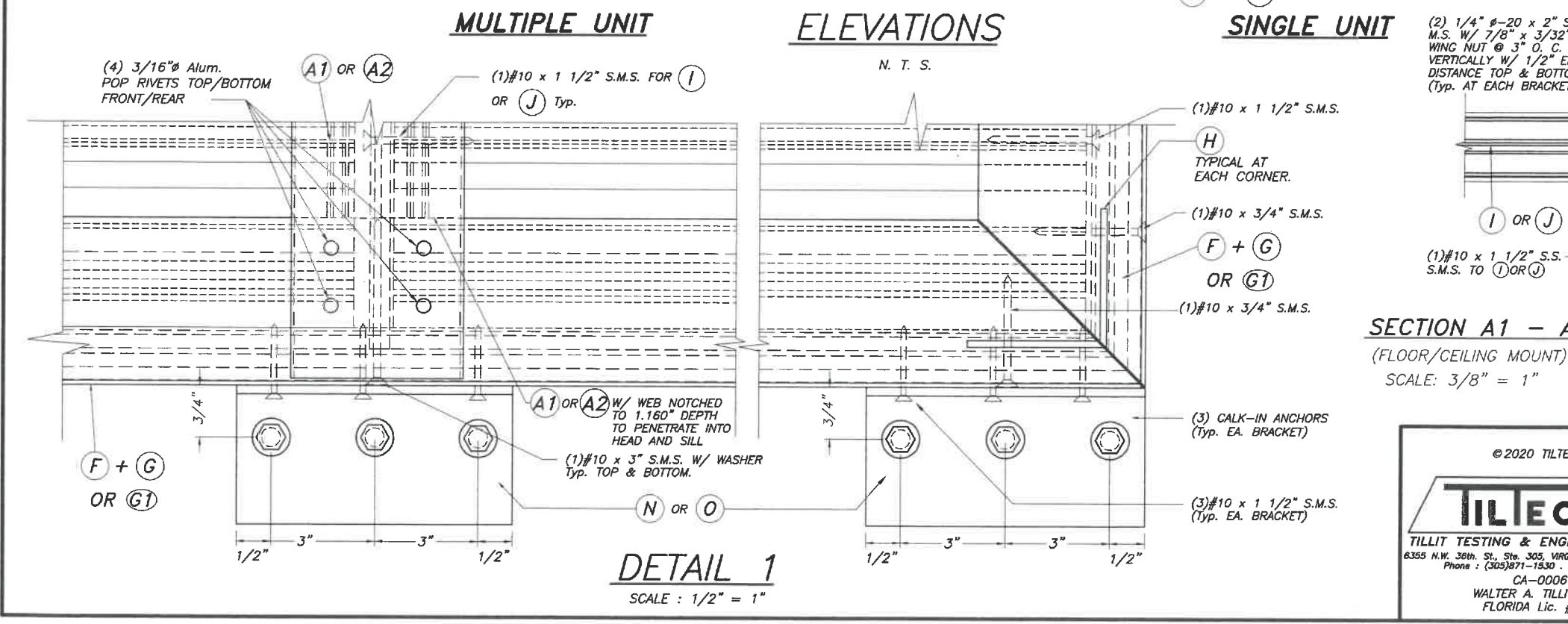
ASSA / EXTRUDED BERTHA BAHAMA SHUTTER
AMERICAN SHUTTER SYSTEMS ASSOC., INC.
4268 WEST ROADS DRIVE
WEST PALM BEACH, FL 33407
PHONE: (800)432-2204
FAX: (561)209-8380

REV. No	DESCRIPTION	DATE	REV. No	DESCRIPTION	DATE
1	OLD 17-104	07/1/2020	3		
2			4		

M.P.
DRAWN BY:
07/1/2020
DATE:
20-161
DRAWING No
SHEET 2 OF 9



NOTE:
E. D. = 3 1/2" Min.



© 2020 TILTECO, INC.

TILTECO INC.

TILLIT TESTING & ENGINEERING COMPANY
6355 N.W. 36th St., Ste. 305, VIRGINIA GARDENS, FLORIDA 33168
Phone: (305)871-1530 • Fax: (305)871-1531
CA-0006719
WALTER A. TILLIT JR., P.E.
FLORIDA Lic. # 44167

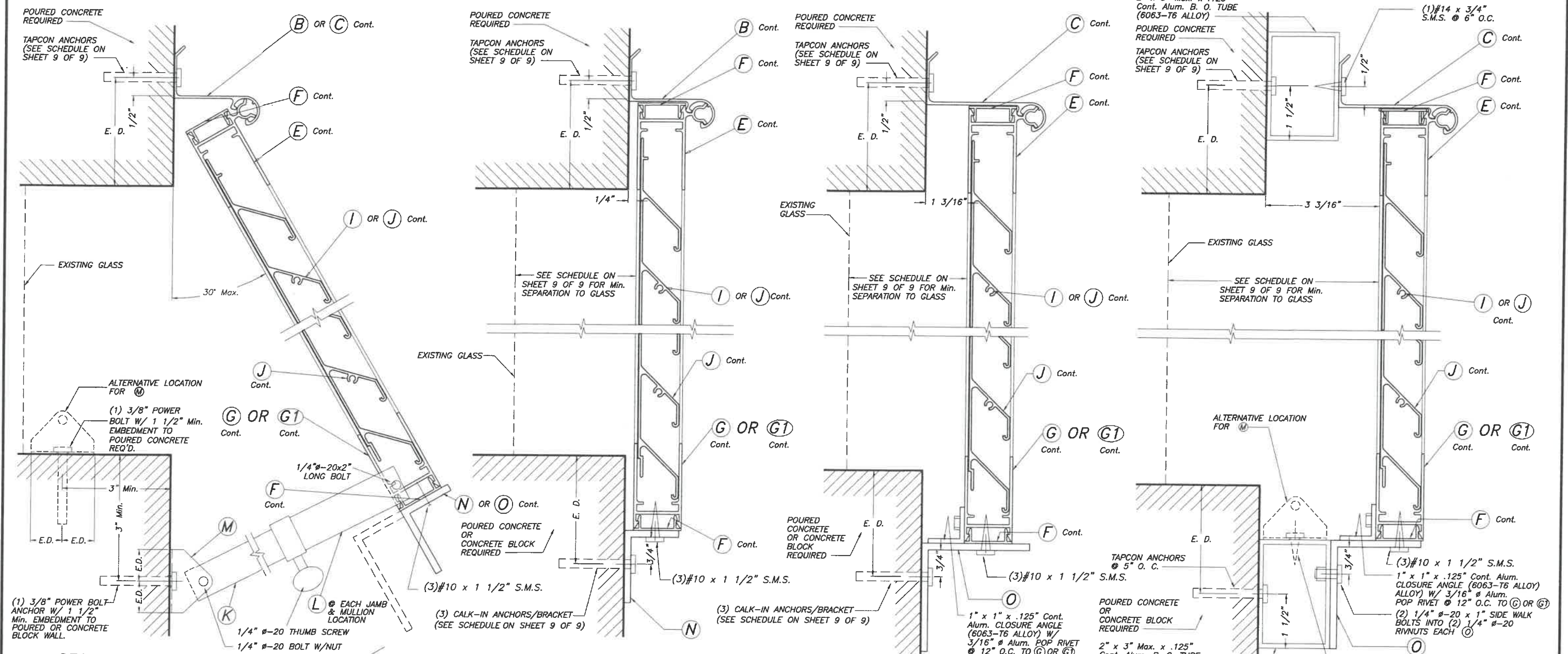
FLORIDA BUILDING CODE (High Velocity Hurricane Zone)

ASSA / EXTRUDED BERTHA BAHAMA SHUTTER

AMERICAN SHUTTER SYSTEMS ASSOC., INC.
4268 WEST ROADS DRIVE
WEST PALM BEACH, FL. 33407
PHONE: (800)432-2204
FAX: (561)209-8380

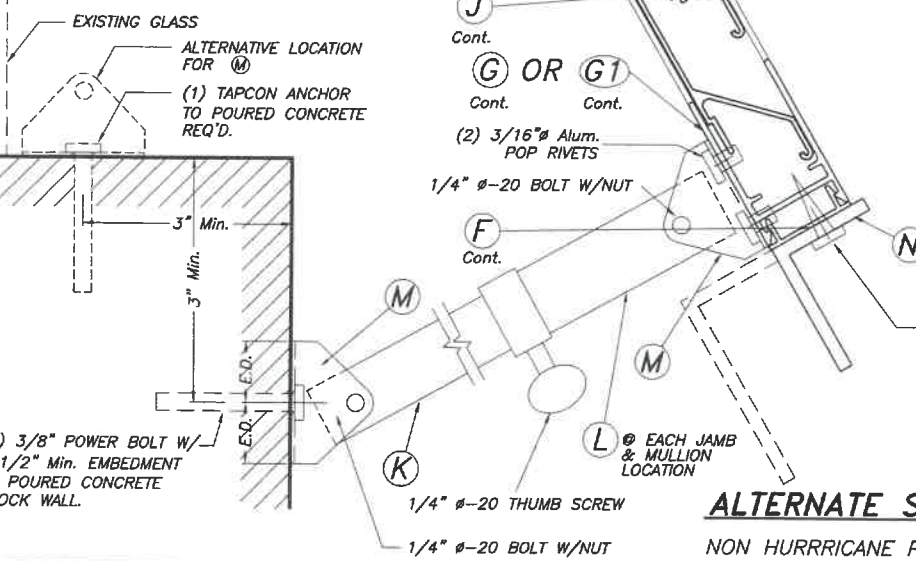
REV. No	DESCRIPTION	DATE	REV. No	DESCRIPTION	DATE
1	OLD 17-104	07/1/2020	3		
2			4		

M.P. DRAWN BY:
07/1/2020 DATE:
20-161 DRAWING No
SHEET 3 OF 9



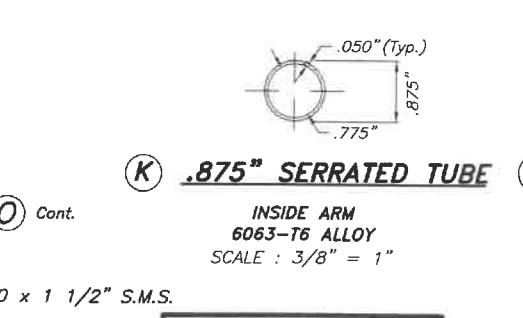
SECTION C - C (WALL MOUNT)

NON HURRICANE POSITION (74 m.p.h. WIND SPEED)
SCALE: 3/8" = 1"



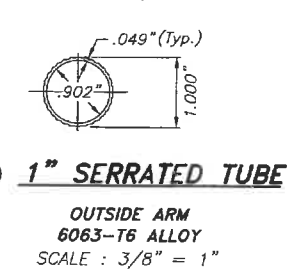
SECTION C - C (WALL MOUNT)

HURRICANE POSITION
SCALE: 3/8" = 1"



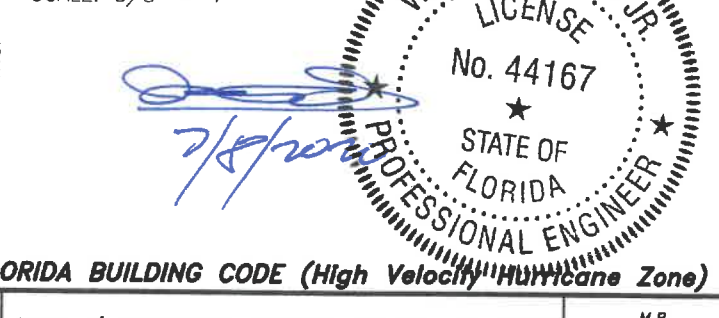
SECTION D - D (BUILD-OUT)

HURRICANE POSITION
SCALE: 3/8" = 1"



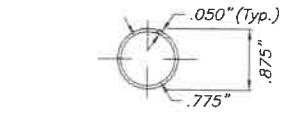
SECTION E - E (BUILD-OUT)

HURRICANE POSITION
SCALE: 3/8" = 1"

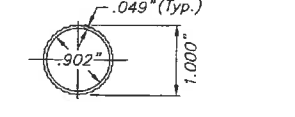


ALTERNATE SECTION C' - C' (WALL MOUNT)

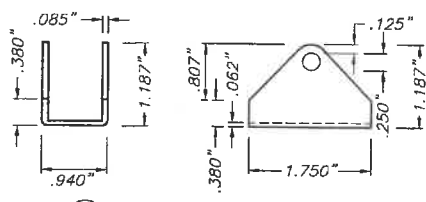
NON HURRICANE POSITION SCALE: 3/8" = 1"



(K) .875\" SERRATED TUBE
INSIDE ARM
6063-T6 ALLOY
SCALE: 3/8" = 1"

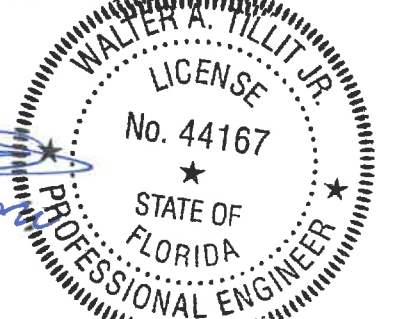


(L) 1\" SERRATED TUBE
OUTSIDE ARM
6063-T6 ALLOY
SCALE: 3/8" = 1"



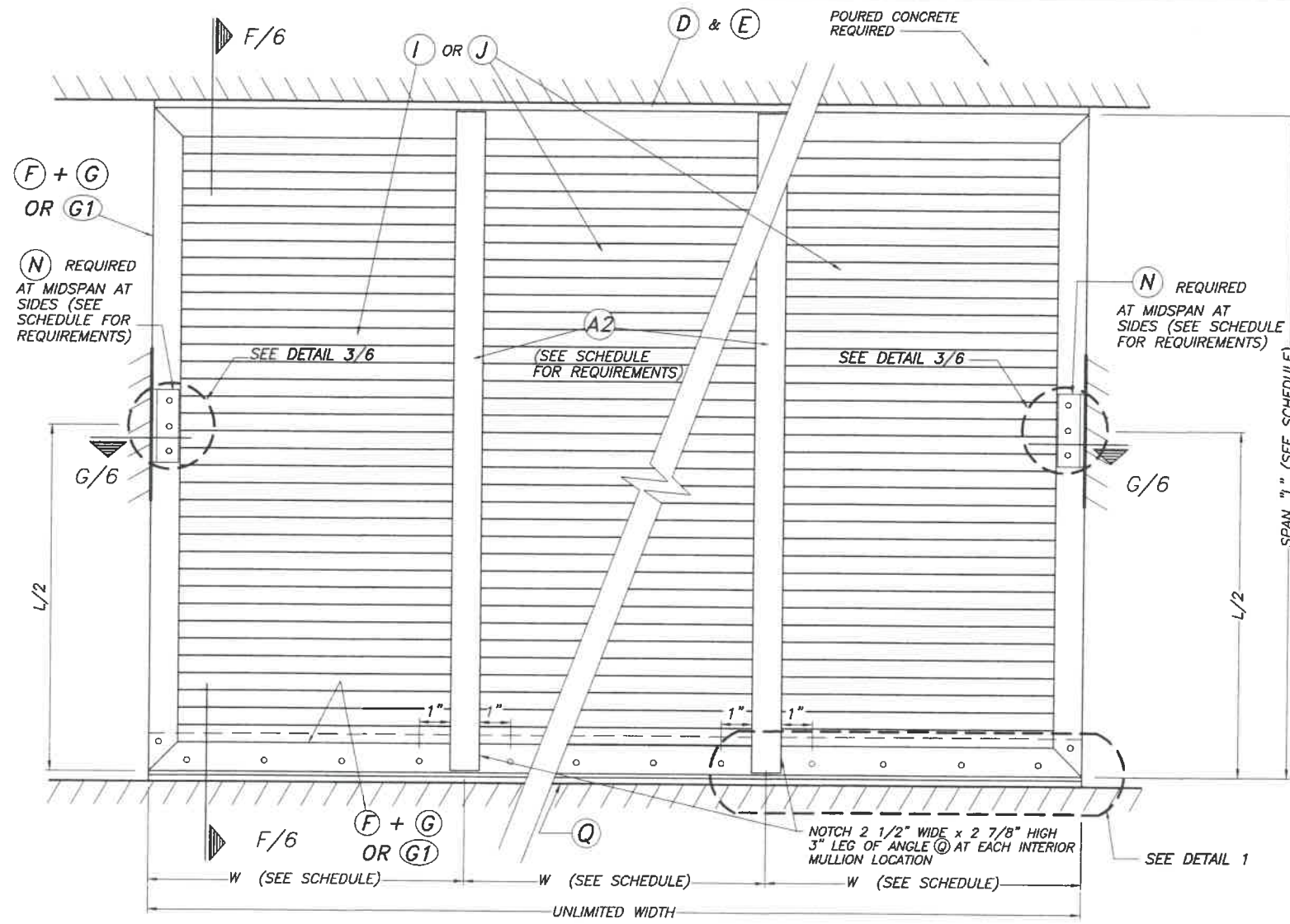
(M) CAMEL BACK HINGE
3003-H14 Alum. ALLOY
SCALE: 3/8" = 1"

NOTE:
E. D. = 3 1/2" Min.

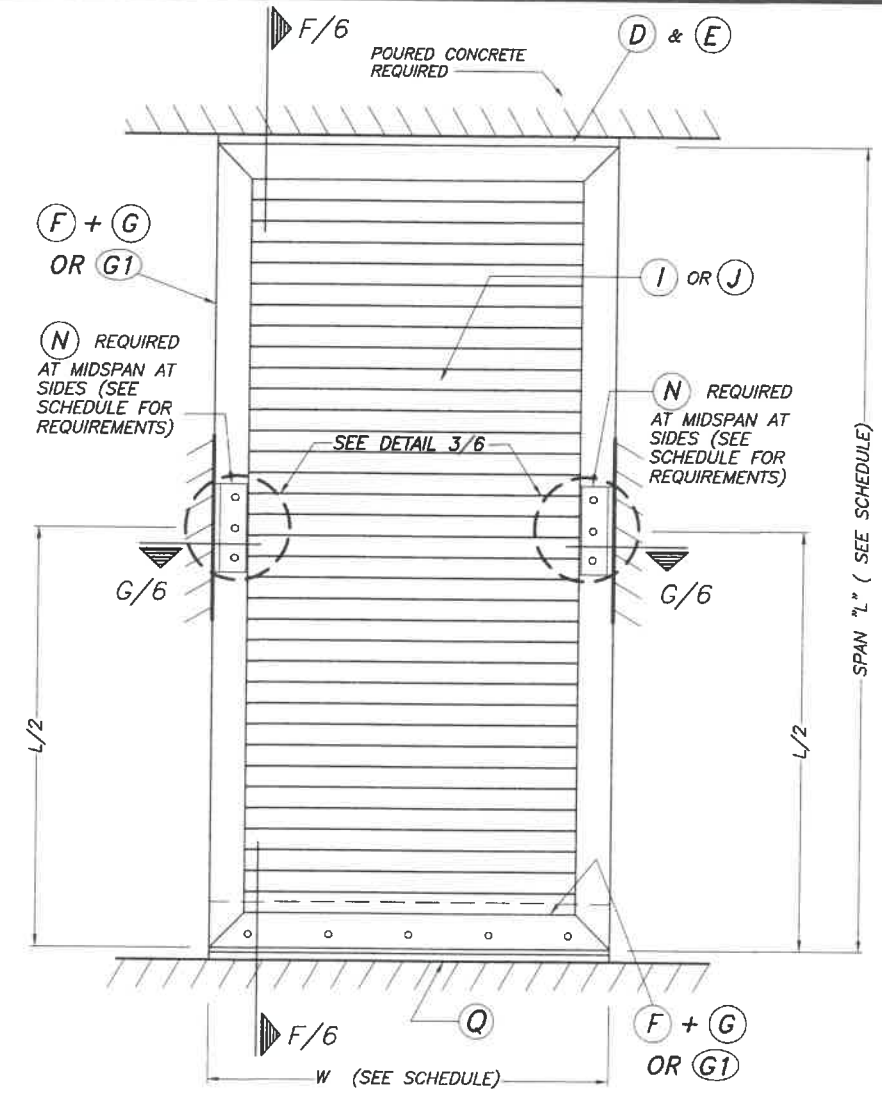


FLORIDA BUILDING CODE (High Velocity Hurricane Zone)

©2020 TILTECO, INC.		ASSA / EXTRUDED BERTHA BAHAMA SHUTTER		M.P.	
<p>TILLIT TESTING & ENGINEERING COMPANY 6355 N.W. 38th. St., Ste. 305, VIRGINIA GARDENS, FLORIDA 33166 Phone: (305)871-1530 Fax: (305)871-1531 CA-0006719 WALTER A. TILLIT Jr., P.E. FLORIDA Lic. # 44167</p>		AMERICAN SHUTTER SYSTEMS ASSOC., INC.		DRAWN BY:	
		<p>4268 WEST ROADS DRIVE WEST PALM BEACH, FL. 33407 PHONE: (800)432-2204, FAX: (561)209-8380</p>		07/1/2020	
				DATE:	
				20-161	
				DRAWING No	
REV. No	DESCRIPTION	DATE	REV. No	DESCRIPTION	DATE
1	OLD 17-104	07/1/2020	3		
2			4		
					SHEET 4 OF 9



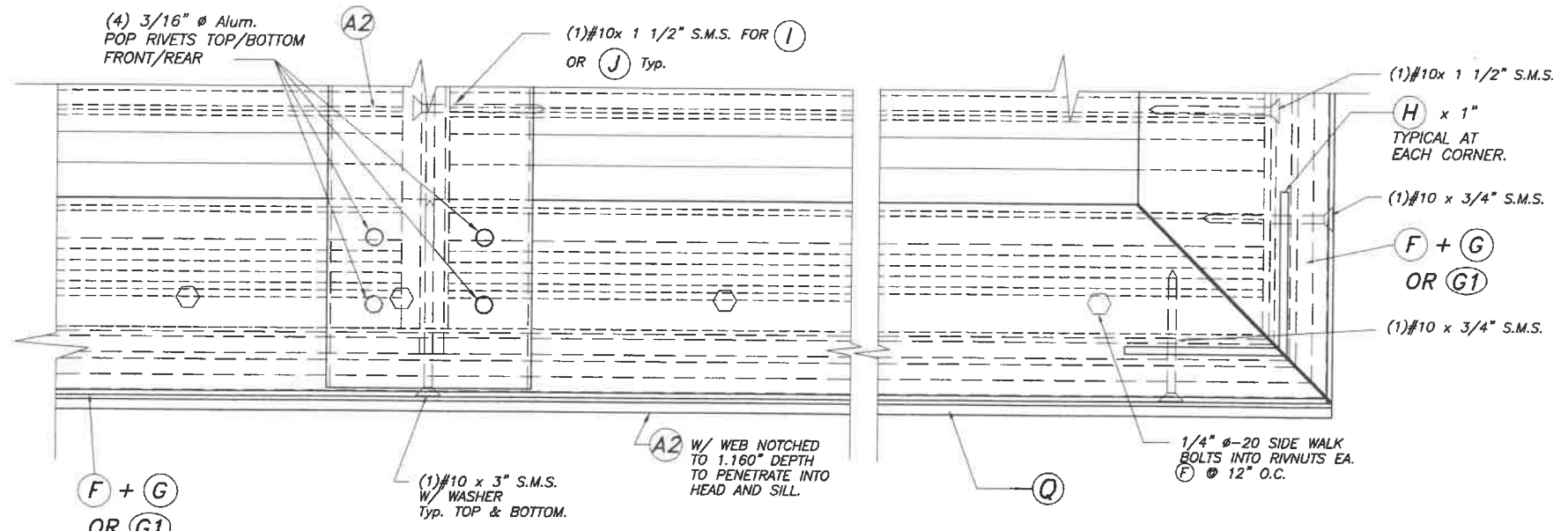
MULTIPLE UNIT



SINGLE UNIT

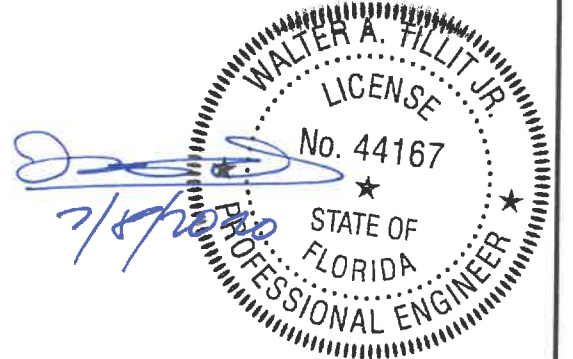
ELEVATIONS

N. T. S.



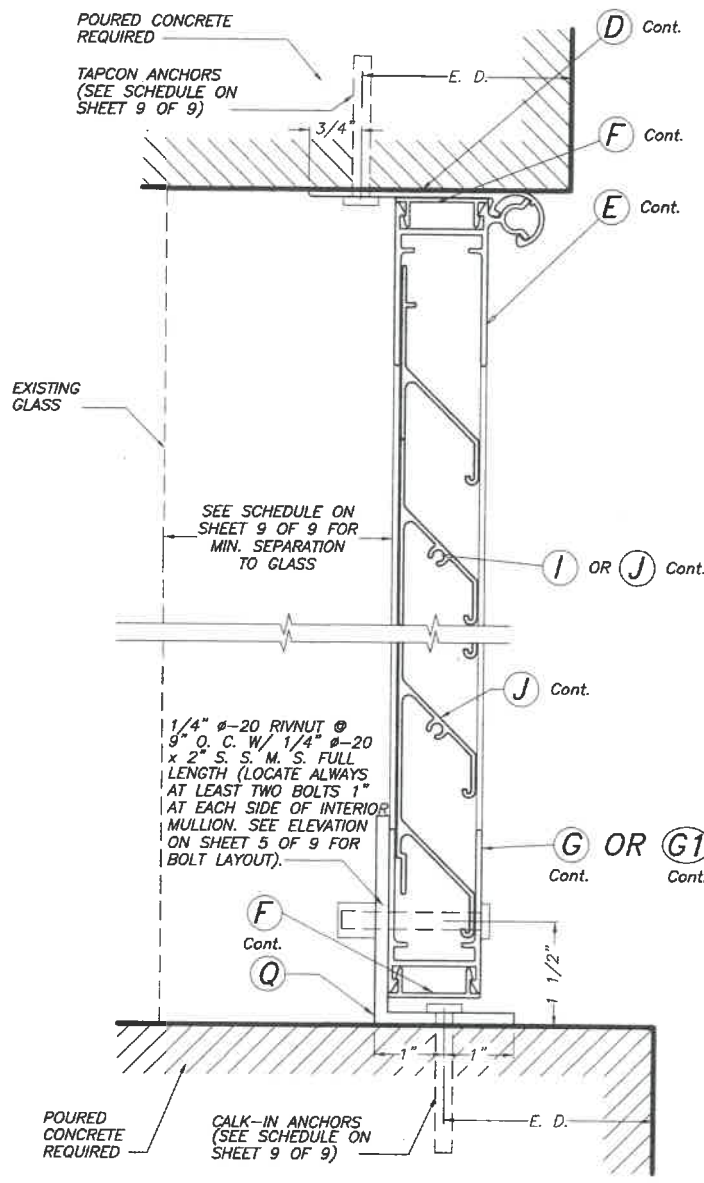
DETAIL 1

SCALE : 1/2" = 1"

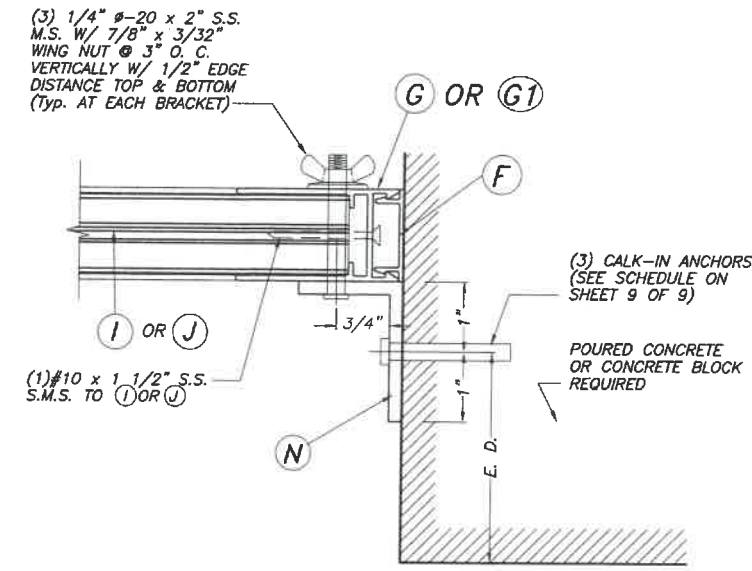


FLORIDA BUILDING CODE (High Velocity Hurricane Zone)

<p>©2020 TILTECO, INC.</p> <p>TILTECO INC.</p> <p>TILLIT TESTING & ENGINEERING COMPANY 6355 N.W. 36th St., Ste. 305, VIRGINIA GARDENS, FLORIDA 33168 Phone : (305)871-1530 . Fax : (305)871-1531 CA-0006719 WALTER A. TILLIT Jr., P.E. FLORIDA Lic. # 44167</p>		<p>ASSA / EXTRUDED BERTHA BAHAMA SHUTTER</p> <p>AMERICAN SHUTTER SYSTEMS ASSOC., INC.</p> <p>4268 WEST ROADS DRIVE WEST PALM BEACH, FL. 33407 PHONE: (800)432-2204, FAX: (561)209-8380</p>		<p>M.P. DRAWN BY:</p> <p>07/1/2020 DATE:</p> <p>20-161 DRAWING No</p>	
REV. No	DESCRIPTION	DATE	REV. No	DESCRIPTION	DATE
1	OLD 17-104	07/1/2020	3		
2			4		

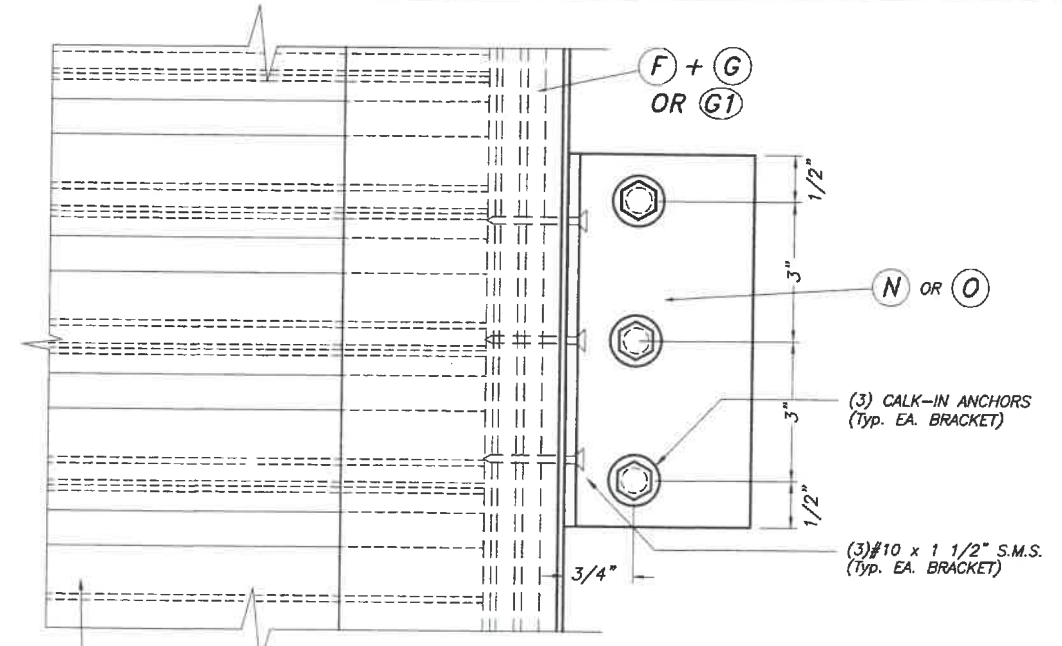


SECTION F - F (TRAPPED MOUNT)
HURRICANE POSITION
SCALE: 3/8" = 1"

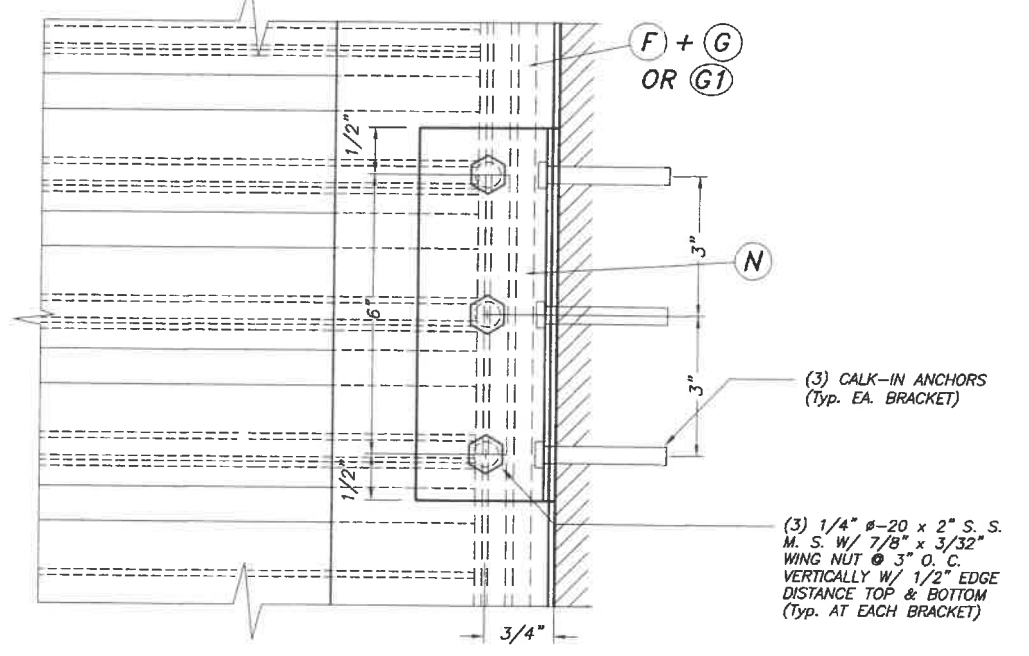


SECTION G - G
(TRAPPED MOUNT)
HURRICANE POSITION
SCALE: 3/8" = 1"

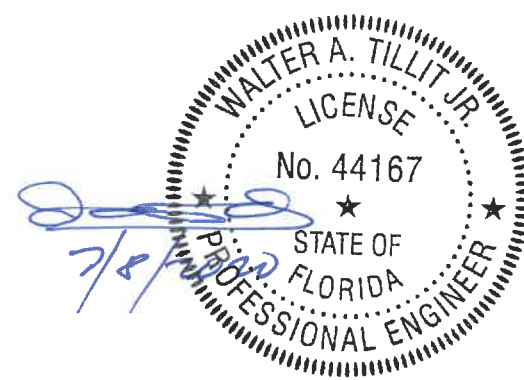
NOTE:
E. D. = 3 1/2" Min.



DETAIL 2 WALL MOUNT.
SCALE: 1/2" = 1"

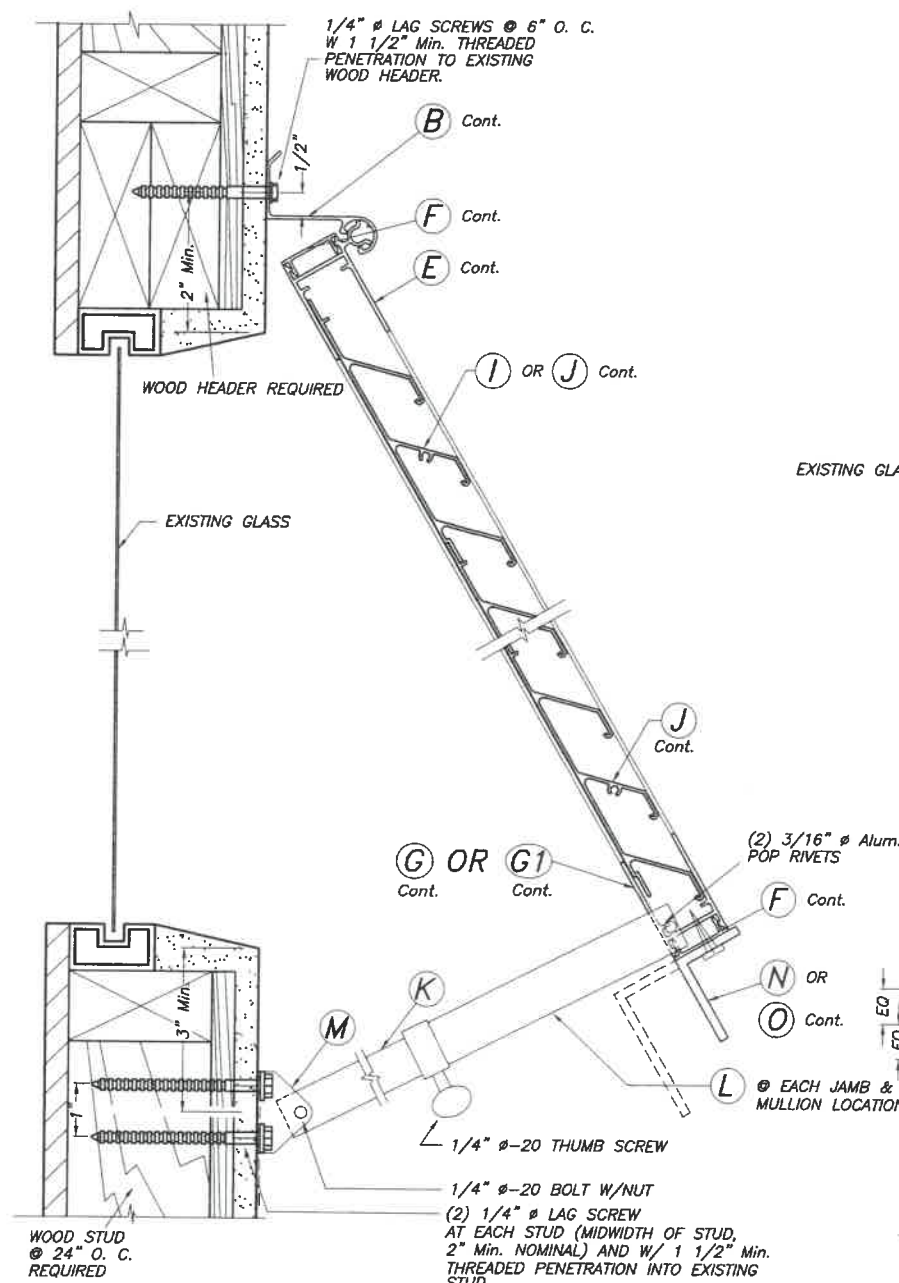


DETAIL 3 TRAPPED
SCALE: 1/2" = 1"

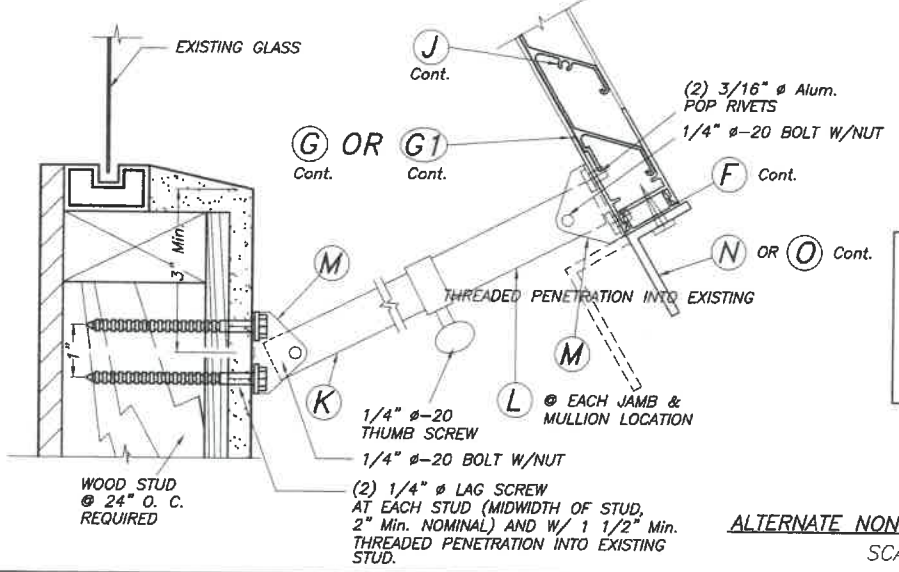


FLORIDA BUILDING CODE (High Velocity Hurricane Zone)

© 2020 TILTECO, INC.		ASSA / EXTRUDED BERTHA BAHAMA SHUTTER		M.P. DRAWN BY:	
 TILLIT TESTING & ENGINEERING COMPANY 6355 N.W. 36th St., Ste. 305, VIRGINIA GARDENS, FLORIDA 33166 Phone: (305)871-1530 Fax: (305)871-1531 CA-0006719 WALTER A. TILLIT Jr., P.E. FLORIDA Lic. # 44167		AMERICAN SHUTTER SYSTEMS ASSOC., INC.		07/1/2020 DATE:	
		4268 WEST ROADS DRIVE WEST PALM BEACH, FL. 33407 PHONE: (800)432-2204 FAX: (561)209-8380		20-161 DRAWING No	
REV. No	DESCRIPTION	DATE	REV. No	DESCRIPTION	DATE
1	OLD 17-104	07/1/2020	3		
2			4		

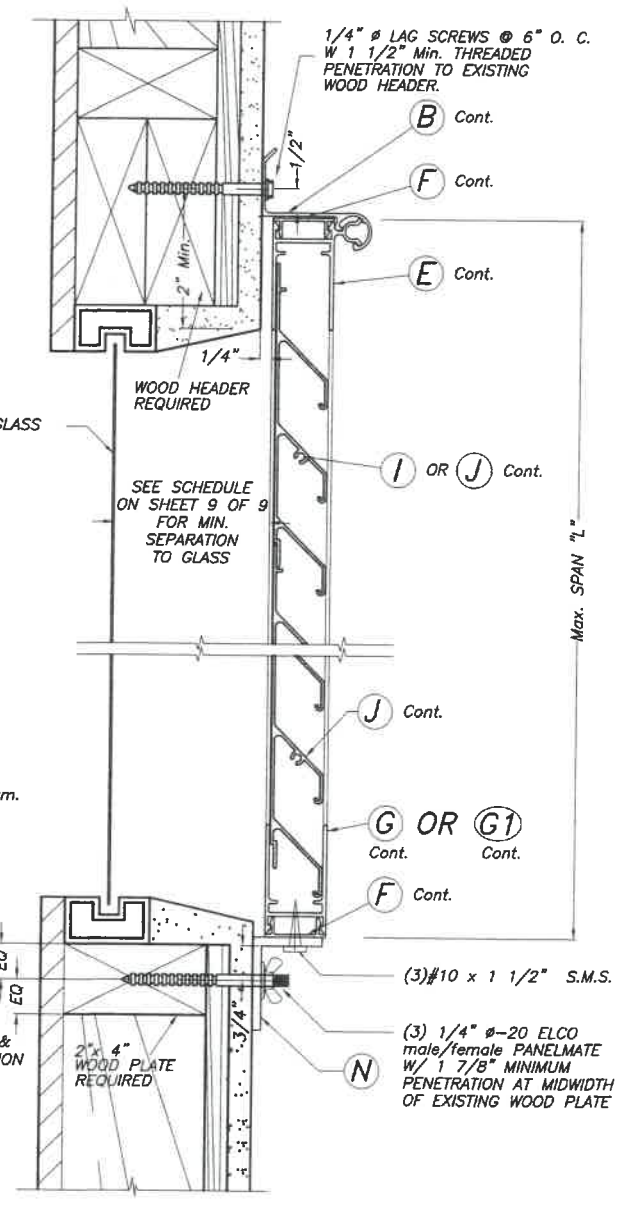


NON HURRICANE POSITION DETAIL: (74 m.p.h. OR LESS WIND SPEED)
SCALE: 3/8" = 1"

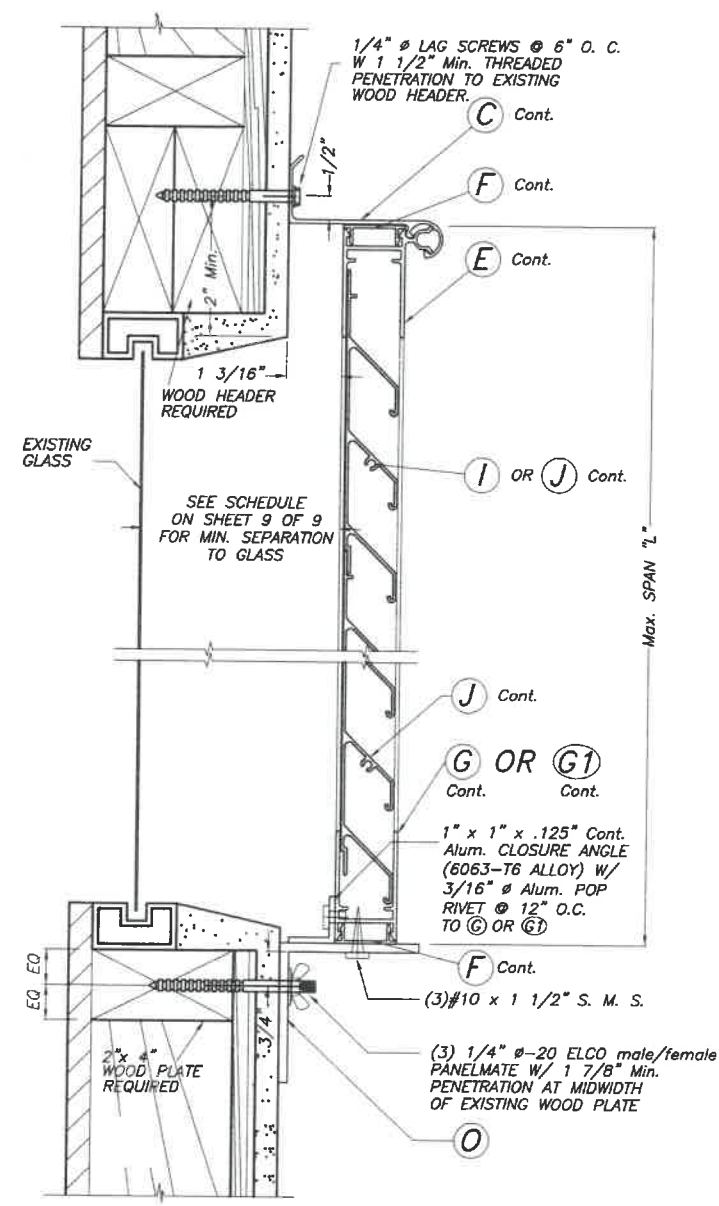


ALTERNATE NON HURRICANE POSITION DETAIL
SCALE: 3/8" = 1"

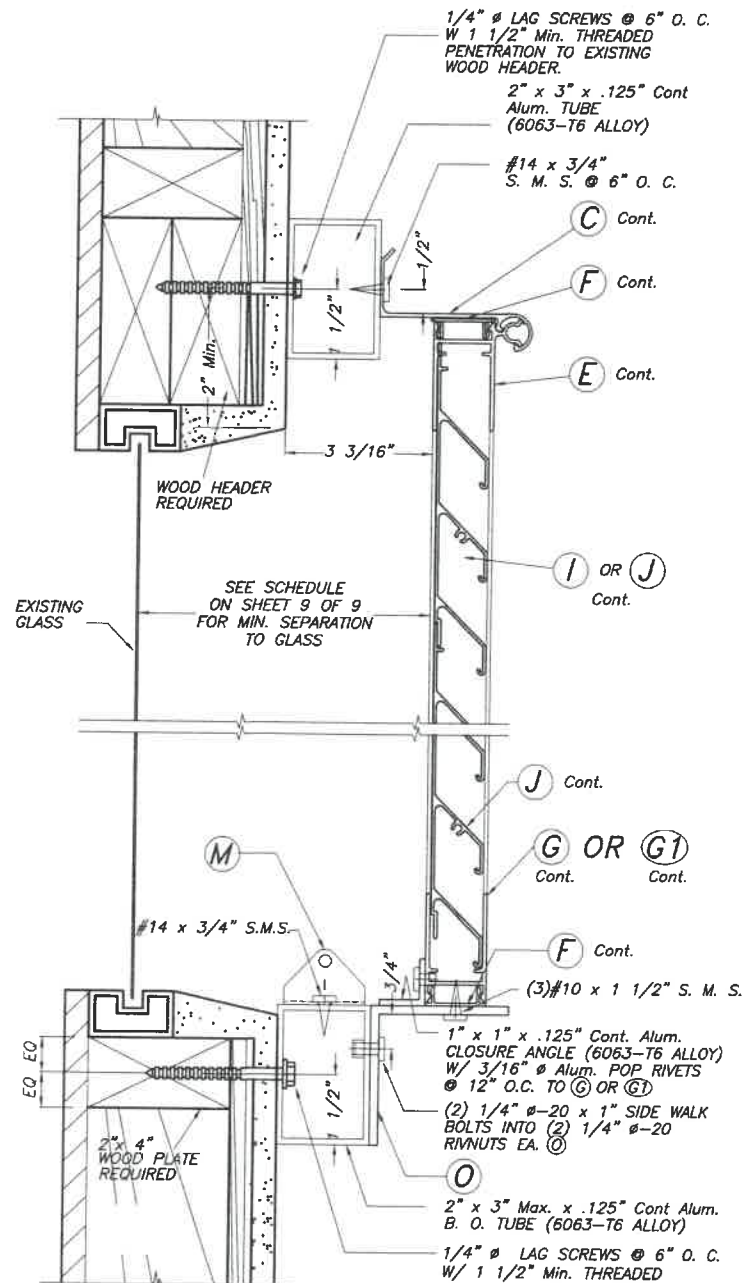
- NOTES:**
- INSTALLATIONS ARE ONLY VALID FOR INSTALLATIONS WITH A.S.D. DESIGN PRESSURE RATING LESS OR EQUAL THAN +62.0, -75.0 p.s.f. AND Max. SHUTTER SPAN AS PER SCHEDULES ON SHEET 9 OF 9.
 - FOR NEW WOOD FRAME CONSTRUCTION: WOOD MEMBERS TO BE SOUTHERN PINE No. 2, W/ SPECIFIC DENSITY OF 0.55 OR EQUAL.



ALTERNATIVE 1
HURRICANE POSITION
SCALE: 3/8" = 1"

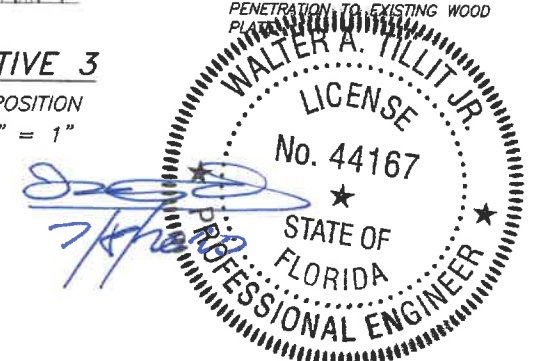


ALTERNATIVE 2
HURRICANE POSITION
SCALE: 3/8" = 1"



ALTERNATIVE 3
HURRICANE POSITION
SCALE: 3/8" = 1"

WALL MOUNTING INSTALLATION & BUILD-OUT
- SECTION A
INSTALLATION DETAILS ON EXISTING WOOD BUILDINGS



FLORIDA BUILDING CODE (High Velocity Hurricane Zone)

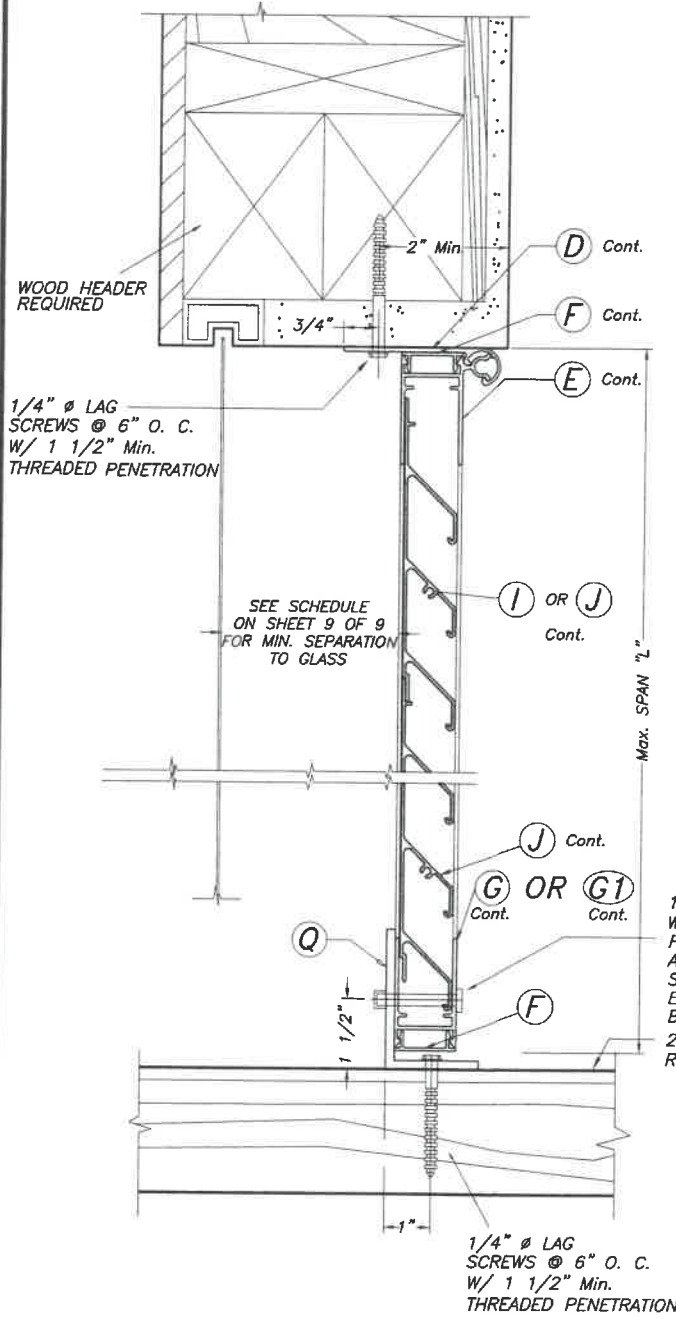
©2020 TILTECO, INC.

TILTECO INC.

TILLIT TESTING & ENGINEERING COMPANY
6355 N.W. 36th. St., Ste. 305, VIRGINIA GARDENS, FLORIDA 33166
Phone : (305)871-1530 - Fax : (305)871-1531
CA-0006719
WALTER A. TILLIT Jr., P.E.
FLORIDA Lic. # 44167

ASSA / EXTRUDED BERTHA BAHAMA SHUTTER		M.P. DRAWN BY:	
AMERICAN SHUTTER SYSTEMS ASSOC., INC.		07/1/2020 DATE:	
4268 WEST ROADS DRIVE WEST PALM BEACH, FL 33407 PHONE: (800)432-2204, FAX: (561)209-8380		20-161 DRAWING No	
REV. No	DESCRIPTION	DATE	REV. No
1	OLD 17-104	07/1/2020	3
2			4

SHEET 7 OF 9



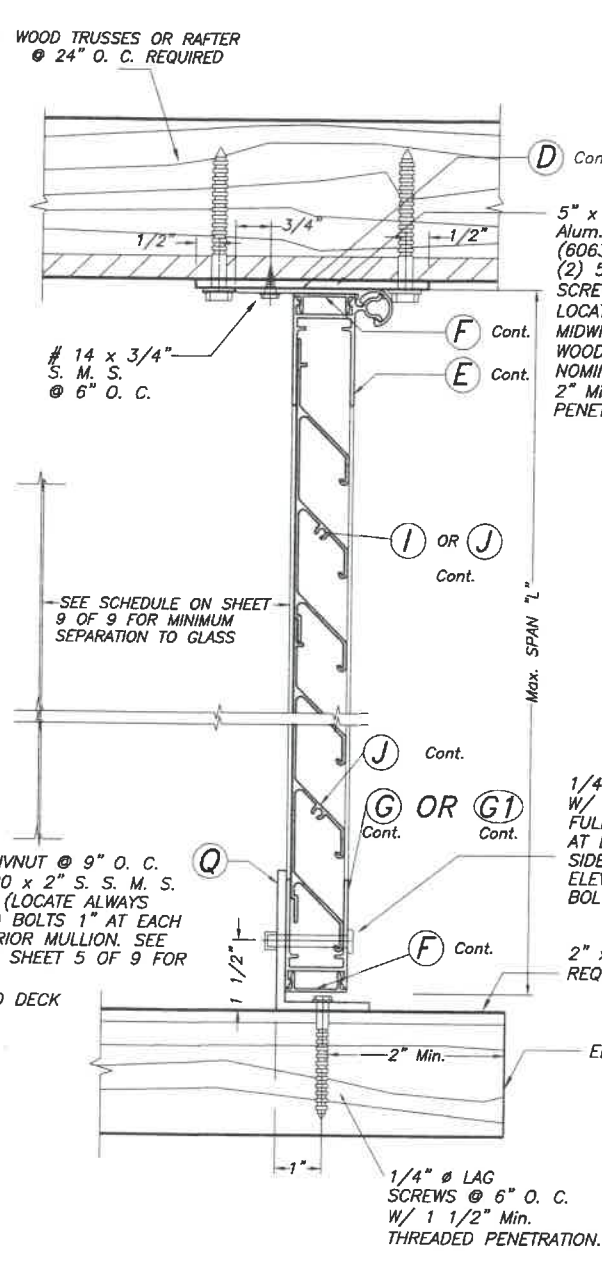
ALTERNATIVE 4A

FLOOR/CEILING MOUNTING INSTALLATION

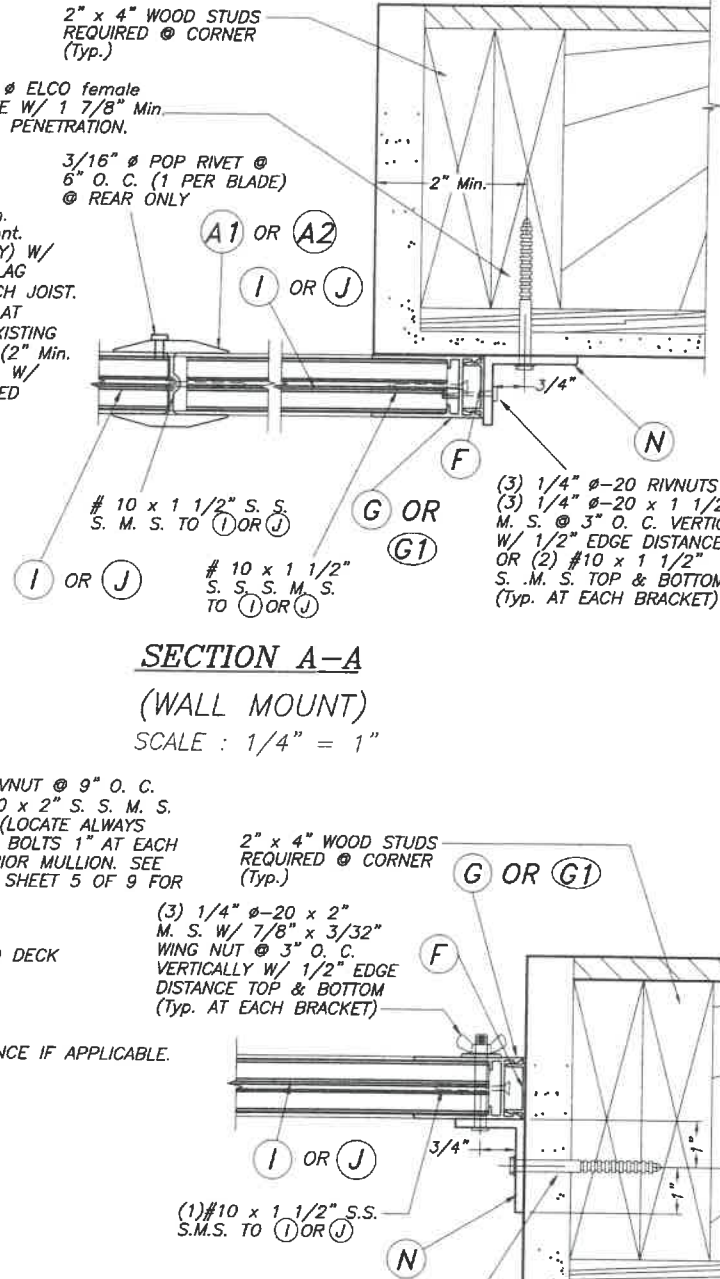
- SECTION A

SCALE: 1/4" = 1"

INSTALLATION DETAILS ON EXISTING WOOD BUILDINGS



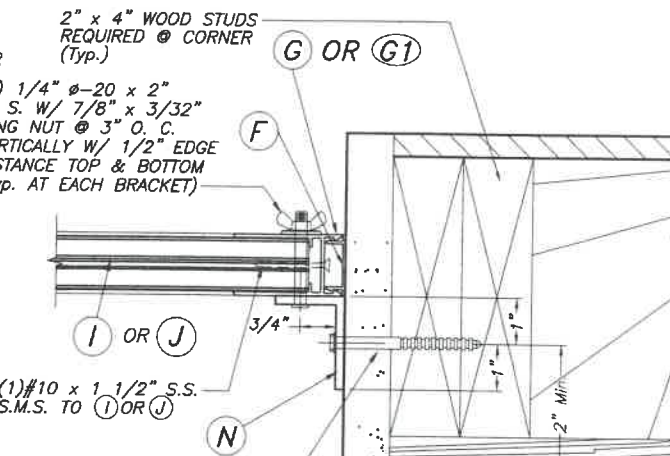
ALTERNATIVE 4B



SECTION A-A

(WALL MOUNT)

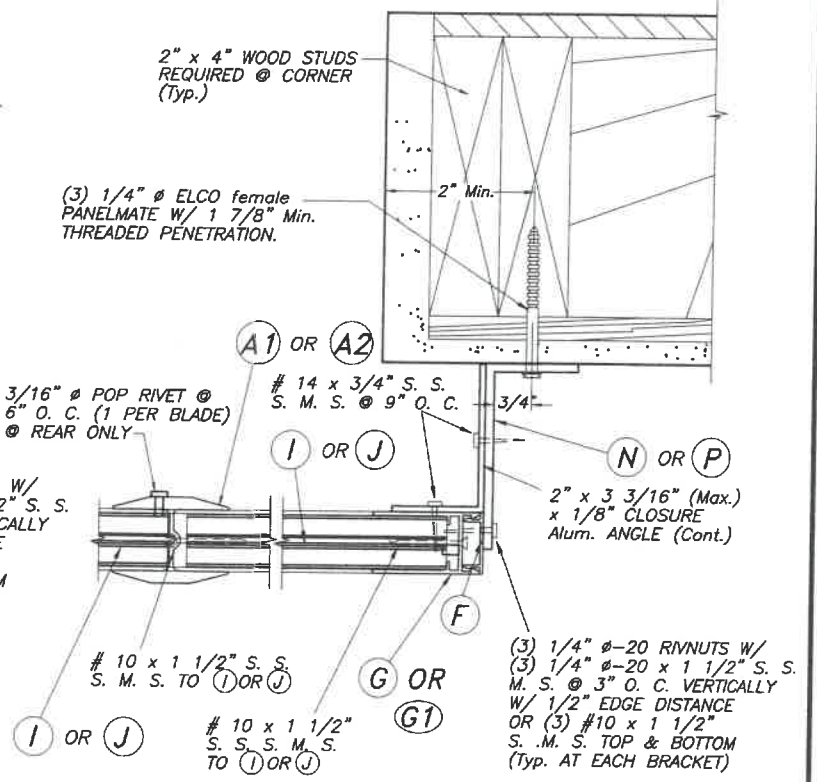
SCALE: 1/4" = 1"



SECTION G-G

(FLOOR/CEILING MOUNT)

SCALE: 1/4" = 1"

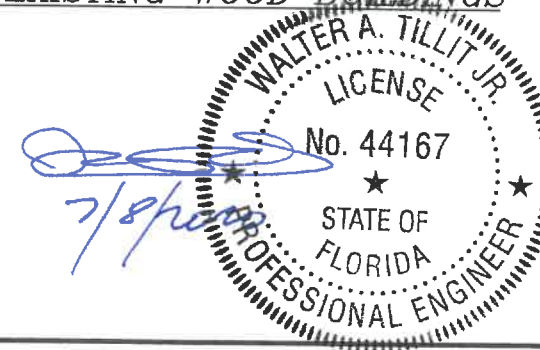


SECTION B-B

(WALL MOUNT)

SCALE: 1/4" = 1"

- NOTES:**
- INSTALLATIONS ARE ONLY VALID FOR INSTALLATIONS WITH A.S.D. DESIGN PRESSURE RATING LESS OR EQUAL THAN +62.0, -75.0 p.s.f. AND Max. SHUTTER SPAN AS PER SCHEDULES ON SHEET 9 OF 9.
 - FOR NEW WOOD FRAME CONSTRUCTION: WOOD MEMBERS TO BE SOUTHERN PINE No. 2, W/ SPECIFIC DENSITY OF 0.55 OR EQUAL.



©2020 TILTECO, INC.

TILTECO INC.

TILLIT TESTING & ENGINEERING COMPANY
6355 N.W. 36th St., Ste. 305, VIRGINIA GARDENS, FLORIDA 33168
Phone: (305)871-1530 Fax: (305)871-1531
CA-0006719
WALTER A. TILLIT Jr., P.E.
FLORIDA Lic. # 44167

FLORIDA BUILDING CODE (High Velocity Hurricane Zone)

ASSA / EXTRUDED BERTHA BAHAMA SHUTTER		M.P. DRAWN BY:	
AMERICAN SHUTTER SYSTEMS ASSOC., INC.		07/1/2020 DATE:	
4268 WEST ROADS DRIVE WEST PALM BEACH, FL. 33407 PHONE: (800)432-2204, FAX: (561)209-8380		20-161 DRAWING No	
REV. No	DESCRIPTION	DATE	REV. No
1	OLD 17-104	07/1/2020	3
2			4

SHEET 8 OF 9

SCHEDULE # 1

MAXIMUM SINGLE UNIT FOR A CORRESPONDING A.S.D. DESIGN PRESSURE RATING AND MOUNTING TYPE

A.S.D. DESIGN PRESSURE RATING (p.s.f.) AND CASE #	MAXIMUM UNIT WIDTH "W" (IN)	MAXIMUM SPAN "L" (IN)		
		W/O SIDE BRACKET	W/ SIDE BRACKET	MINIMUM SEPARATION TO GLASS (IN)
		CASES I & II +56.0 , -63.0	42"	52"
CASES I & II +75.0 , -100.0	42"	N/A	96"	2 1/8"

SCHEDULE # 1A

MAXIMUM MULTIPLE UNIT FOR A CORRESPONDING A.S.D. DESIGN PRESSURE RATING AND MOUNTING TYPE

A.S.D. DESIGN PRESSURE RATING (p.s.f.) AND CASE #	MAXIMUM UNIT WIDTH "W" (IN)	MAXIMUM SPAN "L" (IN)			
		W/O SIDE BRACKET	W/ SIDE BRACKET	INTERIOR MULLION TYPE REQUIRED	MINIMUM SEPARATION TO GLASS (IN)
		CASE I +50.0 , -43.3	36 1/2"	72 1/2"	N/A
CASE I +62.0 , -75.0	36 1/2"	N/A	83"	A2	2 3/8"
CASE II +62.0 , -75.0	36 1/2"	N/A	84"	A2	2 3/8"

SCHEDULE # 2

LIMITATIONS FOR SINGLE AND MULTIPLE UNITS BAHAMA SHUTTER'S UNIT WIDTH (IN), SPAN L (IN) AND CORRESPONDING MAXIMUM A.S.D. DESIGN PRESSURE RATING (p.s.f.) FOR THE INSTALLATION OF SIDE & SILL BRACKETS INTO CONCRETE & MASONRY BUILDINGS BY MEANS OF (3) 1/4" Ø x 7/8" CALK-IN ANCHORS *

MAXIMUM NEGATIVE A.S.D. DESIGN PRESSURE RATING (p.s.f.)	SINGLE UNITS				MULTIPLE UNITS			
	W/ SIDE & SILL BRACKETS **				W/ SIDE & SILL BRACKETS **			
	TO CONCRETE		TO BLOCK		TO CONCRETE		TO BLOCK	
	Max. "W"	Max. "L"	Max. "W"	Max. "L"	Max. "W"	Max. "L"	Max. "W"	Max. "L"
-55.7	42"	96"	42"	96"	36 1/2"	84"	36"	75"
-65.0	42"	96"	42"	96"	36 1/2"	84"	36"	65"
-75.0	42"	96"	42"	96"	36 1/2"	83"	28"	55"
-83.0	42"	96"	42"	87"	N/A	N/A	36 1/2"	62"
-100.0	42"	96"	42"	63"	N/A	N/A	24"	83"
			36"	73"	N/A	N/A	N/A	N/A

* FOR ELCO PANELMATES ((3) 1/4" Ø W/ 1 7/8" PENETRATION) USED AT SILL & SIDE BRACKETS FOR INSTALLATIONS INTO WOOD. SEE SCHEDULES # 1 & # 1A FOR SHUTTER SIZE.

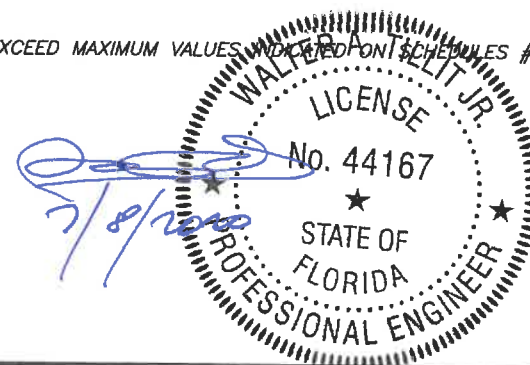
** IN ANY CASE, MAXIMUM "W" & "L" VALUES W/ CORRESPONDING A.S.D. DESIGN PRESSURE RATING SHALL NOT EXCEED MAXIMUM VALUES INDICATED ON SCHEDULES # 1 & 1A.

SCHEDULE # 3

MAXIMUM ANCHOR SPACING AT TOP FEMALE HINGES (B), (C), OR (D) AS WELL AS SILL ANGLE (Q) AT BOTTOM (AS APPLICABLE) FOR INSTALLATIONS INTO POURED CONCRETE HEADERS AND SILL ***

A.S.D. DESIGN PRESSURE RATING (p. s. f.)	SINGLE & MULTIPLE UNITS
	TOP & BOTTOM TO CONCRETE
ALL PRESSURES COVERED IN SCHEDULE # 1 & # 1A	9" O.C. TOP & 7" O.C. BOTTOM.

*** SEE SHEETS 7 & 8 OF 9 FOR ANCHOR SPACING FOR INSTALLATIONS INTO WOOD FRAME BUILDINGS.



©2020 TILTECO, INC.

TILTECO INC.

TILLIT TESTING & ENGINEERING COMPANY
6355 N.W. 36th St., Ste. 305, VIRGINIA GARDENS, FLORIDA 33168
Phone: (305)871-1530 • Fax: (305)871-1531
CA-0006719
WALTER A. TILLIT JR., P.E.
FLORIDA Lic. # 44167

FLORIDA BUILDING CODE (High Velocity Hurricane Zone)

ASSA / EXTRUDED BERTHA BAHAMA SHUTTER	M.P. DRAWN BY:
AMERICAN SHUTTER SYSTEMS ASSOC., INC. 4268 WEST ROADS DRIVE WEST PALM BEACH, FL 33407 PHONE: (800)432-2204, FAX: (561)209-8380	07/1/2020 DATE:
REV. No 1 DESCRIPTION OLD 17-104 DATE 07/1/2020	REV. No 3 DESCRIPTION DATE
REV. No 2	REV. No 4
20-161 DRAWING No	
SHEET 9 OF 9	